

| MATERIAL NO. | ENGINEERING NO. | FINISHED LENGTH   |
|--------------|-----------------|-------------------|
| 1201080689   | E11A06304M003   | 0FT 11.8IN (0.3M) |
| 1201080732   | E11A06304M450   | 147FT 7.6IN (45M) |
| 1201080710   | E11A06304M850   | 278FT 10IN (85M)  |

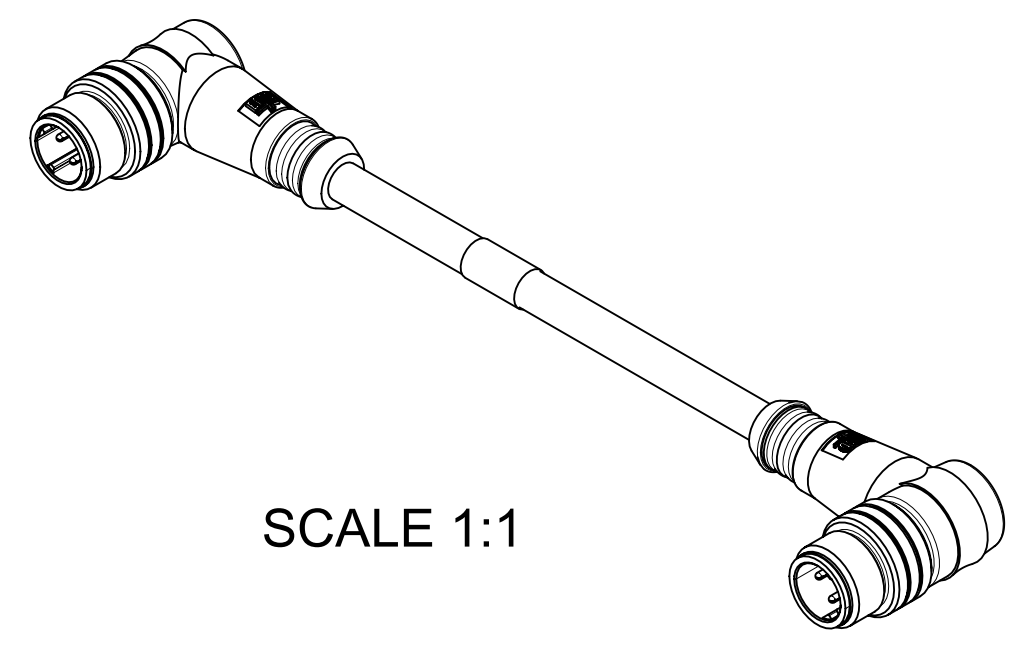
- NOTES:
1. MATERIAL: AS NOTED
  2. FINISH: AS NOTED
  3. ELECTRICAL SPECIFICATIONS  
VOLTAGE RATING: 30V  
CURRENT RATING: 1.5A
  4. TEMP RANGE: -20°C TO +75°C
  5. PROTECTION: IP67 (WHEN MATED)
  6. COUPLING NUT: M12 X 1.0
  7. UL FILE: E361772
  8. ALL DIMS ARE FOR REFERENCE UNLESS TOLERANCED OR NOTED OTHERWISE

PART NO. MATRIX  
E11A06304M005

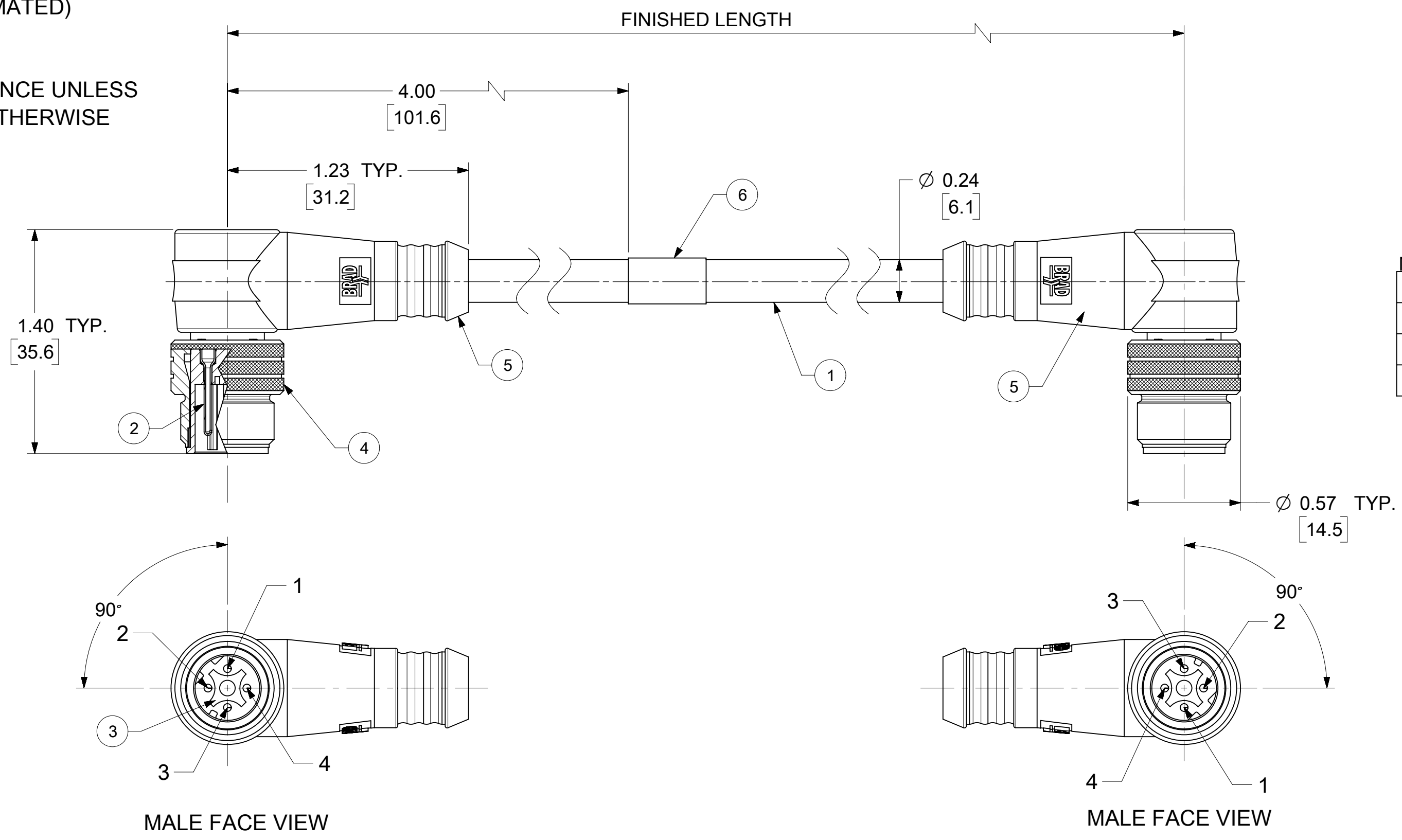
FINISHED LENGTH  
M005= 0.5 METER  
M010= 1 METER  
M100= 10 METER

CABLE LENGTH TOLERANCES

|                          |                         |
|--------------------------|-------------------------|
| <.3M [1FT]:              | +19mm-0 [+ .75in-0]     |
| .3 - .9M [1 - 3FT]:      | +44.5mm-0 [+1.75in-0]   |
| .9 - 1.8M [3 - 6FT]:     | +55.6mm-0 [+2.19in-0]   |
| 1.8 - 3.7M [6 - 12FT]:   | +88.9mm-0 [+3.50in-0]   |
| 3.7 - 7.3M [12 - 24FT]:  | +165.1mm-0 [+6.50in-0]  |
| 7.3-14.6M [24 - 48FT]:   | +317.5mm-0 [+12.50in-0] |
| 14.6 - 30.5M [48-100FT]: | +622.3mm-0 [+24.50in-0] |
| OVER 30M [100FT]         | +2% OF FINISHED LENGTH  |



SCALE 1:1



WIRING DIAGRAM

| MALE |              | MALE |
|------|--------------|------|
| 1    | WHITE/ORANGE | 1    |
| 2    | WHITE/GREEN  | 2    |
| 3    | ORANGE       | 3    |
| 4    | GREEN        | 4    |

MECHANICAL CHARACTERISTICS:

|                 |   |
|-----------------|---|
| FLEX LIFE       | (126 CYCLES/MIN @ 20° C)<br>1 MILLION CYCLE TEST (10X CABLE O.D., MINIMUM RADIUS)<br>10 MILLION CYCLE TEST (20X CABLE O.D., MINIMUM RADIUS) |
| TORSIONAL FLEX: | (1 LB LOAD, 360°, 71 CYCLES/MIN @ 20° C)<br>3 MILLION CYCLE TEST  |

| ITEM | DESCRIPTION               | MATERIAL     | FINISH        |
|------|---------------------------|--------------|---------------|
| 6    | LABEL                     | VINYL        | BLACK/YELLOW  |
| 5    | OVERMOLD                  | TPC          | BLACK         |
| 4    | COUPLING NUT M12 MALE     | BRASS        | NICKEL/TEFLON |
| 3    | INSERT D-CODE 4 POLE MALE | PUR          | BLACK         |
| 2    | CONTACT PIN               | COPPER ALLOY | GOLD PLATED   |
| 1    | CABLE, ETHERNET, 24-4     | TPE JACKET   | TEAL          |

|  |   |                        |                            |
|--|---|------------------------|----------------------------|
| FUNCTIONAL SYMBOLS                                   | THIS DRAWING CONTAINS INFORMATION THAT IS PROPRIETARY TO MOLEX ELECTRONIC TECHNOLOGIES, LLC AND SHOULD NOT BE USED WITHOUT WRITTEN PERMISSION |                        |                            |
| DIMENSION UNITS                                      | INCH/MM   | SCALE                  | 2:1                        |
| GENERAL TOLERANCES (UNLESS SPECIFIED)                | CURRENT REV DESC: INITIAL RELEASE, PVC CHANGED TO TPC   |                        |                            |
| 4 PLACES   | ±   | MM                     | ±                          |
| 3 PLACES   | ±   | INCH                   | ±                          |
| 2 PLACES   | ±   |                        | ±                          |
| 1 PLACE  | ±   |                        | ±                          |
| 0 PLACES   | ±   |                        | ±                          |
| DIVISIONAL SYMBOLS                                   | ANGULAR TOL   | ± °                    |                            |
| DRAFT WHERE APPLICABLE MUST REMAIN WITHIN DIMENSIONS |   | THIRD ANGLE PROJECTION | DRAWING SERIES             |
|  |   | C-SIZE                 | 120108                     |
|  |   | EC NO: 648668          | 2020/09/23                 |
|  |   | DRWN: VBASUTHKARP      | 2020/11/11                 |
|  |   | CHK'D: RSTONE          | 2020/11/18                 |
|  |   | APPR: BWOODMAN         |                            |
|  |   | INITIAL REVISION:      |                            |
|  |   | DRWN: VBASUTHKARP      | 2020/09/23                 |
|  |   | APPR: BWOODMAN         | 2020/11/18                 |
| DOCUMENT NUMBER                                      |   | 1201080689             | DOC TYPE DOC PART REVISION |
| MATERIAL NUMBER                                      |   | SEE TABLE              | PSD 000 A                  |
| CUSTOMER   |   | GENERAL MARKET         | SHEET NUMBER               |
|  |   |                        | 1 OF 1                     |

## X-ON Electronics

Largest Supplier of Electrical and Electronic Components

*Click to view similar products for [Sensor Cables / Actuator Cables](#) category:*

*Click to view products by [Molex](#) manufacturer:*

Other Similar products are found below :

[60963](#) [60964](#) [703000D02F2002](#) [703001D02F0602](#) [703001D02F300](#) [704000D02F120](#) [773032K02F030](#) [802027107404-1](#) [802027213811-1](#)  
[804001A09M150](#) [805001A09M0502](#) [84914-0235](#) [84914-0237](#) [885030A09M020](#) [8R4J30E03C3003](#) [1200651332](#) [1200651713](#) [1200660844](#)  
[1200660845](#) [1200661173](#) [1200680071](#) [1200720053](#) [1200720081](#) [1200720099](#) [1200720217](#) [1200800231](#) [1200860125](#) [1200870123](#)  
[1200980102](#) [1200650267](#) [1200650298](#) [1200660183](#) [1200660782](#) [1200660849](#) [1200661295](#) [1200661297](#) [1200661342](#) [1200661343](#)  
[1200670080](#) [1200670220](#) [1200680331](#) [1200720252](#) [1200730184](#) [1200860344](#) [1200870359](#) [1200870643](#) [1200980008](#) [1200980031](#)  
[1210502211](#) [1210400542](#)