

10 9 8 7 6 5 4 3 2 1

F

E

D

C

B

A

F

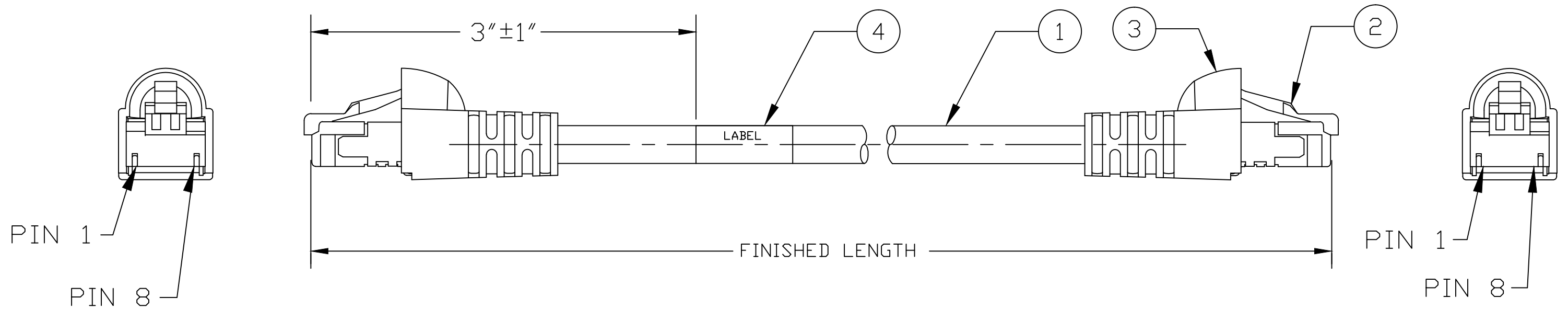
E

D

C

B

A

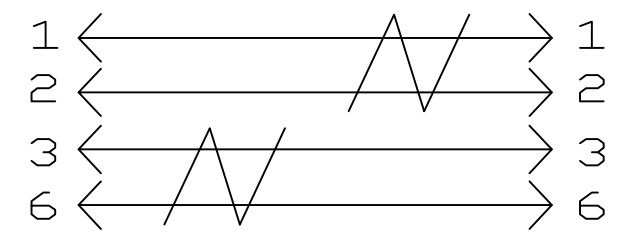


PART NUMBER LEGEND

(B)

E66A06004M005

LENGTH  
M005= 0.5 X LENGTH  
M010= 1.0 X LENGTH  
M100= 10.0 X LENGTH



(B)

CABLE LENGTH TOLERANCES

>.3M [1FT]:	+19mm-0 [+1.75in-0]
.3 - .9M [1 - 3FT]:	+44.5mm-0 [+1.75in-0]
.9 - 1.8M [3 - 6FT]:	+55.6mm-0 [+2.19in-0]
1.8 - 3.7M [6 - 12FT]:	+88.9mm-0 [+3.50in-0]
3.7 - 7.3M [12 - 24FT]:	+165.1mm-0 [+6.50in-0]
7.3-14.6M [24 - 48FT]:	+317.5mm-0 [+12.50in-0]
14.6 - 30.5M [48-100FT]:	+622.3mm-0 [+24.50in-0]
OVER 30M [100FT]	+2% OF FINISHED LENGTH

NOTES:

1. MATERIALS: AS NOTED
2. FINISHES: AS NOTED
3. PACKAGING: PARTS ARE PLACED IN CLEAR POLY BAG WITH BAR-CODE LABEL ATTACHED
4. TIA/EIA RATING: CAT 5E
5. TEMPERATURE RATING: -20°C TO 75°C
6. JACKET RESISTANCE: WELD SLAG, SUN & OIL

(B)

PART NO.	ENGINEERING NO.	FINISHED LENGTH
1201080687	E66A06004M005	0.5M [1'8"]
1201080557	E66A06004M010	1.0M [3'3"]
1201080561	E66A06004M100	10.0M [6'7"]

ITEM	QTY	COMPONENT	MATERIAL	FINISH
4	1	WRAP LABEL	VINYL	BLACK/YELLOW
3	2	BOOT (HOODED)	POLYOLEFIN	BLACK
2	2	RJ45 PLUG	PHOS BRNZ & PC	GOLD PLATE & CLEAR
1	1	CABLE, 24 AWG, 2 PAIR	TPE JACKET	TEAL

CORRECTED PIN LEGEND  
EC NO: IPG2019-0537  
DRWN: RSTONE 6/4/19  
CHKD: C CHRAST 2019/06/06  
APPR: BWOODMAN 2015/04/10

QUALITY SYMBOLS  
▽=0  
∇=0

GENERAL TOLERANCES (UNLESS SPECIFIED)

	mm	INCH
4 PLACES	±---	±---
3 PLACES	±---	±---
2 PLACES	±---	±.01
1 PLACE	±---	±---

ANGULAR ±---°

DRAFT WHERE APPLICABLE MUST REMAIN WITHIN DIMENSIONS

DIMENSION STYLE  
**INCH**

DRAWN BY: RSTONE DATE: 2015/04/06  
CHECKED BY: B ARDEN DATE: 2015/04/08  
APPROVED BY: KJOZWIK DATE: 2015/04/10

MATERIAL NO. -

SIZE **B**

SCALE ---  
DESIGN UNITS **INCH**

THIRD ANGLE PROJECTION

TITLE  
**MALE/MALE RJ45 CORDSET  
2PR 10 BASE-T  
24 AWG TEAL TPE CABLE**

**MOLEX INCORPORATED**

DOCUMENT NO. **SD-120108-080** SHEET NO. **1 OF 1**

THIS DRAWING CONTAINS INFORMATION THAT IS PROPRIETARY TO MOLEX INCORPORATED AND SHOULD NOT BE USED WITHOUT WRITTEN PERMISSION

10 9 8 7 6 5 4 3 2 1

## X-ON Electronics

Largest Supplier of Electrical and Electronic Components

*Click to view similar products for [Sensor Cables / Actuator Cables](#) category:*

*Click to view products by [Molex](#) manufacturer:*

Other Similar products are found below :

[60963](#) [60964](#) [703000D02F2002](#) [703001D02F0602](#) [703001D02F300](#) [704000D02F120](#) [773032K02F030](#) [802027107404-1](#) [802027213811-1](#)  
[804001A09M150](#) [805001A09M0502](#) [84914-0235](#) [84914-0237](#) [885030A09M020](#) [8R4J30E03C3003](#) [1200651332](#) [1200651713](#) [1200660844](#)  
[1200660845](#) [1200661173](#) [1200680071](#) [1200720053](#) [1200720081](#) [1200720099](#) [1200720217](#) [1200800231](#) [1200860125](#) [1200870123](#)  
[1200980102](#) [1200650267](#) [1200650298](#) [1200660183](#) [1200660782](#) [1200660849](#) [1200661295](#) [1200661297](#) [1200661342](#) [1200661343](#)  
[1200670080](#) [1200670220](#) [1200680331](#) [1200720252](#) [1200730184](#) [1200860344](#) [1200870359](#) [1200870643](#) [1200980008](#) [1200980031](#)  
[1210502211](#) [1210400542](#)