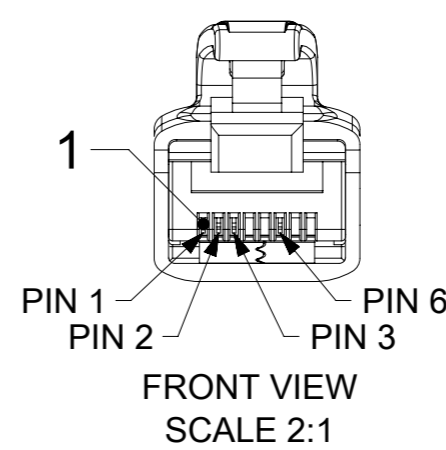
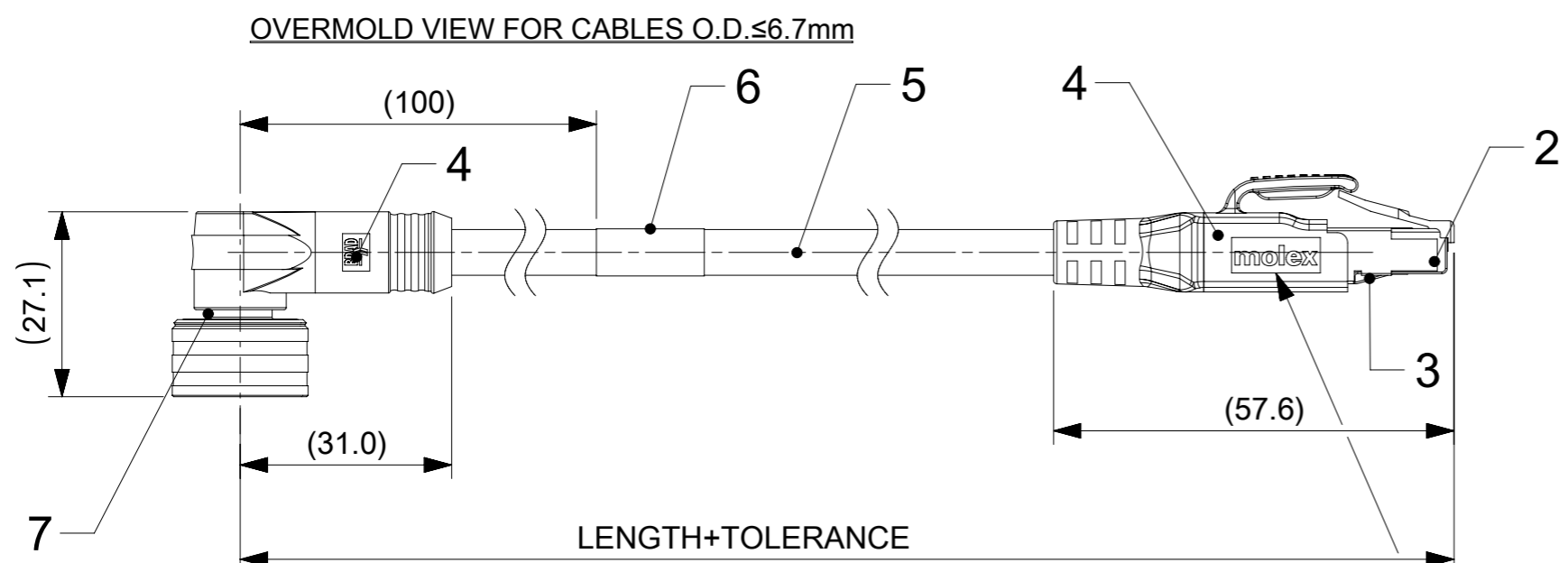
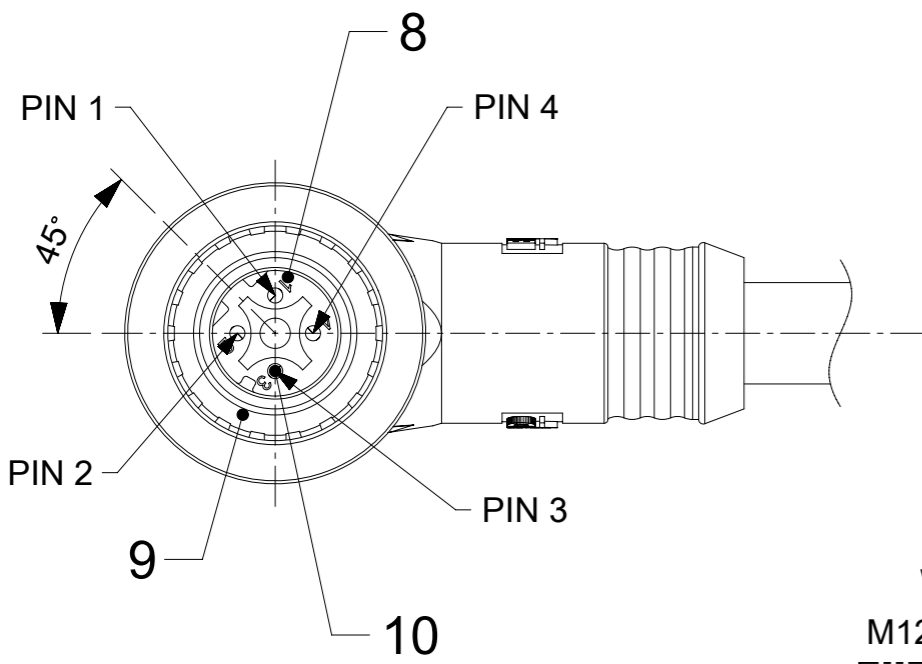
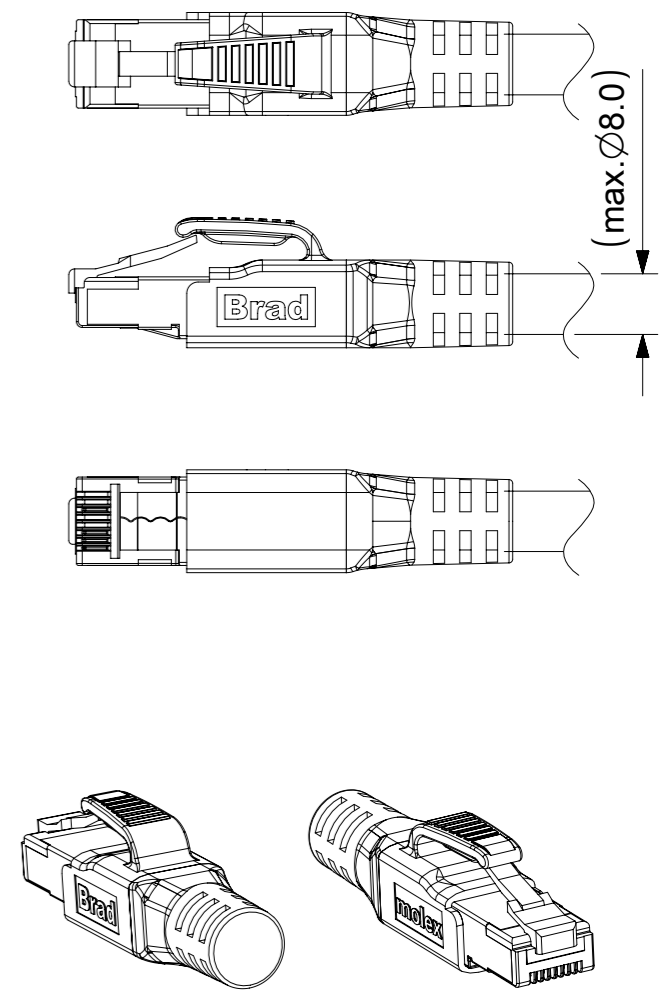


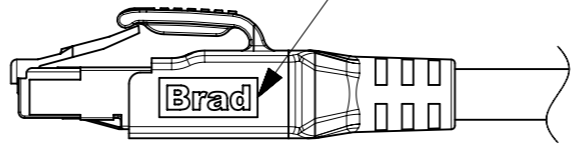
MALE PLUG U12 ANGLED 90° TO PLUG RJ45 STRAIGHT



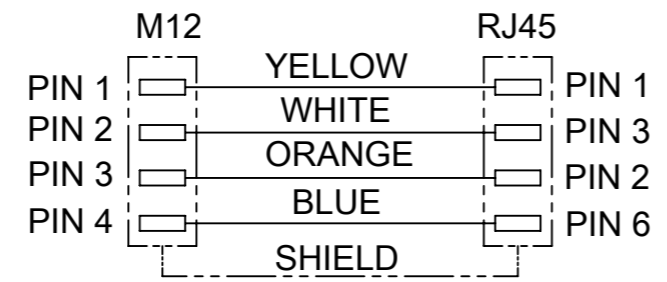
OVERMOLD VIEW FOR CABLES O.D. ≥ 6.7mm



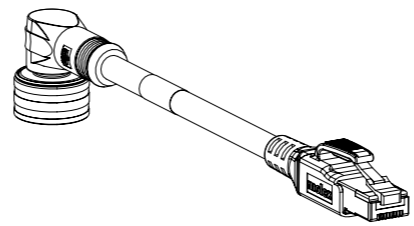
BLACK OVERMOULD
MOLEX LOGO ON ONE SIDE
BRAD LOGO ON OTHER SIDE



WIRING DIAGRAM



- NOTES:**
1. MATERIALS : SEE BOM TABLE
 2. FINISHES: SEE BOM TABLE
 3. ELECTRICAL DATA:
MAX. VOLTAGE RATING 60 VDC
MAX. CURRENT PER CONTACT 1.5 A
 4. ENVIRONMENTAL:
INDEX OF PROTECTION RJ45: IP20
INDEX OF PROTECTION M12: IP67
OPERATING TEMP : -25°C to +85°C



SCALE 1:2

ITEM	QTY.	DESCRIPTION	MATERIAL	FINISH
10	4	CONTACTS	BRASS	SELECTIVE GOLD
9	1	ORING GREEN	FPM	---
8	1	INSERT 4P MALE BLACK	TPU	---
7	1	SLEEVE	BRASS	NICKEL
6	1	LABEL	VINYL	---
5	-	CABLE	SEE SHEET 2	---
4	-	OVERMOULDING BLACK	TPU	---
3	1	SHIELD	BRASS	TIN
2	1	PLUG RJ45 TRANSPARENT	POLYCARBONATE	---
1	4	CONTACT RJ45 MALE	PHOSPHOR BRONZE	SELECTIVE GOLD

THIS DRAWING CONTAINS INFORMATION THAT IS PROPRIETARY TO MOLEX ELECTRONIC TECHNOLOGIES, LLC AND SHOULD NOT BE USED WITHOUT WRITTEN PERMISSION

FUNCTIONAL SYMBOLS	THIS DRAWING CONTAINS INFORMATION THAT IS PROPRIETARY TO MOLEX ELECTRONIC TECHNOLOGIES, LLC AND SHOULD NOT BE USED WITHOUT WRITTEN PERMISSION	CURRENT REV DESC: MIGRATED TO NX/ECTR; CABLE AND STDS UPDATED			
DIMENSION UNITS: mm SCALE: 1:1 GENERAL TOLERANCES (UNLESS SPECIFIED): ANGULAR TOL ± ° 4 PLACES ± 3 PLACES ± 2 PLACES ± 1 PLACE ± 0 PLACES ±	EC NO: 672185 DRWN: JMARSZALEK CHK'D: RSILLER APPR: RSILLER INITIAL REVISION: DRWN: JMARSZALEK APPR: RSILLER	2016/10/13 2021/09/20 2021/09/20	CSE U12 RJ45 4P DC MA RA PUR MA STR XM PRODUCT CUSTOMER DRAWING		
DIVISIONAL SYMBOLS	DRAFT WHERE APPLICABLE MUST REMAIN WITHIN DIMENSIONS	THIRD ANGLE PROJECTION	DRAWING: A3-SIZE	SERIES: 120108	DOCUMENT NUMBER: 1201088224
					DOC TYPE: PSD
					DOC PART: 000
					REVISION: A
					SHEET NUMBER: 1 OF 2

NUMERICAL CODE (Available parts see PART LIST table. Other parts available upon request).

OPTIONS

E W 6 A 0 6 1 X X M X X X X

E=Ethernet	Heads: W=Ultra-Lock U12 4P D-Code 6=RJ45	Wiring type	Heads style: 061=MA U12 RA 90° / RJ45 Plug STR	Cable type: See cable table	Units: M=Meter T=10x meter	Length Examples: 005=0.5 units 010=1 units 150=15 units	H= 2 pcs. of I/D Carrier
------------	---	----------------	--	--------------------------------	----------------------------------	---	-----------------------------

CABLE INFORMATION (for more information see Cable Data Sheet).

CABLE TYPE	CABLE O.D.	APPLICATION	CROSS SECTION	CABLE JACKET	UL	TEMP. RANGE STATIC BENDING RADIUS STATIC	TEMP. RANGE DYNAMIC BENDING RADIUS DYNAMIC	CYCLES	ADDITIONAL INFORMATION
11	6.8mm	PROFINET TYPE C	22AWG	PUR GREEN	STYLE 20549	-40°C to +80°C / min.5xO.D.	-20°C to +70°C / min.7.5xO.D.	up to 5 Mio	-
12	6.7mm	PROFINET TYPE C	22AWG	TPU BASED GREEN	STYLE 21215	-40°C to +80°C / min.5xO.D.	-25°C to +80°C / min.15xO.D.	about 2M, min.15xO.D., -5°C to +60°C	WSOR
16	6.5mm	-	24AWG	TPU BASED TEAL	STYLE 21215	-40°C to +80°C / min.6xO.D.	-20°C to +50°C	1M, min.10xO.D. / 2M min.20xO.D. @20°C	WSOR
17	8.0mm	PROFINET TYPE B & C	22AWG	TPE GREEN	STYLE 2463	-40°C to +75°C		1M min.10xO.D. / 10M min.20xO.D. @20°C	WSOR

PART LIST

No.	MOLEX P/N	ENGINEERING NO.	CABLE LENGTH
1	1201088224	EW6A06111M020	2m
2	1201088225	EW6A06111M060	6m
3	1201088226	EW6A06111M100	10m
4	1201088227	EW6A06111M150	15m
5	1201088228	EW6A06111M200	20m
6	1201088229	EW6A06111M300	30m
7	1201088230	EW6A06111M400	40m
8	1201088231	EW6A06111M500	50m
9	1201088232	EW6A06111M900	90m
10	1201088233	EW6A06111T100	100m
11	1201088383	EW6A06111M012	1.2m
12			
13			
14			
15			
16			
17			
18			
19			
20			
21			
22			
23			
24			
25			

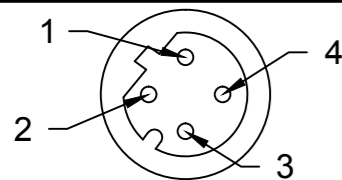
CABLE LENGTH TOLERANCES

LENGTH	TOLERANCE
0 m-1 m	+40 mm
>1 m-5 m	+60 mm
>5 m-10 m	+80 mm
>10 m-20 m	+140 mm
>20 m-30 m	+160 mm
>30 m	+1% length

FUNCTIONAL SYMBOLS	THIS DRAWING CONTAINS INFORMATION THAT IS PROPRIETARY TO MOLEX ELECTRONIC TECHNOLOGIES, LLC AND SHOULD NOT BE USED WITHOUT WRITTEN PERMISSION																											
<table border="1"> <tr> <th>FUNCTIONAL SYMBOLS</th> <th>DIMENSION UNITS</th> <th>SCALE</th> </tr> <tr> <td>$\nabla_A = 0$</td> <td>mm</td> <td>1:1</td> </tr> <tr> <td>$\nabla_E = 0$</td> <td colspan="2">GENERAL TOLERANCES (UNLESS SPECIFIED)</td> </tr> <tr> <td>$\nabla_V = 0$</td> <td colspan="2">ANGULAR TOL ± °</td> </tr> <tr> <td></td> <td>4 PLACES</td> <td>±</td> </tr> <tr> <td></td> <td>3 PLACES</td> <td>±</td> </tr> <tr> <td></td> <td>2 PLACES</td> <td>±</td> </tr> <tr> <td></td> <td>1 PLACE</td> <td>±</td> </tr> <tr> <td></td> <td>0 PLACES</td> <td>±</td> </tr> </table>	FUNCTIONAL SYMBOLS	DIMENSION UNITS	SCALE	$\nabla_A = 0$	mm	1:1	$\nabla_E = 0$	GENERAL TOLERANCES (UNLESS SPECIFIED)		$\nabla_V = 0$	ANGULAR TOL ± °			4 PLACES	±		3 PLACES	±		2 PLACES	±		1 PLACE	±		0 PLACES	±	<p>CURRENT REV DESC: MIGRATED TO NX/ECTR; CABLE AND STDS UPDATED</p> <p>EC NO: 672185 DRWN: JMARSZALEK 2016/10/13 CHK'D: RSILLER 2021/09/20 APPR: RSILLER 2021/09/20</p> <p>INITIAL REVISION: DRWN: JMARSZALEK 2016/03/08 APPR: RSILLER 2021/09/20</p>
FUNCTIONAL SYMBOLS	DIMENSION UNITS	SCALE																										
$\nabla_A = 0$	mm	1:1																										
$\nabla_E = 0$	GENERAL TOLERANCES (UNLESS SPECIFIED)																											
$\nabla_V = 0$	ANGULAR TOL ± °																											
	4 PLACES	±																										
	3 PLACES	±																										
	2 PLACES	±																										
	1 PLACE	±																										
	0 PLACES	±																										
molex																												
CSE U12 RJ45 4P DC MA RA PUR MA STR XM																												
PRODUCT CUSTOMER DRAWING																												
DOCUMENT NUMBER	DOC TYPE DOC PART REVISION																											
1201088224	PSD 000 A																											
DRAFT WHERE APPLICABLE MUST REMAIN WITHIN DIMENSIONS	THIRD ANGLE PROJECTION																											
DRAWING	SERIES																											
A3-SIZE	120108																											
MATERIAL NUMBER	CUSTOMER																											
SEE PART LIST	GENERAL MARKET																											
SHEET NUMBER																												
2 OF 2																												

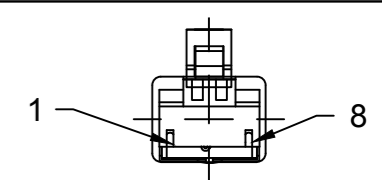
10 9 8 7 6 5 4 3 2 1

FRONT VIEW - MALE M12

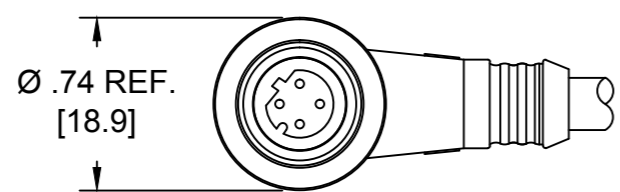
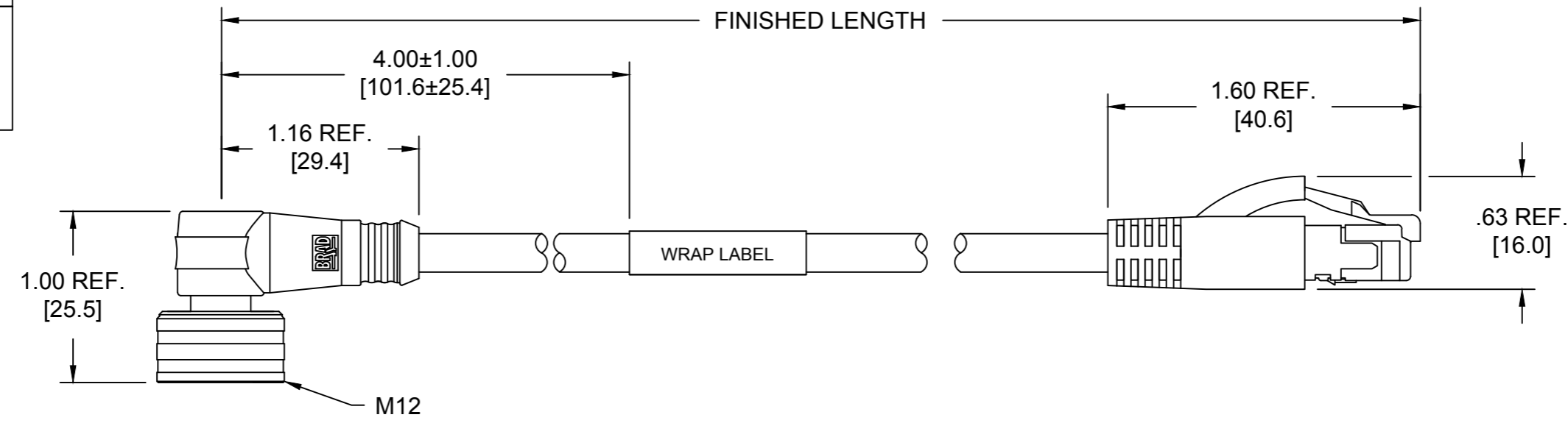


1-YELLOW
2-WHITE
3-ORANGE
4-BLUE

FRONT VIEW - MALE RJ45



1-YELLOW
2-ORANGE
3-WHITE
6-BLUE



NOTES:

MECHANICAL

RJ45
PLUG: CLEAR POLYCARBONATE
BOOT: BLACK PVC

M12 CONNECTOR

INSERT: BLACK PUR
CONTACT: GOLD/NICKEL OVER COPPER ALLOY
COUPLING NUT: NICKEL PLATED BRASS
MOLDED BODY: BLACK PUR

CABLE: 22 AWG 4 CONDUCTORS SHIELDED GREEN PUR JACKET
AGENCY LISTED: UL AND CSA
CABLE MARKING: X N X 2x2xAWG22/7-9H(ST) C11Y INDUSTRIAL ETHERNET
PROFINET TYP C E48408 cULus AWM STYLE 20236 AWM I/II A/B
80°C 30 V FT1

WRAP LABEL: MARKED WITH P/N, DATE CODE, VOLTAGE & AMPERAGE

ELECTRICAL

ACCORDING TO CAT5e
VOLTAGE RATING: 30V AC/DC
AMPERAGE: 1.5A

ADDED PART NO. TABLE EC NO: IPG2015-2010 DRWN: GGUSTAFS 2015/05/27 CHKD: BARDEN 2015/07/23 APPR: BWOODMAN2014/08/02	QUALITY SYMBOLS	DESCRIPTION REV
	▽=0 ◻=0	
	DRAFT WHERE APPLICABLE MUST REMAIN WITHIN DIMENSIONS	
	B	

GENERAL TOLERANCES (UNLESS SPECIFIED)		
	mm	INCH
4 PLACES	±---	±---
3 PLACES	±---	±.005
2 PLACES	±0.13	±.010
1 PLACE	±0.25	±.020
ANGULAR ±1/2°		

DIMENSION STYLE	
IN/MM	
DRAWN BY	DATE
BARDEN	2013/12/04
CHECKED BY	DATE
TWOLDEGE	2014/04/09
APPROVED BY	DATE
JFMURPHY	2014/08/02
MATERIAL NO.	
SEE TABLE	

SCALE	DESIGN UNITS	THIRD ANGLE PROJECTION
NTS	INCH	
TITLE		
MICRO-CHANGE/RJ45 4P M ULOCK 90D TO RJ45 2X2X22AWG GREEN PUR		
MOLEX INCORPORATED		SHEET NO.
DOCUMENT NO. SD-120108-070		1 OF 2
THIS DRAWING CONTAINS INFORMATION THAT IS PROPRIETARY TO MOLEX INCORPORATED AND SHOULD NOT BE USED WITHOUT WRITTEN PERMISSION		

10 9 8 7 6 5 4 3 2 1

10

9

8

7

6

5

4

3

2

1

F

E

D

C

B

A

MATERAIL NO.	ENGINEERING NO.
1201088383	EW6A06111M012
1201088224	EW6A06111M020
1201088225	EW6A06111M060
1201088226	EW6A06111M100
1201088227	EW6A06111M150
1201080228	EW6A06111M200
1201088229	EW6A06111M300
1201088230	EW6A06111M400
1201088231	EW6A06111M500
1201088232	EW6A06111M900
1201088233	EW6A06111T100

EW6A06111M020

CABLE TYPE
22/4AWG
PUR GREEN

CABLE LENGTH
010----1 Meter
100----10 Meters

ADDED PART NO. TABLE EC NO: IPG2015-2010 DRWN: GGUSTAFS 2015/05/27 CHKD: BARDEN 2015/07/23 APPR: BWOODMAN2014/08/02	QUALITY SYMBOLS	GENERAL TOLERANCES (UNLESS SPECIFIED)		DIMENSION STYLE		SCALE	DESIGN UNITS	THIRD ANGLE PROJECTION		
	= 0 = 0	mm	INCH	IN/MM		NTS	INCH	MICRO-CHANGE/RJ45 4P M ULOCK 90D TO RJ45 2X2X22AWG GREEN PUR		
		4 PLACES	±---	±---	DRAWN BY	DATE	TITLE			
		3 PLACES	±---	±.005	BARDEN	2013/12/04				
2 PLACES	±0.13	±.010	CHECKED BY	DATE	MOLEX INCORPORATED					
1 PLACE	±0.25	±.020	TWOLDEGE	2014/04/09						
	ANGULAR ±1/2°		APPROVED BY	DATE	DOCUMENT NO.		SD-120108-070			
	DRAFT WHERE APPLICABLE MUST REMAIN WITHIN DIMENSIONS		JFMURPHY	2014/08/02	SHEET NO.					
			MATERIAL NO.		SD-120108-070		2 OF 2			
			SEE TABLE		THIS DRAWING CONTAINS INFORMATION THAT IS PROPRIETARY TO MOLEX INCORPORATED AND SHOULD NOT BE USED WITHOUT WRITTEN PERMISSION					
			SIZE							
			B							

10

9

8

7

6

5

4

3

2

1

X-ON Electronics

Largest Supplier of Electrical and Electronic Components

Click to view similar products for [Ethernet Cables / Networking Cables](#) category:

Click to view products by [Molex](#) manufacturer:

Other Similar products are found below :

[73-6670-7](#) [73-6680-15](#) [73-7797-25](#) [MCJB2-10P6Q7-120](#) [84909-0204](#) [1200700174](#) [1200860368](#) [E16A06002M030](#) [E200102-009-S1](#)
[AX105346-EW](#) [MT14-187L](#) [17-103530](#) [ERWPAB3002M005](#) [190-038045-01](#) [NK5EPC18RDY](#) [NK5EPC18VLY](#) [NK5EPC18YLY](#)
[NK5EPC1GRY](#) [NK5EPC4Y](#) [NK5EPC6YLY](#) [NK5EPC8BLY](#) [NK5EPC9YLY](#) [1969343-6](#) [C501100010](#) [C501106002](#) [C501106007](#)
[C501106015](#) [C501106025](#) [C601102010](#) [C601104010](#) [C601106007](#) [C601106015](#) [2142758-2](#) [2168427-2](#) [CAT1106007](#) [21949-1](#) [2J1866A](#)
[RJF SFTP 5E 0500](#) [AX100351](#) [MN14CEC/ST](#) [C501100015](#) [C501106004](#) [C501106010](#) [C5F1108007](#) [C601104004](#) [C601106004](#)
[CA21106004](#) [CA21106010](#) [CA21106015](#) [CA21109007](#)