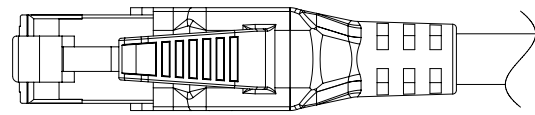
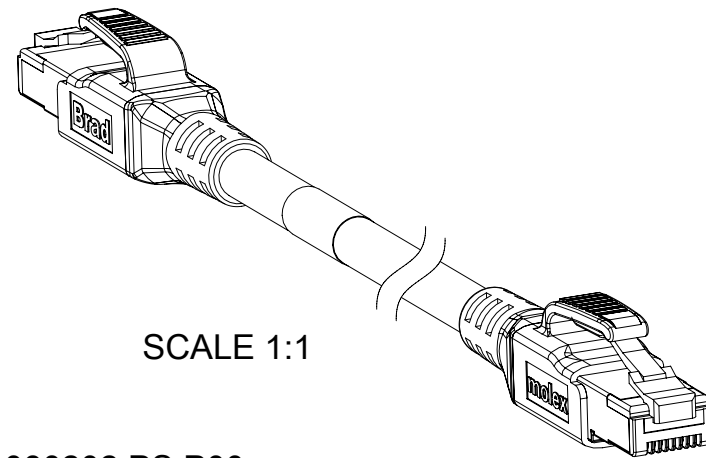
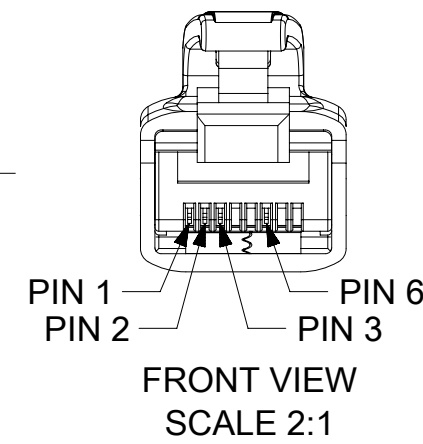
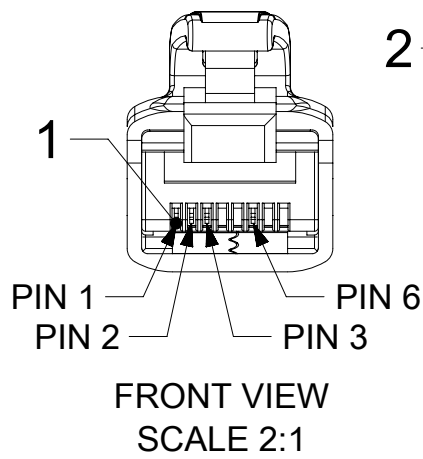
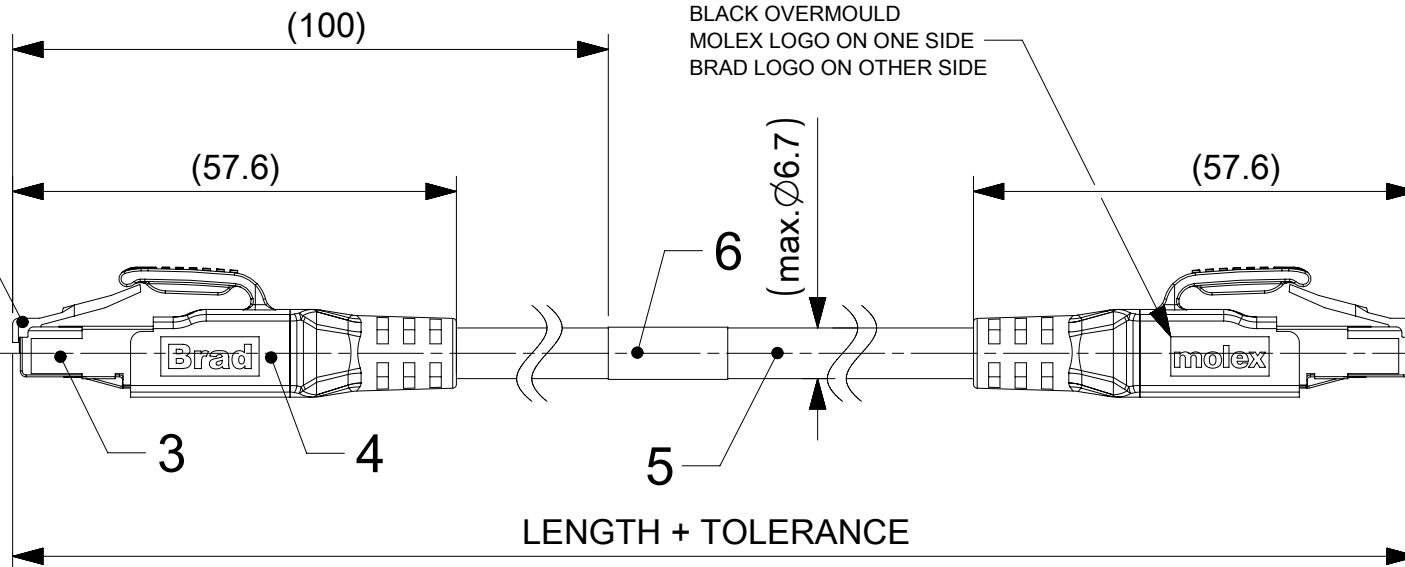
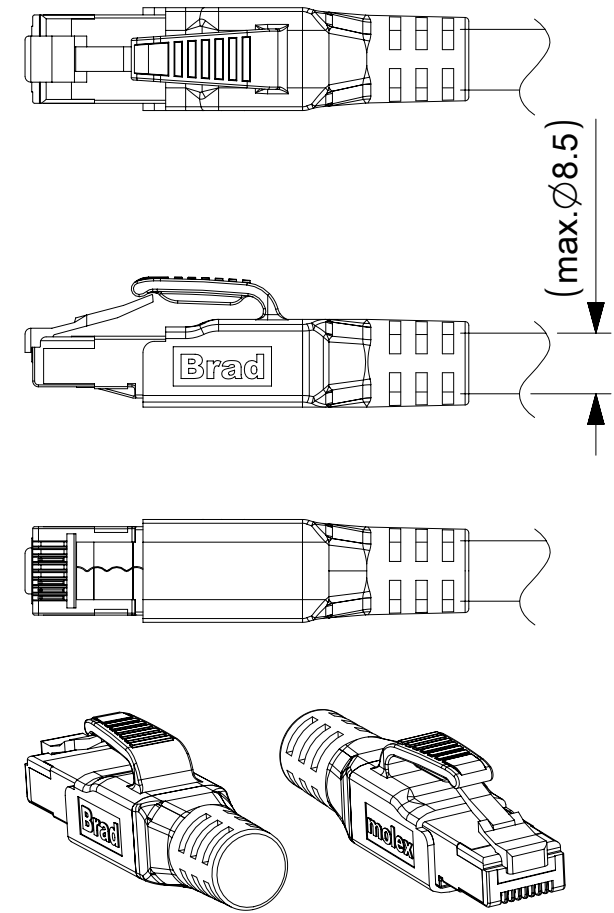


# PLUG RJ45 STRAIGHT TO PLUG RJ45 STRAIGHT

OVERMOLD VIEW FOR CABLES O.D. ≤ 6.7mm



OVERMOLD VIEW FOR CABLES O.D. ≥ 6.7mm



## NOTES:

1. MATERIALS : SEE BOM TABLE
2. FINISHES: SEE BOM TABLE
3. ELECTRICAL DATA:  
MAX. VOLTAGE RATING 60 VDC  
MAX. CURRENT PER CONTACT 1.5 A
4. ENVIRONMENTAL PARAMETERS FOR CONNECTOR:  
STATIC OPERATING TEMP: -40°C to +85°C  
INDEX OF PROTECTION RJ45: IP20
5. FOR MORE INFORMATION SEE PRODUCT SPECIFICATION 1201080202 PS P00
6. FOR CABLE 11 - ELECTRICAL TESTING ACC. TO 1201200100  
TRANSMISSION TEST ACCORDING TO ISO/IEC 11801 CLASS D CHANNEL  
FOR CABLE 12, 16 - ELECTRICAL TESTING ACC. TO 1201200100  
TRANSMISSION TEST ACCORDING TO ISO/IEC 11801 CATEGORY 5e  
PATCH CORD PROFINET TYPE C

## BOM

| ITEM | QTY.    | DESCRIPTION           | MATERIAL        | FINISH         |
|------|---------|-----------------------|-----------------|----------------|
| 6    | 1       | LABEL                 | VINYL           | ---            |
| 5    | -       | CABLE                 | SEE SHEET 2     | ---            |
| 4    | -       | OVERMOULDING BLACK    | TPU             | ---            |
| 3    | 2       | SHIELD                | BRASS           | TIN            |
| 2    | 2       | PLUG RJ45 TRANSPARENT | POLYCARBONATE   | ---            |
| 1    | 8 or 16 | CONTACT RJ45 MALE     | PHOSPHOR BRONZE | SELECTIVE GOLD |

|  |   |                        |               |                                |  |
|--|---|------------------------|---------------|--------------------------------|--|
| FUNCTIONAL SYMBOLS<br>▽A = 0<br>▽E = 0<br>▽V = 0 | THIS DRAWING CONTAINS INFORMATION THAT IS PROPRIETARY TO MOLEX ELECTRONIC TECHNOLOGIES, LLC AND SHOULD NOT BE USED WITHOUT WRITTEN PERMISSION | CURRENT REV DESC:      |               |                                |  |
|  | DIMENSION UNITS: mm   | SCALE: 1:1             | EC NO: 689781 |                                |  |
| DIVISIONAL SYMBOLS                               | GENERAL TOLERANCES (UNLESS SPECIFIED)   | DRWN: JMARSZALEK       |               | 2016/10/10                     |  |
|  | ANGULAR TOL ± 1.0°  | CHK'D: RSILLER         |               | 2021/12/21                     |  |
|  | 4 PLACES ±  | APPR: RSILLER          |               | 2021/12/21                     |  |
|  | 3 PLACES ±  | INITIAL REVISION:      |               | DOCUMENT NUMBER                |  |
|  | 2 PLACES ± 0.05   | DRWN: JMARSZALEK       |               | 1201080202                     |  |
|  | 1 PLACE ± 0.3   | APPR: RSILLER          |               | PSD 000 A                      |  |
|  | 0 PLACES ± 0.5  | THIRD ANGLE PROJECTION |               | DOC TYPE DOC PART REVISION     |  |
|  | DRAFT WHERE APPLICABLE MUST REMAIN WITHIN DIMENSIONS  | DRAWING: A3-SIZE       |               | MATERIAL NUMBER: SEE PART LIST |  |
|  |   | SERIES: 120108         |               | CUSTOMER: GENERAL MARKET       |  |
|  |   |                        |               | SHEET NUMBER: 1 OF 3           |  |

# NUMERICAL CODE (Available parts see PART LIST table. Other parts available upon request)

## OPTIONS

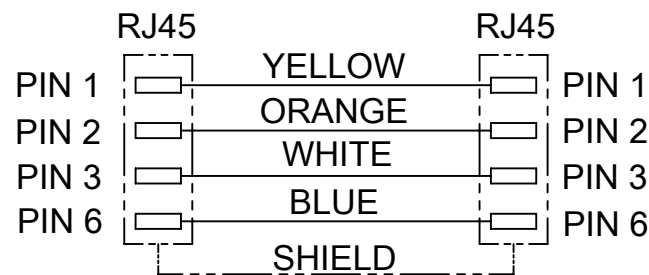
**E 6 6 A 0 6 0 X X M X X X X**

- E=Ethernet
- Heads: 66=Double ended RJ45
- Wiring type
- Heads style: 060=RJ45 Plug STR / RJ45 Plug STR
- Cable type: See cable table
- Units: M=Meter C=Centimeter
- Length Examples: 005=0.5 units, 010=1 units, 150=15 units
- H= 2 pcs. of I/D Carrier

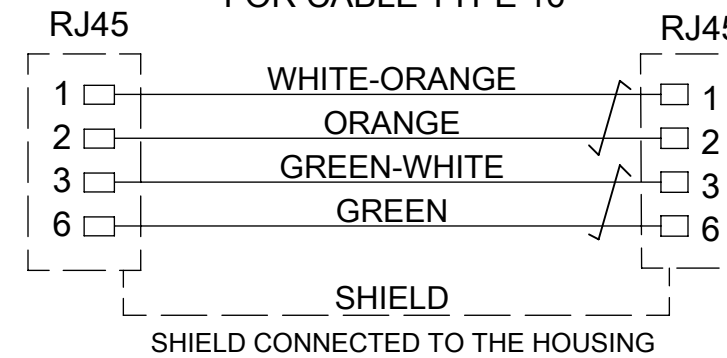
# CABLE INFORMATION (for more information see Cable Data Sheet).

| CABLE TYPE | CABLE O.D. | APPLICATION     | CROSS SECTION | CABLE JACKET    | UL          | TEMP. RANGE STATIC BENDING RADIUS STATIC | TEMP. RANGE DYNAMIC BENDING RADIUS DYNAMIC | CYCLES                                | ADDITIONAL INFORMATION |
|------------|------------|-----------------|---------------|-----------------|-------------|--|--|---------------------------------------|------------------------|
| 11         | 6.7mm      | PROFINET TYPE C | 22AWG         | PUR GREEN       | STYLE 20236 | -20°C to +60°C / min.5xO.D.              | -20°C to +60°C / min.15xO.D.               | about 2M                              | -                      |
| 12         | 6.7mm      | PROFINET TYPE B | 22AWG         | TPU BASED GREEN | STYLE 21215 | -40°C to +80°C / min.5xO.D.              | -25°C to +80°C / min.15xO.D.               | about 2M min.15xO.D., -5°C to +60°C   | WSOR                   |
| 16         | 6.5mm      | -               | 24AWG         | TPU BASED TEAL  | STYLE 21215 | -40°C to +80°C / min.6xO.D.              | -20°C to +50°C                             | 1M min.10xO.D. / 2M min.20xO.D. @20°C | WSOR                   |

WIRING DIAGRAM FOR CABLE TYPE 11, 12



WIRING DIAGRAM FOR CABLE TYPE 16



| LENGTH   | TOLERANCE  |
|----------|------------|
| 0m-1m    | +40 mm     |
| >1m-5m   | +60 mm     |
| >5m-10m  | +80 mm     |
| >10m-20m | +140 mm    |
| >20m-30m | +160 mm    |
| >30m     | +1% length |

| FUNCTIONAL SYMBOLS  | THIS DRAWING CONTAINS INFORMATION THAT IS PROPRIETARY TO MOLEX ELECTRONIC TECHNOLOGIES, LLC AND SHOULD NOT BE USED WITHOUT WRITTEN PERMISSION | CURRENT REV DESC:      |         | <b>molex</b>    |                 |                |              |     |                |                                       |  |                |                             |  |  |          |       |  |          |       |  |          |            |  |         |           |  |          |           |   |
|---|---|------------------------|---------|-----------------|-----------------|----------------|--------------|-----|----------------|---------------------------------------|--|----------------|-----------------------------|--|--|----------|-------|--|----------|-------|--|----------|------------|--|---------|-----------|--|----------|-----------|---|
| <table border="1"> <tr> <th>FUNCTIONAL SYMBOLS</th> <th>DIMENSION UNITS</th> <th>SCALE</th> </tr> <tr> <td><math>\nabla/A = 0</math></td> <td>mm</td> <td>1:1</td> </tr> <tr> <td><math>\nabla/E = 0</math></td> <td colspan="2">GENERAL TOLERANCES (UNLESS SPECIFIED)</td> </tr> <tr> <td><math>\nabla/F = 0</math></td> <td colspan="2">ANGULAR TOL <math>\pm 1.0^\circ</math></td> </tr> <tr> <td></td> <td>4 PLACES</td> <td><math>\pm</math></td> </tr> <tr> <td></td> <td>3 PLACES</td> <td><math>\pm</math></td> </tr> <tr> <td></td> <td>2 PLACES</td> <td><math>\pm 0.05</math></td> </tr> <tr> <td></td> <td>1 PLACE</td> <td><math>\pm 0.3</math></td> </tr> <tr> <td></td> <td>0 PLACES</td> <td><math>\pm 0.5</math></td> </tr> </table> | FUNCTIONAL SYMBOLS  | DIMENSION UNITS        | SCALE   |                 |                 | $\nabla/A = 0$ | mm           | 1:1 | $\nabla/E = 0$ | GENERAL TOLERANCES (UNLESS SPECIFIED) |  | $\nabla/F = 0$ | ANGULAR TOL $\pm 1.0^\circ$ |  |  | 4 PLACES | $\pm$ |  | 3 PLACES | $\pm$ |  | 2 PLACES | $\pm 0.05$ |  | 1 PLACE | $\pm 0.3$ |  | 0 PLACES | $\pm 0.5$ | EC NO: 689781<br>DRWN: JMARSZALEK 2016/10/10<br>CHK'D: RSILLER 2021/12/21<br>APPR: RSILLER 2021/12/21 |
| FUNCTIONAL SYMBOLS  | DIMENSION UNITS   | SCALE                  |         |                 |                 |                |              |     |                |                                       |  |                |                             |  |  |          |       |  |          |       |  |          |            |  |         |           |  |          |           |   |
| $\nabla/A = 0$  | mm  | 1:1                    |         |                 |                 |                |              |     |                |                                       |  |                |                             |  |  |          |       |  |          |       |  |          |            |  |         |           |  |          |           |   |
| $\nabla/E = 0$  | GENERAL TOLERANCES (UNLESS SPECIFIED)   |                        |         |                 |                 |                |              |     |                |                                       |  |                |                             |  |  |          |       |  |          |       |  |          |            |  |         |           |  |          |           |   |
| $\nabla/F = 0$  | ANGULAR TOL $\pm 1.0^\circ$   |                        |         |                 |                 |                |              |     |                |                                       |  |                |                             |  |  |          |       |  |          |       |  |          |            |  |         |           |  |          |           |   |
|   | 4 PLACES  | $\pm$                  |         |                 |                 |                |              |     |                |                                       |  |                |                             |  |  |          |       |  |          |       |  |          |            |  |         |           |  |          |           |   |
|   | 3 PLACES  | $\pm$                  |         |                 |                 |                |              |     |                |                                       |  |                |                             |  |  |          |       |  |          |       |  |          |            |  |         |           |  |          |           |   |
|   | 2 PLACES  | $\pm 0.05$             |         |                 |                 |                |              |     |                |                                       |  |                |                             |  |  |          |       |  |          |       |  |          |            |  |         |           |  |          |           |   |
|   | 1 PLACE   | $\pm 0.3$              |         |                 |                 |                |              |     |                |                                       |  |                |                             |  |  |          |       |  |          |       |  |          |            |  |         |           |  |          |           |   |
|   | 0 PLACES  | $\pm 0.5$              |         |                 |                 |                |              |     |                |                                       |  |                |                             |  |  |          |       |  |          |       |  |          |            |  |         |           |  |          |           |   |
| PRODUCT CUSTOMER DRAWING  |   |                        |         | DOCUMENT NUMBER | DOC TYPE        | DOC PART       | REVISION     |     |                |                                       |  |                |                             |  |  |          |       |  |          |       |  |          |            |  |         |           |  |          |           |   |
|   |   |                        |         | 1201080202      | PSD             | 000            | A            |     |                |                                       |  |                |                             |  |  |          |       |  |          |       |  |          |            |  |         |           |  |          |           |   |
| DRAFT WHERE APPLICABLE MUST REMAIN WITHIN DIMENSIONS  |   | THIRD ANGLE PROJECTION | DRAWING | SERIES          | MATERIAL NUMBER | CUSTOMER       | SHEET NUMBER |     |                |                                       |  |                |                             |  |  |          |       |  |          |       |  |          |            |  |         |           |  |          |           |   |
|   |   |                        | A3-SIZE | 120108          | SEE PART LIST   | GENERAL MARKET | 2 OF 3       |     |                |                                       |  |                |                             |  |  |          |       |  |          |       |  |          |            |  |         |           |  |          |           |   |


# PART LIST

| No. | Part No.   | Engineering No. | Cable Length |
|-----|------------|-----------------|--------------|
| 1   | 1201080202 | E66A06011M020   | 2m           |
| 2   | 1201080207 | E66A06011M005   | 0.5m         |
| 3   | 1201080267 | E66A06011M010   | 1m           |
| 4   | 1201080269 | E66A06011M030   | 3m           |
| 5   | 1201080270 | E66A06011M040   | 4m           |
| 6   | 1201080271 | E66A06011M050   | 5m           |
| 7   | 1201080272 | E66A06011M060   | 6m           |
| 8   | 1201080273 | E66A06011M100   | 10m          |
| 9   | 1201080274 | E66A06011M150   | 15m          |
| 10  | 1201080275 | E66A06011M200   | 20m          |
| 11  | 1201080276 | E66A06011M250   | 25m          |
| 12  | 1201080277 | E66A06011M300   | 30m          |
| 13  | 1201080278 | E66A06011M500   | 50m          |
| 14  | 1201080577 | E66A06017M005   | 0.5m         |
| 15  | 1201080578 | E66A06017M010   | 1m           |
| 16  | 1201080579 | E66A06017M020   | 2m           |
| 17  | 1201088112 | E66A06011M120   | 12m          |
| 18  | 1201088113 | E66A06011M400   | 40m          |
| 19  | 1201088114 | E66A06011M600   | 60m          |
| 20  | 1201088115 | E66A06011M800   | 80m          |
| 21  | 1201088119 | E66A06011C650   | 65m          |
| 22  | 1201088128 | E66A06011M070   | 7m           |
| 23  | 1201088129 | E66A06011M090   | 9m           |
| 24  | 1201088197 | E66A06011M900   | 90m          |
| 25  | 1201088248 | E66A06011M700   | 70m          |
| 26  | 1201088265 | E66A06011M020H  | 2m           |
| 27  | 1201088280 | E66A06011M010H  | 1m           |
| 28  | 1201088281 | E66A06011M030H  | 3m           |
| 29  | 1201088293 | E66A06012M010H  | 1m           |
| 30  | 1201088294 | E66A06012M020H  | 2m           |
| 31  | 1201088295 | E66A06012M050H  | 5m           |
| 32  | 1201088296 | E66A06012M100H  | 10m          |
| 33  | 1201088297 | E66A06012M150H  | 15m          |
| 34  | 1201088298 | E66A06012M200H  | 20m          |
| 35  | 1201088300 | E66A06012M030H  | 3m           |

| No. | Part No.   | Engineering No. | Cable Length |
|-----|------------|-----------------|--------------|
| 36  | 1201088301 | E66A06012M300H  | 30m          |
| 37  | 1201088302 | E66A06012M500H  | 50m          |
| 38  | 1201088353 | E66A06012M010   | 1m           |
| 39  | 1201088354 | E66A06012M020   | 2m           |
| 40  | 1201088355 | E66A06012M030   | 3m           |
| 41  | 1201088356 | E66A06012M040   | 4m           |
| 42  | 1201088357 | E66A06012M050   | 5m           |
| 43  | 1201088358 | E66A06012M060   | 6m           |
| 44  | 1201088359 | E66A06012M080   | 8m           |
| 45  | 1201088360 | E66A06012M090   | 9m           |
| 46  | 1201088361 | E66A06012M100   | 10m          |
| 47  | 1201088362 | E66A06012M120   | 12m          |
| 48  | 1201088363 | E66A06012M150   | 15m          |
| 49  | 1201088364 | E66A06012M200   | 20m          |
| 50  | 1201088365 | E66A06012M250   | 25m          |
| 51  | 1201088366 | E66A06012M300   | 30m          |
| 52  | 1201088367 | E66A06012M350   | 35m          |
| 53  | 1201088368 | E66A06012M400   | 40m          |
| 54  | 1201088369 | E66A06012M450   | 45m          |
| 55  | 1201088370 | E66A06012M500   | 50m          |
| 56  | 1201088371 | E66A06012M550   | 55m          |
| 57  | 1201088372 | E66A06012M600   | 60m          |
| 58  | 1201088373 | E66A06012M650   | 65m          |
| 59  | 1201088374 | E66A06012M700   | 70m          |
| 60  | 1201088375 | E66A06012M750   | 75m          |
| 61  | 1201088376 | E66A06012M800   | 80m          |
| 62  | 1201088386 | E66A06012M700H  | 70m          |
| 63  | 1201088387 | E66A06012M900H  | 90m          |
| 64  | 1201088393 | E66A06012M002H  | 0.2m         |
| 65  | 1201088394 | E66A06012M005H  | 0.5m         |
| 66  | 1201088395 | E66A06012M250H  | 25m          |
| 67  | 1201088396 | E66A06012M400H  | 40m          |
| 68  | 1201088397 | E66A06012M600H  | 60m          |
| 69  | 1201088398 | E66A06012M1K0H  | 100m         |
| 70  | 1201088474 | E66A06016M010   | 1m           |

| No. | Part No.   | Engineering No. | Cable Length |
|-----|------------|-----------------|--------------|
| 71  | 1201088475 | E66A06016M020   | 2m           |
| 72  | 1201088476 | E66A06016M030   | 3m           |
| 73  | 1201088477 | E66A06016M040   | 4m           |
| 74  | 1201088478 | E66A06016M050   | 5m           |
| 75  | 1201088479 | E66A06016M060   | 6m           |
| 76  | 1201088480 | E66A06016M080   | 8m           |
| 77  | 1201088481 | E66A06016M090   | 9m           |
| 78  | 1201088482 | E66A06016M100   | 10m          |
| 79  | 1201088483 | E66A06016M120   | 12m          |
| 80  | 1201088484 | E66A06016M150   | 15m          |
| 81  | 1201088485 | E66A06016M200   | 20m          |
| 82  | 1201088486 | E66A06016M250   | 25m          |
| 83  | 1201088487 | E66A06016M300   | 30m          |
| 84  | 1201088488 | E66A06016M350   | 35m          |
| 85  | 1201088489 | E66A06016M400   | 40m          |
| 86  | 1201088490 | E66A06016M450   | 45m          |
| 87  | 1201088491 | E66A06016M500   | 50m          |
| 88  | 1201088492 | E66A06016M550   | 55m          |
| 89  | 1201088493 | E66A06016M600   | 60m          |
| 90  | 1201088494 | E66A06016M650   | 65m          |
| 91  | 1201088495 | E66A06016M700   | 70m          |
| 92  | 1201088496 | E66A06016M750   | 75m          |
| 93  | 1201088497 | E66A06016M800   | 80m          |
| 94  | 1201088528 | E66A06016M850   | 85m          |
| 95  | 1201088529 | E66A06016M900   | 90m          |
| 96  | 1201088532 | E66A06016M005   | 0.5m         |
| 97  | 1201088554 | E66A06012M003   | 0.3m         |
| 98  | 1201088555 | E66A06012M006   | 0.6m         |
| 99  | 1201088556 | E66A06016M003   | 0.3m         |
| 100 | 1201088557 | E66A06016M006   | 0.6m         |
| 101 |            |                 |              |
| 102 |            |                 |              |
| 103 |            |                 |              |
| 104 |            |                 |              |
| 105 |            |                 |              |

| No. | Part No. | Engineering No. | Cable Length |
|-----|----------|-----------------|--------------|
| 106 |          |                 |              |
| 107 |          |                 |              |
| 108 |          |                 |              |
| 109 |          |                 |              |
| 110 |          |                 |              |
| 111 |          |                 |              |
| 112 |          |                 |              |
| 113 |          |                 |              |
| 114 |          |                 |              |
| 115 |          |                 |              |
| 116 |          |                 |              |
| 117 |          |                 |              |
| 118 |          |                 |              |
| 119 |          |                 |              |
| 120 |          |                 |              |
| 121 |          |                 |              |
| 122 |          |                 |              |
| 123 |          |                 |              |
| 124 |          |                 |              |
| 125 |          |                 |              |
| 126 |          |                 |              |
| 127 |          |                 |              |
| 128 |          |                 |              |
| 129 |          |                 |              |
| 130 |          |                 |              |
| 131 |          |                 |              |
| 132 |          |                 |              |
| 133 |          |                 |              |
| 134 |          |                 |              |
| 135 |          |                 |              |
| 136 |          |                 |              |
| 137 |          |                 |              |
| 138 |          |                 |              |
| 139 |          |                 |              |
| 140 |          |                 |              |

|   |  |  |  |                         |                                  |  |                                      |
|---|--|--|--|-------------------------|----------------------------------|--|--------------------------------------|
| <b>FUNCTIONAL SYMBOLS</b><br>$\nabla_A = 0$<br>$\nabla_B = 0$<br>$\nabla_C = 0$ | THIS DRAWING CONTAINS INFORMATION THAT IS PROPRIETARY TO MOLEX ELECTRONIC TECHNOLOGIES, LLC AND SHOULD NOT BE USED WITHOUT WRITTEN PERMISSION<br>DIMENSION UNITS: <b>mm</b><br>SCALE: <b>1:1</b> | CURRENT REV DESC:<br><br>EC NO: 689781<br>DRWN: JMARSZALEK 2016/10/10<br>CHK'D: RSILLER 2021/12/21<br>APPR: RSILLER 2021/12/21 | <br><br>CSE RJ45 RJ45 8P4C MA STR XM DE |                         |                                  |  |                                      |
|   | GENERAL TOLERANCES (UNLESS SPECIFIED)<br>ANGULAR TOL $\pm 1.0^\circ$<br>4 PLACES $\pm$<br>3 PLACES $\pm$<br>2 PLACES $\pm 0.05$<br>1 PLACE $\pm 0.3$<br>0 PLACES $\pm 0.5$                       |  |  |                         |                                  | INITIAL REVISION:<br>DRWN: JMARSZALEK 2016/02/08<br>APPR: RSILLER 2021/12/21 | DOCUMENT NUMBER<br><b>1201080202</b> |
| <b>DIVISIONAL SYMBOLS</b>   | DRAFT WHERE APPLICABLE MUST REMAIN WITHIN DIMENSIONS   | THIRD ANGLE PROJECTION   | DRAWING<br><b>A3-SIZE</b>  | SERIES<br><b>120108</b> | MATERIAL NUMBER<br>SEE PART LIST | CUSTOMER<br>GENERAL MARKET   | SHEET NUMBER<br>3 OF 3               |

# PART No. MATRIX

**E 6 6 A 0 6 0 1 2 M X X X X**

E=ETHERNET

HEADS:  
6 = RJ45 PLUG  
6 = RJ45 PLUG

HEADS STYLE:  
060 = MALE STR / MALE STR

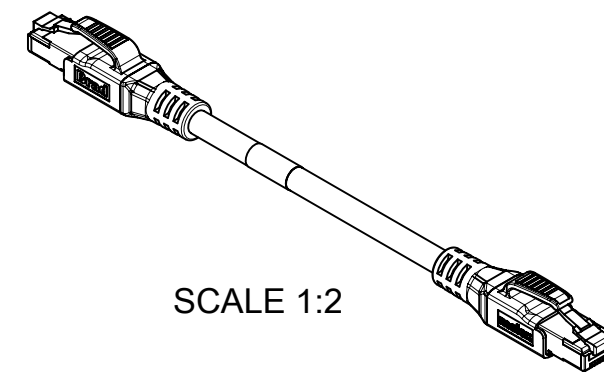
CABLE TYPE:  
CABLE 12

UNITS:  
M= METER  
T= 10xMETER

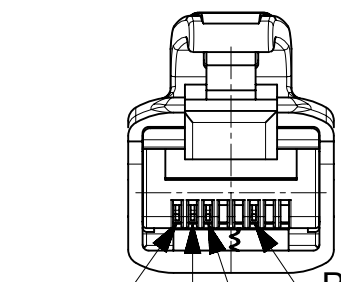
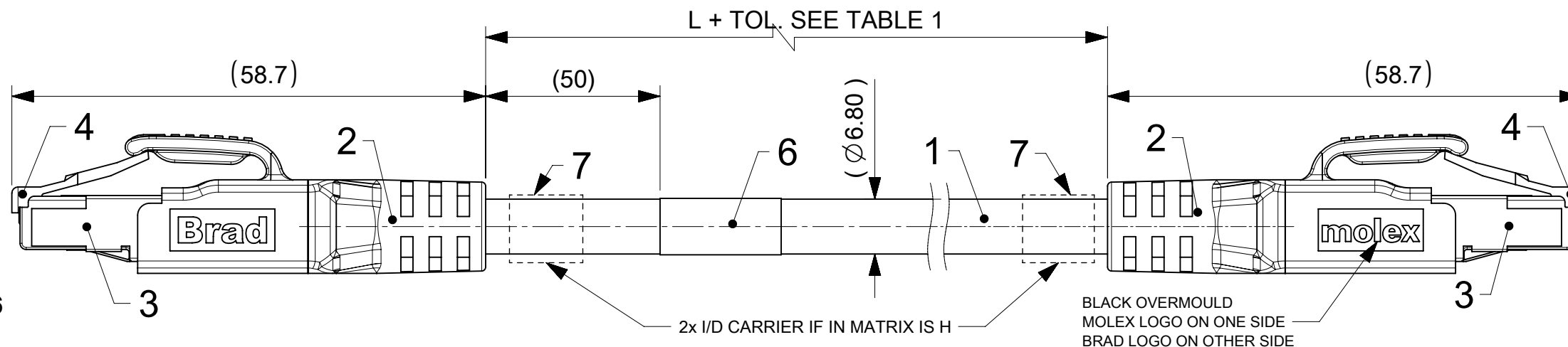
LENGTH EXAMPLES:  
005=0.5 m  
010=1 m  
150=15 m  
T100=100 m

H= 2 PCS. OF I/D Carrier

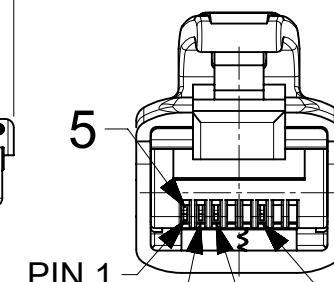
WIRING TYPE:  
A=4 Pole (STRAIGHT WIRED)



SCALE 1:2



PIN 1  
PIN 2  
PIN 3  
PIN 6  
CONNECTOR PIN ASSIGNMENT  
VIEW FROM THE FRONT SIDE  
SCALE 2:1



PIN 1  
PIN 2  
PIN 3  
PIN 6  
CONNECTOR PIN ASSIGNMENT  
VIEW FROM THE FRONT SIDE  
SCALE 2:1

TABLE 1

| MOLEX PN   | ENGINEERING NO | L (m) |
|------------|----------------|-------|
| 1201088393 | E66A06012M002H | 0.2   |
| 1201088554 | E66A06012M003  | 0.3   |
| 1201088394 | E66A06012M005H | 0.5   |
| 1201088555 | E66A06012M006  | 0.6   |
| 1201088353 | E66A06012M010  | 1     |
| 1201088293 | E66A06012M010H | 1     |
| 1201088747 | E66A06012M015  | 1.5   |
| 1201088354 | E66A06012M020  | 2     |
| 1201088294 | E66A06012M020H | 2     |
| 1201088655 | E66A06012M025  | 2.5   |
| 1201088355 | E66A06012M030  | 3     |
| 1201088300 | E66A06012M030H | 3     |
| 1201088356 | E66A06012M040  | 4     |
| 1201088357 | E66A06012M050  | 5     |
| 1201088295 | E66A06012M050H | 5     |
| 1201088358 | E66A06012M060  | 6     |
| 1201088748 | E66A06012M070  | 7     |
| 1201088359 | E66A06012M080  | 8     |
| 1201088360 | E66A06012M090  | 9     |
| 1201088361 | E66A06012M100  | 10    |
| 1201088296 | E66A06012M100H | 10    |
| 1201088362 | E66A06012M120  | 12    |
| 1201088363 | E66A06012M150  | 15    |
| 1201088297 | E66A06012M150H | 15    |

| MOLEX PN   | ENGINEERING NO | L (m) |
|------------|----------------|-------|
| 1201088364 | E66A06012M200  | 20    |
| 1201088298 | E66A06012M200H | 20    |
| 1201088365 | E66A06012M250  | 25    |
| 1201088395 | E66A06012M250H | 25    |
| 1201088366 | E66A06012M300  | 30    |
| 1201088301 | E66A06012M300H | 30    |
| 1201088367 | E66A06012M350  | 35    |
| 1201088368 | E66A06012M400  | 40    |
| 1201088396 | E66A06012M400H | 40    |
| 1201088369 | E66A06012M450  | 45    |
| 1201088370 | E66A06012M500  | 50    |
| 1201088302 | E66A06012M500H | 50    |
| 1201088371 | E66A06012M550  | 55    |
| 1201088372 | E66A06012M600  | 60    |
| 1201088397 | E66A06012M600H | 60    |
| 1201088373 | E66A06012M650  | 65    |
| 1201088374 | E66A06012M700  | 70    |
| 1201088386 | E66A06012M700H | 70    |
| 1201088375 | E66A06012M750  | 75    |
| 1201088376 | E66A06012M800  | 80    |
| 1201088746 | E66A06012M850  | 85    |
| 1201088387 | E66A06012M900H | 90    |
| 1201088398 | E66A06012T100H | 100   |

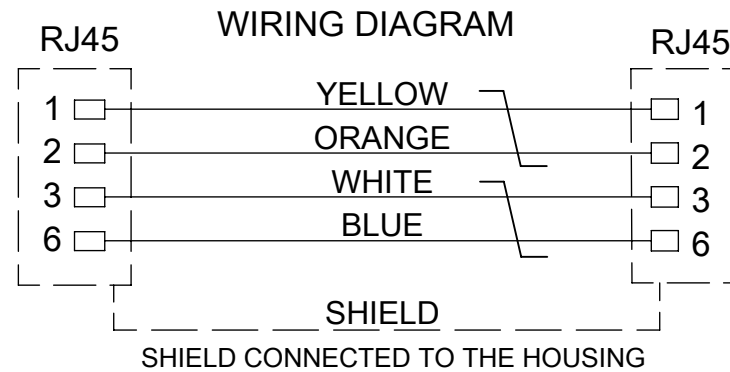


TABLE 2

| LENGTH   | TOLERANCE  |
|----------|------------|
| 0m-1m    | +40 mm     |
| >1m-5m   | +60 mm     |
| >5m-10m  | +80 mm     |
| >10m-20m | +140 mm    |
| >20m-30m | +160 mm    |
| >30m     | +1% length |

TECHNICAL DATA :  
RJ45 to RJ45 CAT5e Cordset AWG22  
straight green inline 360° shielded.

Poles : 4  
Max. Voltage : 30V A.C. or 42V D.C.  
Max. Current : 1.5A  
Contact resistance : ≤10 mΩ  
Insulation Withstand : >100MΩ  
Protection RJ45 / RJ45 : IP20 / IP20  
Temperature range : -25°C to 85°C

Transmission characteristics  
ACCORDING TO ISO 11801 CATEGORY 5e  
PATCH CORD PROFINET TYPE C

Packaging :  
The cordsets are packed in a polybag.

### BOM

\* NOTE : ID CARRIER APPLICABLE, IF ENGINEERING No. HAS "H" (SEE TABLE1)

| ITEM | QTY | DESCRIPTION            | MATERIAL        | FINISH/COLOR   |
|------|-----|------------------------|-----------------|----------------|
| 7    | 2   | ID CARRIER             | PVC             | TRANSPARENT    |
| 6    | 1   | LABEL 2.0X1.75         | VINYL           | YELLOW         |
| 5    | 8   | CONTACT RJ45           | PHOSPHOR BRONZE | SELECTIVE GOLD |
| 4    | 1   | PLUG RJ45 TRANSPARENT  | PC              | -              |
| 3    | 1   | SHIELD                 | BRASS           | TIN            |
| 2    | -   | MOULDING MATERIAL      | TPU             | BLACK          |
| 1    | -   | CABLE 2x2x22AWG SHIELD | TPU             | GREEN          |

|                                       |  |                                   |            |       |         |                                       |            |  |                        |          |        |          |         |          |   |                 |             |          |                |   |  |              |        |       |     |        |         |       |         |       |            |   |  |                 |            |          |     |          |
|---------------------------------------|--|-----------------------------------|------------|-------|---------|---------------------------------------|------------|--|------------------------|----------|--------|----------|---------|----------|---|-----------------|-------------|----------|----------------|---|--|--------------|--------|-------|-----|--------|---------|-------|---------|-------|------------|---|--|-----------------|------------|----------|-----|----------|
| FUNCTIONAL SYMBOLS                    | THIS DRAWING CONTAINS INFORMATION THAT IS PROPRIETARY TO MOLEX ELECTRONIC TECHNOLOGIES, LLC AND SHOULD NOT BE USED WITHOUT WRITTEN PERMISSION  | CURRENT REV DESC: INITIAL RELEASE |            |       |         |                                       |            |  |                        |          |        |          |         |          |   |                 |             |          |                |   |  |              |        |       |     |        |         |       |         |       |            |   |  |                 |            |          |     |          |
|                                       | <table border="1"> <tr><td>mm</td><td>3:2</td></tr> <tr><td colspan="2">GENERAL TOLERANCES (UNLESS SPECIFIED)</td></tr> <tr><td>ANGULAR TOL</td><td>± °</td></tr> <tr><td>4 PLACES</td><td>±</td></tr> <tr><td>3 PLACES</td><td>±</td></tr> <tr><td>2 PLACES</td><td>±</td></tr> <tr><td>1 PLACE</td><td>±</td></tr> <tr><td>0 PLACES</td><td>±</td></tr> </table> | mm                                | 3:2        |       |         | GENERAL TOLERANCES (UNLESS SPECIFIED) |            | ANGULAR TOL  | ± °                    | 4 PLACES | ±      | 3 PLACES | ±       | 2 PLACES | ±   | 1 PLACE         | ±           | 0 PLACES | ±              | <table border="1"> <tr><td>EC NO:</td><td>640263</td></tr> <tr><td>DRWN:</td><td>SSM</td></tr> <tr><td>CHK'D:</td><td>RSILLER</td></tr> <tr><td>APPR:</td><td>RSILLER</td></tr> <tr><td>DATE:</td><td>2021/04/01</td></tr> </table> |  | EC NO:       | 640263 | DRWN: | SSM | CHK'D: | RSILLER | APPR: | RSILLER | DATE: | 2021/04/01 | <table border="1"> <tr><td>DOCUMENT NUMBER</td><td>1201088293</td></tr> <tr><td>DOC TYPE</td><td>PSD</td></tr> <tr><td>DOC PART</td><td>000</td></tr> <tr><td>REVISION</td><td>A</td></tr> </table> |  | DOCUMENT NUMBER | 1201088293 | DOC TYPE | PSD | DOC PART |
| mm                                    | 3:2  |                                   |            |       |         |                                       |            |  |                        |          |        |          |         |          |   |                 |             |          |                |   |  |              |        |       |     |        |         |       |         |       |            |   |  |                 |            |          |     |          |
| GENERAL TOLERANCES (UNLESS SPECIFIED) |  |                                   |            |       |         |                                       |            |  |                        |          |        |          |         |          |   |                 |             |          |                |   |  |              |        |       |     |        |         |       |         |       |            |   |  |                 |            |          |     |          |
| ANGULAR TOL                           | ± °  |                                   |            |       |         |                                       |            |  |                        |          |        |          |         |          |   |                 |             |          |                |   |  |              |        |       |     |        |         |       |         |       |            |   |  |                 |            |          |     |          |
| 4 PLACES                              | ±  |                                   |            |       |         |                                       |            |  |                        |          |        |          |         |          |   |                 |             |          |                |   |  |              |        |       |     |        |         |       |         |       |            |   |  |                 |            |          |     |          |
| 3 PLACES                              | ±  |                                   |            |       |         |                                       |            |  |                        |          |        |          |         |          |   |                 |             |          |                |   |  |              |        |       |     |        |         |       |         |       |            |   |  |                 |            |          |     |          |
| 2 PLACES                              | ±  |                                   |            |       |         |                                       |            |  |                        |          |        |          |         |          |   |                 |             |          |                |   |  |              |        |       |     |        |         |       |         |       |            |   |  |                 |            |          |     |          |
| 1 PLACE                               | ±  |                                   |            |       |         |                                       |            |  |                        |          |        |          |         |          |   |                 |             |          |                |   |  |              |        |       |     |        |         |       |         |       |            |   |  |                 |            |          |     |          |
| 0 PLACES                              | ±  |                                   |            |       |         |                                       |            |  |                        |          |        |          |         |          |   |                 |             |          |                |   |  |              |        |       |     |        |         |       |         |       |            |   |  |                 |            |          |     |          |
| EC NO:                                | 640263   |                                   |            |       |         |                                       |            |  |                        |          |        |          |         |          |   |                 |             |          |                |   |  |              |        |       |     |        |         |       |         |       |            |   |  |                 |            |          |     |          |
| DRWN:                                 | SSM  |                                   |            |       |         |                                       |            |  |                        |          |        |          |         |          |   |                 |             |          |                |   |  |              |        |       |     |        |         |       |         |       |            |   |  |                 |            |          |     |          |
| CHK'D:                                | RSILLER  |                                   |            |       |         |                                       |            |  |                        |          |        |          |         |          |   |                 |             |          |                |   |  |              |        |       |     |        |         |       |         |       |            |   |  |                 |            |          |     |          |
| APPR:                                 | RSILLER  |                                   |            |       |         |                                       |            |  |                        |          |        |          |         |          |   |                 |             |          |                |   |  |              |        |       |     |        |         |       |         |       |            |   |  |                 |            |          |     |          |
| DATE:                                 | 2021/04/01   |                                   |            |       |         |                                       |            |  |                        |          |        |          |         |          |   |                 |             |          |                |   |  |              |        |       |     |        |         |       |         |       |            |   |  |                 |            |          |     |          |
| DOCUMENT NUMBER                       | 1201088293   |                                   |            |       |         |                                       |            |  |                        |          |        |          |         |          |   |                 |             |          |                |   |  |              |        |       |     |        |         |       |         |       |            |   |  |                 |            |          |     |          |
| DOC TYPE                              | PSD  |                                   |            |       |         |                                       |            |  |                        |          |        |          |         |          |   |                 |             |          |                |   |  |              |        |       |     |        |         |       |         |       |            |   |  |                 |            |          |     |          |
| DOC PART                              | 000  |                                   |            |       |         |                                       |            |  |                        |          |        |          |         |          |   |                 |             |          |                |   |  |              |        |       |     |        |         |       |         |       |            |   |  |                 |            |          |     |          |
| REVISION                              | A  |                                   |            |       |         |                                       |            |  |                        |          |        |          |         |          |   |                 |             |          |                |   |  |              |        |       |     |        |         |       |         |       |            |   |  |                 |            |          |     |          |
| DIVISIONAL SYMBOLS                    | <table border="1"> <tr><td>DRWN:</td><td>MDHARMANTI</td></tr> <tr><td>APPR:</td><td>RSILLER</td></tr> <tr><td>DATE:</td><td>2020/01/30</td></tr> </table>  | DRWN:                             | MDHARMANTI | APPR: | RSILLER | DATE:                                 | 2020/01/30 | <table border="1"> <tr><td>THIRD ANGLE PROJECTION</td><td>DRAWING</td><td>SERIES</td></tr> <tr><td>⊕</td><td>A3-SIZE</td><td>120108</td></tr> </table> | THIRD ANGLE PROJECTION | DRAWING  | SERIES | ⊕        | A3-SIZE | 120108   | <table border="1"> <tr><td>MATERIAL NUMBER</td><td>SEE TABLE 1</td></tr> <tr><td>CUSTOMER</td><td>GENERAL MARKET</td></tr> </table> | MATERIAL NUMBER | SEE TABLE 1 | CUSTOMER | GENERAL MARKET | <table border="1"> <tr><td>SHEET NUMBER</td><td>1 OF 1</td></tr> </table>   |  | SHEET NUMBER | 1 OF 1 |       |     |        |         |       |         |       |            |   |  |                 |            |          |     |          |
| DRWN:                                 | MDHARMANTI   |                                   |            |       |         |                                       |            |  |                        |          |        |          |         |          |   |                 |             |          |                |   |  |              |        |       |     |        |         |       |         |       |            |   |  |                 |            |          |     |          |
| APPR:                                 | RSILLER  |                                   |            |       |         |                                       |            |  |                        |          |        |          |         |          |   |                 |             |          |                |   |  |              |        |       |     |        |         |       |         |       |            |   |  |                 |            |          |     |          |
| DATE:                                 | 2020/01/30   |                                   |            |       |         |                                       |            |  |                        |          |        |          |         |          |   |                 |             |          |                |   |  |              |        |       |     |        |         |       |         |       |            |   |  |                 |            |          |     |          |
| THIRD ANGLE PROJECTION                | DRAWING  | SERIES                            |            |       |         |                                       |            |  |                        |          |        |          |         |          |   |                 |             |          |                |   |  |              |        |       |     |        |         |       |         |       |            |   |  |                 |            |          |     |          |
| ⊕                                     | A3-SIZE  | 120108                            |            |       |         |                                       |            |  |                        |          |        |          |         |          |   |                 |             |          |                |   |  |              |        |       |     |        |         |       |         |       |            |   |  |                 |            |          |     |          |
| MATERIAL NUMBER                       | SEE TABLE 1  |                                   |            |       |         |                                       |            |  |                        |          |        |          |         |          |   |                 |             |          |                |   |  |              |        |       |     |        |         |       |         |       |            |   |  |                 |            |          |     |          |
| CUSTOMER                              | GENERAL MARKET   |                                   |            |       |         |                                       |            |  |                        |          |        |          |         |          |   |                 |             |          |                |   |  |              |        |       |     |        |         |       |         |       |            |   |  |                 |            |          |     |          |
| SHEET NUMBER                          | 1 OF 1   |                                   |            |       |         |                                       |            |  |                        |          |        |          |         |          |   |                 |             |          |                |   |  |              |        |       |     |        |         |       |         |       |            |   |  |                 |            |          |     |          |

# RJ 45

## PART No MATRIX

# RJ 45

| PIN | WIRE COLOR |
|-----|------------|
| 1   | YELLOW     |
| 2   | ORANGE     |
| 3   | WHITE      |
| 6   | BLUE       |

| PIN | WIRE COLOR |
|-----|------------|
| 1   | YELLOW     |
| 2   | ORANGE     |
| 3   | WHITE      |
| 6   | BLUE       |

SHIELD CONNECTED TO THE HOUSING

SHIELD CONNECTED TO THE HOUSING

**E 6 6 A 0 6 0 1 2 X X X X X**

E=ETHERNET/  
EtherCat

HEADS:  
6=RJ45 PLUG  
6=RJ45 PLUG

HEADS STYLE:  
060=MALE STR / MALE STR

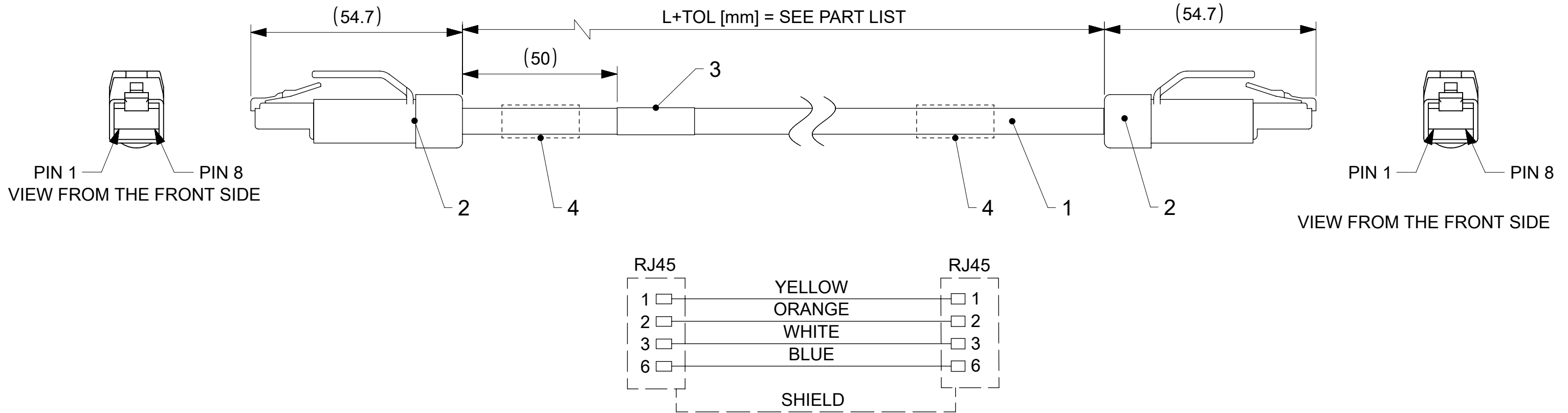
UNITS:  
M=METER  
T=10x METER  
C=CENTIMETER

LENGTH EXAMPLES:  
005=0.5  
010=1  
150=15

H= 2 PCS.  
Z / OF I/D Carrier

WIRING TYPE:  
A=4 Pole (STRAIGHT WIRED)

CABLE TYPE:



### BOM

| ITEM | QTY | DESCRIPTION                     | MMATERIAL | FINISH/COLOR |
|------|-----|---------------------------------|-----------|--------------|
| 4    | 2   | ID CARRIER - SEE MATRIX         | PVC       | TRANSPARENT  |
| 3    | 1   | LABEL                           | VINYL     | YELLOW       |
| 2    | 2   | HOUSING P20 PLUG CONNECTOR Cat5 | -         | -            |
| 1    | -   | CABLE 2x2x22AWG SHIELD          | TPU       | GREEN        |

| FUNCTIONAL SYMBOLS | THIS DRAWING CONTAINS INFORMATION THAT IS PROPRIETARY TO MOLEX ELECTRONIC TECHNOLOGIES, LLC AND SHOULD NOT BE USED WITHOUT WRITTEN PERMISSION | CURRENT REV DESC:      | molex                         |          |                 |
|--------------------|---|------------------------|-------------------------------|----------|-----------------|
| FA = 0             | DIMENSION UNITS: mm   | SCALE: 1:1             | CSE ETH ETH RJ45 WSOR RJ45 XM |          |                 |
| FE = 0             | GENERAL TOLERANCES (UNLESS SPECIFIED)   |                        | PRODUCT CUSTOMER DRAWING      |          |                 |
| FE = 0             | ANGULAR TOL ± °   | 4 PLACES ±             | DOCUMENT NUMBER               | DOC TYPE | DOC PART        |
|                    |   | 3 PLACES ±             | 1201088293                    | PSD      | 00P             |
|                    |   | 2 PLACES ±             |                               |          | A8              |
|                    |   | 1 PLACE ±              |                               |          |                 |
|                    |   | 0 PLACES ±             |                               |          |                 |
| DIVISIONAL SYMBOLS | DRAFT WHERE APPLICABLE MUST REMAIN WITHIN DIMENSIONS  | THIRD ANGLE PROJECTION | DRAWING                       | SERIES   | MATERIAL NUMBER |
|                    |   |                        | A3-SIZE                       | 120108   | SEE SHEET 2     |
|                    |   |                        |                               |          | CUSTOMER        |
|                    |   |                        |                               |          | GENERAL MARKET  |
|                    |   |                        |                               |          | SHEET NUMBER    |
|                    |   |                        |                               |          | 1 OF 2          |

NOTE:  
1. PART LIST ON SECOND SHEET


|                 |    |              |            |          |
|-----------------|----|--------------|------------|----------|
| DOCUMENT STATUS | P1 | RELEASE DATE | 2020/05/29 | 10:29:15 |
|-----------------|----|--------------|------------|----------|

PART LIST

| MOLEX PN   | ENGINEERING NO | L+Tol.[mm] |
|------------|----------------|------------|
| 1201088293 | E66A06012M010H | 1000 +40   |
| 1201088294 | E66A06012M020H | 2000 +60   |
| 1201088295 | E66A06012M050H | 5000 +60   |
| 1201088296 | E66A06012M100H | 10000 +80  |
| 1201088297 | E66A06012M150H | 15000 +140 |
| 1201088298 | E66A06012M200H | 20000 +140 |
| 1201088300 | E66A06012M030H | 3000 +60   |
| 1201088301 | E66A06012M300H | 30000 +160 |
| 1201088302 | E66A06012M500H | 50000 +500 |
| 1201088353 | E66A06012M010  | 1000 +40   |
| 1201088354 | E66A06012M020  | 2000 +60   |
| 1201088355 | E66A06012M030  | 3000 +60   |
| 1201088356 | E66A06012M040  | 4000 +60   |
| 1201088357 | E66A06012M050  | 5000 +60   |
| 1201088358 | E66A06012M060  | 6000 +80   |
| 1201088359 | E66A06012M080  | 8000 +80   |
| 1201088360 | E66A06012M090  | 9000 +80   |
| 1201088361 | E66A06012M100  | 10000 +80  |
| 1201088362 | E66A06012M120  | 12000 +140 |
| 1201088363 | E66A06012M150  | 15000 +140 |
| 1201088364 | E66A06012M200  | 20000 +140 |
| 1201088365 | E66A06012M250  | 25000 +160 |
| 1201088366 | E66A06012M300  | 30000 +160 |
| 1201088367 | E66A06012M350  | 35000 +350 |
| 1201088368 | E66A06012M400  | 40000 +400 |
| 1201088369 | E66A06012M450  | 45000 +450 |
| 1201088370 | E66A06012M500  | 50000 +500 |
| 1201088371 | E66A06012M550  | 55000 +550 |
| 1201088372 | E66A06012M600  | 60000 +600 |
| 1201088373 | E66A06012M650  | 65000 +650 |

| MOLEX PN   | ENGINEERING NO | L+Tol.[mm]   |
|------------|----------------|--------------|
| 1201088374 | E66A06012M700  | 70000 +700   |
| 1201088375 | E66A06012M750  | 75000 +750   |
| 1201088376 | E66A06012M800  | 80000 +800   |
| 1201088386 | E66A06012M700H | 70000 +700   |
| 1201088387 | E66A06012M900H | 90000 +900   |
| 1201088393 | E66A06012M002H | 200 +40      |
| 1201088394 | E66A06012M005H | 500 +40      |
| 1201088395 | E66A06012M250H | 25000 +160   |
| 1201088396 | E66A06012M400H | 40000 +400   |
| 1201088397 | E66A06012M600H | 60000 +600   |
| 1201088398 | E66A06012T100H | 100000 +1000 |
| 1201088554 | E66A06012M003  | 300 +40      |
| 1201088555 | E66A06012M006  | 600 +40      |
| 1201088655 | E66A06012M025  | 2500 +60     |
| 1201088746 | E66A06012M850  | 85000 +850   |
| 1201088747 | E66A06012M015  | 1500 +60     |
| 1201088748 | E66A06012M070  | 7000 +80     |
| 1201088815 | E66A06012M090H | 9000 +80     |
| 1201088816 | E66A06012M170H | 17000 +140   |
| 1201088817 | E66A06012M060H | 6000 +80     |
| 1201088818 | E66A06012M800H | 80000 +800   |
| 1201088819 | E66A06012M680H | 68000 +680   |
| 1201088820 | E66A06012M720H | 72000 +720   |
| 1201088821 | E66A06012M320H | 32000 +320   |
| 1201088822 | E66A06012M120H | 12000 +140   |
| 1201088823 | E66A06012M130H | 13000 +140   |
| 1201088824 | E66A06012M180H | 18000 +140   |
| 1201088825 | E66A06012M350H | 35000 +350   |
| 1201088826 | E66A06012M570H | 57000 +570   |
| 1201088827 | E66A06012M260H | 26000 +160   |

| MOLEX PN   | ENGINEERING NO. | L+Tol.[mm] |
|------------|-----------------|------------|
| 1201088828 | E66A06012M480H  | 48000 +480 |
| 1201088829 | E66A06012M350H  | 35000 +350 |
| 1201088830 | E66A06012M530H  | 53000 +530 |
| 1201088831 | E66A06012M180H  | 18000 +140 |
| 1201088832 | E66A06012M450H  | 45000 +450 |
| 1201088833 | E66A06012M080H  | 8000 +80   |
| 1201088834 | E66A06012M270H  | 27000 +160 |
| 1201088835 | E66A06012M280H  | 28000 +160 |
| 1201088836 | E66A06012M220H  | 22000 +160 |
| 1201088837 | E66A06012M210H  | 21000 +160 |
| 1201088846 | E66A06012C350H  | 350 +40    |

|  |   |                        |                    |              |  |
|--|---|------------------------|--------------------|--------------|--|
| FUNCTIONAL SYMBOLS<br>$\sqrt{A} = 0$<br>$\sqrt{E} = 0$<br>$\sqrt{P} = 0$ | THIS DRAWING CONTAINS INFORMATION THAT IS PROPRIETARY TO MOLEX ELECTRONIC TECHNOLOGIES, LLC AND SHOULD NOT BE USED WITHOUT WRITTEN PERMISSION |                        | CURRENT REV DESC:  |              | <br><br>CSE ETH ETH RJ45 WSOR RJ45 XM<br><br>PRODUCT CUSTOMER DRAWING |
|  | DIMENSION UNITS   | SCALE                  | EC NO: 638569      |              |  |
|  | mm  | 1:1                    | DRWN: MKOWALCZYK01 | 2020/05/29   |  |
|  | GENERAL TOLERANCES (UNLESS SPECIFIED)   |                        | CHK'D: DSTACHOWIAK | 2020/05/29   |  |
| DIVISIONAL SYMBOLS   | ANGULAR TOL ± °   |                        | APPR: DSTACHOWIAK  |              | 2020/05/29   |
|  | 4 PLACES  | ±                      | INITIAL REVISION:  |              | DOCUMENT NUMBER  |
|  | 3 PLACES  | ±                      | DRWN: DSTACHOWIAK  | 2016/10/20   | 1201088293   |
|  | 2 PLACES  | ±                      | APPR: MIWASIECZKO  | 2016/10/24   | PSD 00P A8   |
| 1 PLACE  | ±   | MATERIAL NUMBER        |                    | CUSTOMER     |  |
| 0 PLACES   | ±   | DRAWING                |                    | SHEET NUMBER |  |
| DRAFT WHERE APPLICABLE MUST REMAIN WITHIN DIMENSIONS                     |   | THIRD ANGLE PROJECTION | A3-SIZE            | SERIES       | 2 OF 2   |

## X-ON Electronics

Largest Supplier of Electrical and Electronic Components

*Click to view similar products for [Sensor Cables / Actuator Cables](#) category:*

*Click to view products by [Molex](#) manufacturer:*

Other Similar products are found below :

[60963](#) [60964](#) [M83513/19-F01CP](#) [703000D02F2002](#) [703001D02F0602](#) [703001D02F300](#) [704000D02F120](#) [773032K02F030](#) [802027107404-1](#)  
[802027213811-1](#) [804001A09M150](#) [805001A09M0502](#) [84914-0235](#) [84914-0237](#) [885030A09M020](#) [8R4J30E03C3003](#) [1200651332](#)  
[1200651713](#) [1200660844](#) [1200660845](#) [1200661173](#) [1200680071](#) [1200720053](#) [1200720081](#) [1200720099](#) [1200720217](#) [1200800231](#)  
[1200860125](#) [1200870123](#) [1200980102](#) [1200650267](#) [1200650298](#) [1200660183](#) [1200660782](#) [1200660849](#) [1200661295](#) [1200661297](#)  
[1200661342](#) [1200661343](#) [1200670080](#) [1200670220](#) [1200680331](#) [1200720252](#) [1200730184](#) [1200860344](#) [1200870359](#) [1200870643](#)  
[1200980008](#) [1200980031](#) [1210502211](#)