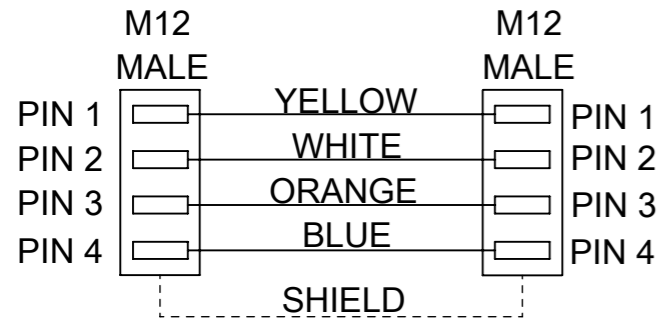


WIRING DIAGRAM



PART No MATRIX



E=ETHERNET
HEADS
1 = M12 D-Coding

HEADS STYLE:
060 = MALE STR / MALE STR

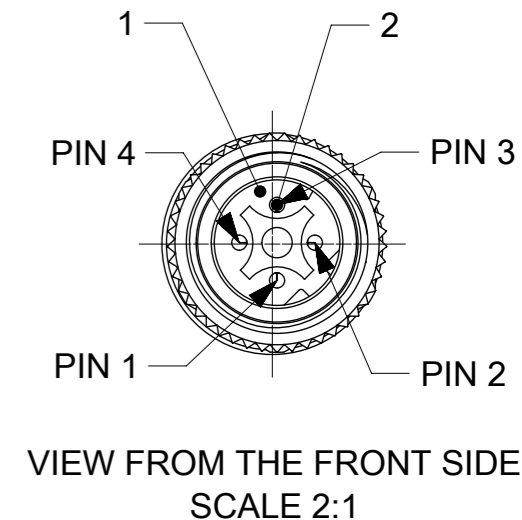
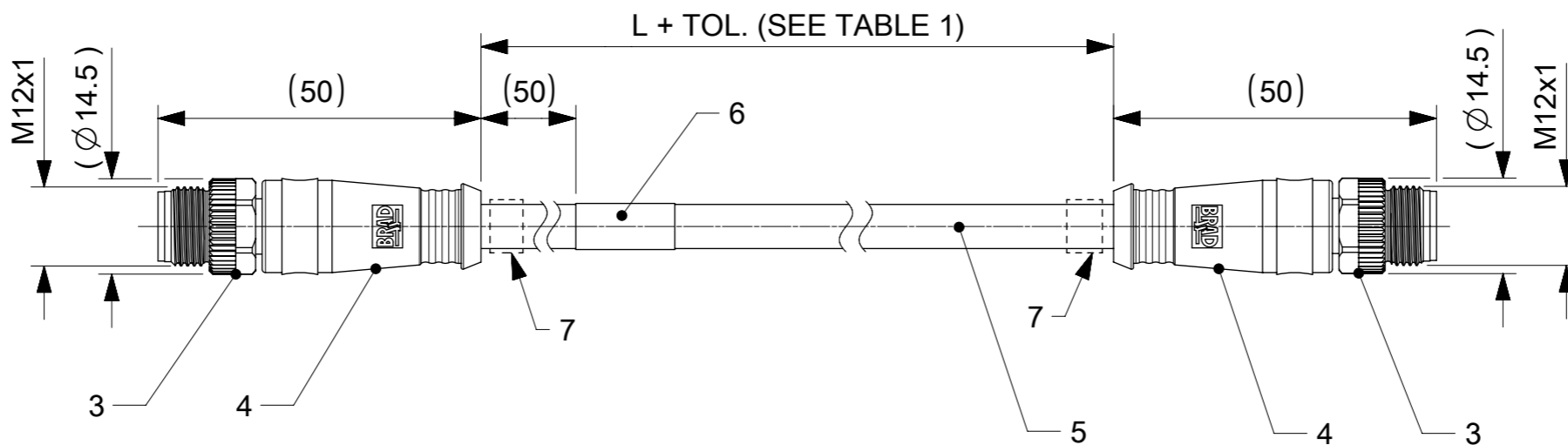
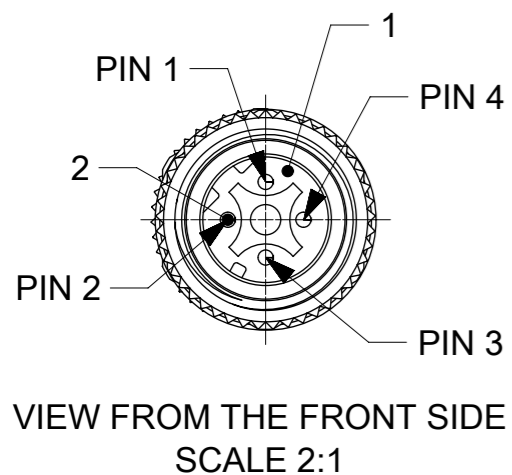
UNITS :
M= METER
T=10x METER

LENGTH EXAMPLES:
005=0.5
010=1
150=15

H=2 PCS. OF I/D Carrier

WIRING TYPE:
A=4 Pole
(STRAIGHT WIRED)

CABLE TYPE
SEE CABLE TABLE



CABLE SPECIFICATION : (FOR MORE DETAILS SEE CABLE SPECIFICATION SHEET)

CABLE TYPE	WIRE GAUGE	CABLE JACKET	UL	CSA	STATIC	FLEXING	DRAG CHAIN TESTED	OTHER
CAB-12 4P(12)	0.34mm ²	TPU GREEN	STYLE 21215	YES	-40°C TO +80°C >5xO.D.	-20°C TO +60°C >15xO.D.	2 mio CYCLES	WELD SLAG RESISTANCE

CONNECTOR SPECIFICATION :
VOLTAGE RATING : MAX. 30V
AMPERAGE RATING : 1.5A
PROTECTION : IP67
OPERATING TEMPERATURE : SEE CABLE TYPE

BOM (ID CARRIER APPLICABLE, IF ENGINEERING NO. HAS "H" {SEE PART LIST})

ITEM	QTY.	DESCRIPTION	MATERIAL	FINISH/COLOR
1	2	INSERT	PUR	BLACK
2	8	PIN CONTACT	COPPER ALLOY	GOLD OVER NICKEL PLATED
3	2	COUPLING NUT	BRASS	NICKEL PLATED
4	-	OVERMOULD	TPU	BLACK
5	-	CABLE	TPU	GREEN
6	1	LABEL	VINYL	YELLOW
7	SEE PN MATRIX	ID CARRIER	PVC	TRANSPARENT

TABLE 1


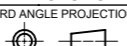
TABLE OF LENGTH TOLERANCES		
OVER	UP TO AND INCLUDING	TOLERANCE
0	1000	+40 0
1000	5000	+60 0
5000	10000	+80 0
10000	20000	+140 0
20000	30000	+160 0
30000	>	+1% OF LENGTH

FUNCTIONAL SYMBOLS	THIS DRAWING CONTAINS INFORMATION THAT IS PROPRIETARY TO MOLEX ELECTRONIC TECHNOLOGIES, LLC AND SHOULD NOT BE USED WITHOUT WRITTEN PERMISSION	SCALE	1:1	CURRENT REV DESC:
GENERAL TOLERANCES (UNLESS SPECIFIED)	mm	4 PLACES	±	EC NO: 640963
ANGULAR TOL	± 1.0°	3 PLACES	±	DRWN: MDHARMANTI 2020/07/02
DIVISIONAL SYMBOLS	± 0.05	2 PLACES	±	CHK'D: RSILLER 2020/07/07
	± 0.3	1 PLACE	±	APPR: RSILLER 2020/07/07
	± 0.5	0 PLACES	±	INITIAL REVISION:
				DRWN: BBRAUCH 2014/10/16
				APPR: CBURGER 2014/10/16
DRAFT WHERE APPLICABLE MUST REMAIN WITHIN DIMENSIONS	THIRD ANGLE PROJECTION	DRAWING	A3-SIZE	SERIES
				120108
		MATERIAL NUMBER	CUSTOMER	DOCUMENT NUMBER
		SEE SHEET 2	GENERAL MARKET	SD-120108-072
				DOC TYPE DOC PART REVISION
				PSD 001 A3
				SHEET NUMBER
				1 OF 2

PART LIST

MOLEX PN	ENGINEERING NO	L+Tol.[mm]
1201088303	E11A06012M005	500
1201088304	E11A06012M010	1000
1201088305	E11A06012M020	2000
1201088306	E11A06012M030	3000
1201088307	E11A06012M040	4000
1201088308	E11A06012M050	5000
1201088309	E11A06012M060	6000
1201088310	E11A06012M080	8000
1201088311	E11A06012M100	10000
1201088312	E11A06012M120	12000
1201088313	E11A06012M150	15000
1201088314	E11A06012M180	18000
1201088315	E11A06012M200	20000
1201088316	E11A06012M250	25000
1201088317	E11A06012M300	30000
1201088318	E11A06012M350	35000
1201088319	E11A06012M400	40000
1201088320	E11A06012M450	45000
1201088321	E11A06012M500	50000
1201088322	E11A06012M550	55000
1201088323	E11A06012M600	60000
1201088324	E11A06012M650	65000
1201088325	E11A06012M700	70000
1201088326	E11A06012M750	75000
1201088327	E11A06012M800	80000
1201088328	E11A06012M850	85000
1201088384	E11A06012M035	3500
1201088402	E11A06012M002H	200
1201088403	E11A06012M005H	500
1201088404	E11A06012M010H	1000
1201088405	E11A06012M020H	2000

MOLEX PN	ENGINEERING NO	L+Tol.[mm]
1201088406	E11A06012M030H	3000
1201088407	E11A06012M050H	5000
1201088408	E11A06012M100H	10000
1201088409	E11A06012M150H	15000
1201088410	E11A06012M200H	20000
1201088411	E11A06012M250H	25000
1201088412	E11A06012M300H	30000
1201088413	E11A06012M400H	40000
1201088414	E11A06012M500H	50000
1201088415	E11A06012M600H	60000
1201088416	E11A06012M700H	70000
1201088417	E11A06012M900H	90000
1201088507	E11A06012M230	23000
1201088508	E11A06012M270	27000
1201088536	E11A06012M080H	8000
1201088589	E11A06012M130H	13000
1201088590	E11A06012M180H	18000
1201088591	E11A06012M230H	23000
1201088653	E11A06012M025	2500
1201088669	E11A06012M060H	6000
1201088714	E11A06012M900	90000
1201088715	E11A06012M950	95000
1201088800	E11A06012M045H	4500
1201088801	E11A06012M003H	300
1201088802	E11A06012M110H	11000
1201088803	E11A06012M090H	9000
1201088804	E11A06012M065H	6500
1201088805	E11A06012M040H	4000
1201088806	E11A06012M035H	3500
1201088807	E11A06012M025H	2500
1201088907	E11A06012M070H	7000

FUNCTIONAL SYMBOLS	THIS DRAWING CONTAINS INFORMATION THAT IS PROPRIETARY TO MOLEX ELECTRONIC TECHNOLOGIES, LLC AND SHOULD NOT BE USED WITHOUT WRITTEN PERMISSION		CURRENT REV DESC:						
	DIMENSION UNITS	SCALE							
$\nabla_A = 0$	mm	1:1	EC NO: 640963 DRWN: MDHARMANTI 2020/07/02 CHK'D: RSILLER 2020/07/07 APPR: RSILLER 2020/07/07 INITIAL REVISION: DRWN: BBRAUCH 2014/10/16 APPR: CBURGER 2014/10/16		CSE M12 ETH 4P DC MA STR WSOR XM DE				
$\nabla_F = 0$	GENERAL TOLERANCES (UNLESS SPECIFIED)				PRODUCT CUSTOMER DRAWING				
$\nabla_V = 0$	ANGULAR TOL $\pm 1.0^\circ$				DOCUMENT NUMBER				
DIVISIONAL SYMBOLS	4 PLACES	\pm			SD-120108-072		DOC TYPE	DOC PART	REVISION
	3 PLACES	\pm			PSD		001	A3	
	2 PLACES	± 0.05	MATERIAL NUMBER		CUSTOMER				
	1 PLACE	± 0.3	SEE PART LIST		GENERAL MARKET				
	0 PLACES	± 0.5	SERIES		SHEET NUMBER				
	DRAFT WHERE APPLICABLE MUST REMAIN WITHIN DIMENSIONS		THIRD ANGLE PROJECTION	DRAWING	SERIES	MATERIAL NUMBER	CUSTOMER	SHEET NUMBER	
				A3-SIZE	120108	SEE PART LIST	GENERAL MARKET	2 OF 2	

X-ON Electronics

Largest Supplier of Electrical and Electronic Components

Click to view similar products for [Sensor Cables / Actuator Cables](#) category:

Click to view products by [Molex](#) manufacturer:

Other Similar products are found below :

[1300070444](#) [43-10984](#) [M83513/19-F01CP](#) [704000D02F120](#) [MDM15SH001K](#) [MDM25PH003BF222](#) [802027107404-1](#) [885030A09M010](#)
[885030A09M020](#) [1200650174](#) [1200651332](#) [1200651713](#) [1200660171](#) [1200660208](#) [1200660343](#) [1200660804](#) [1200660845](#) [1200660926](#)
[1200660977](#) [1200661173](#) [1200661354](#) [120066-1712](#) [1200720053](#) [1200720099](#) [1200720153](#) [1200720172](#) [1200720217](#) [1200720226](#)
[1200720251](#) [1200720285](#) [1200720296](#) [1200720404](#) [1200730148](#) [1200730378](#) [1200800231](#) [1200860112](#) [1200860121](#) [1200860125](#)
[1200860337](#) [1200860365](#) [1200860420](#) [1200870046](#) [1200870248](#) [1200980102](#) [1200660181](#) [1200660183](#) [1200660827](#) [1200660849](#)
[1200661170](#) [1200661295](#)