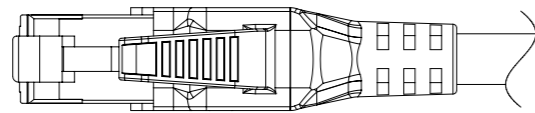
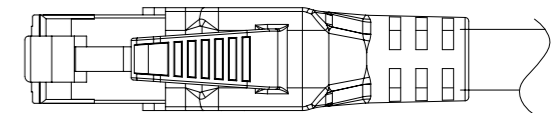


PLUG RJ45 STRAIGHT TO PLUG RJ45 STRAIGHT

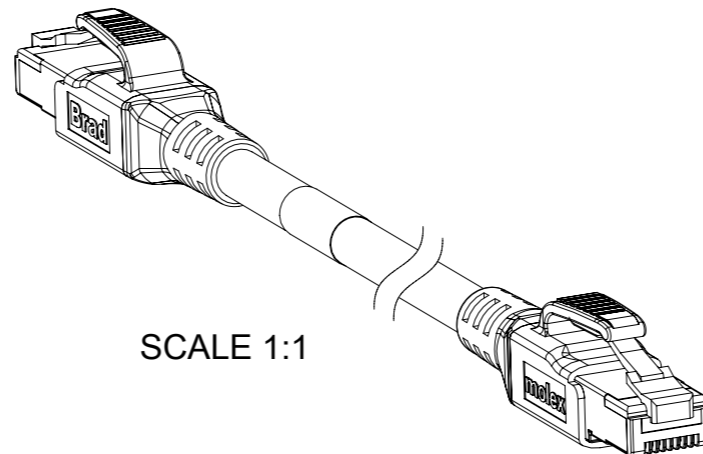
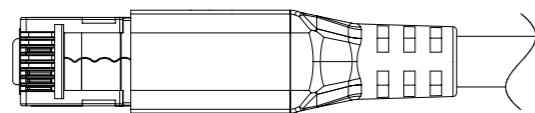
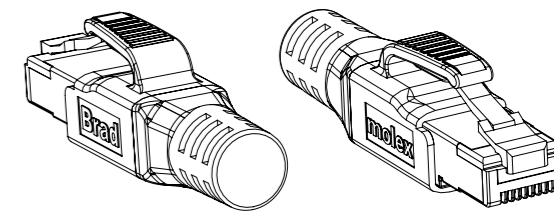
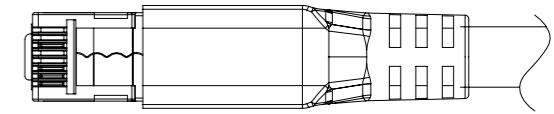
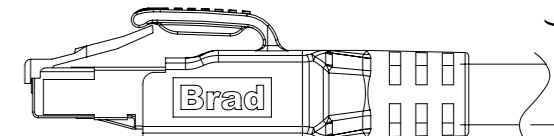
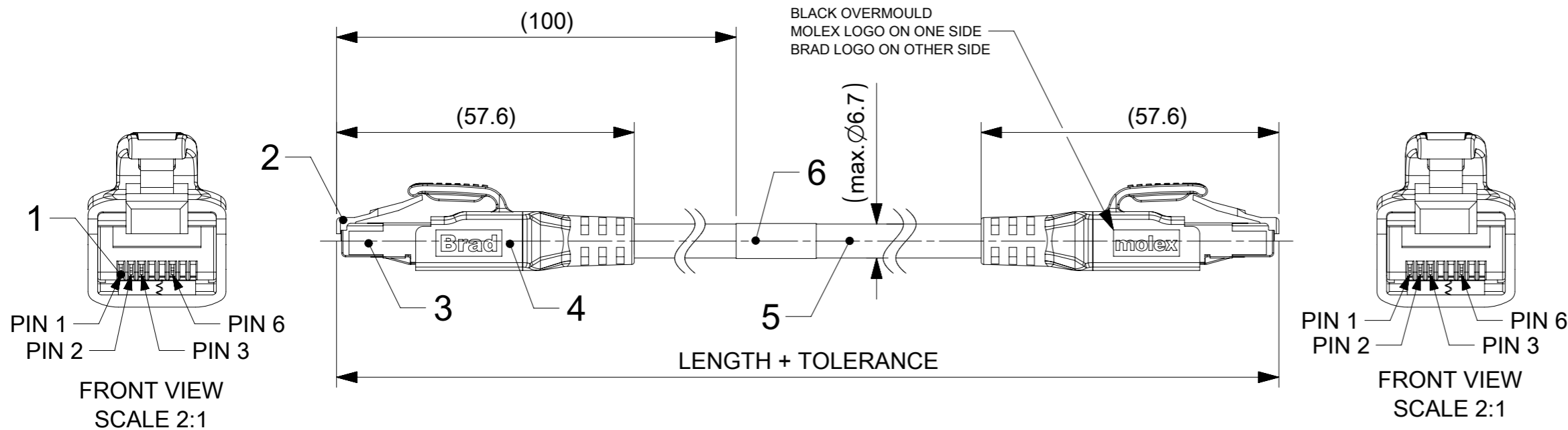
OVERMOLD VIEW FOR CABLES O.D. ≤ 6.7mm



OVERMOLD VIEW FOR CABLES O.D. ≥ 6.7mm



(max. Ø8.5)



SCALE 1:1

NOTES:

1. MATERIALS : SEE BOM TABLE
2. FINISHES: SEE BOM TABLE
3. ELECTRICAL DATA:
MAX. VOLTAGE RATING 60 VDC
MAX. CURRENT PER CONTACT 1.5 A
4. ENVIRONMENTAL PARAMETERS FOR CONNECTOR:
STATIC OPERATING TEMP: -40°C to +85°C
INDEX OF PROTECTION RJ45: IP20
5. FOR MORE INFORMATION SEE PRODUCT SPECIFICATION 1201080202 PS P00
6. FOR CABLE 11 - ELECTRICAL TESTING ACC. TO 1201200100
TRANSMISSION TEST ACCORDING TO ISO/IEC 11801 CLASS D CHANNEL
FOR CABLE 12, 16 - ELECTRICAL TESTING ACC. TO 1201200100
TRANSMISSION TEST ACCORDING TO ISO/IEC 11801 CATEGORY 5e
PATCH CORD PROFINET TYPE C

BOM

ITEM	QTY.	DESCRIPTION	MATERIAL	FINISH
6	1	LABEL	VINYL	---
5	-	CABLE	SEE SHEET 2	---
4	-	OVERMOULDING BLACK	TPU	---
3	2	SHIELD	BRASS	TIN
2	2	PLUG RJ45 TRANSPARENT	POLYCARBONATE	---
1	8 or 16	CONTACT RJ45 MALE	PHOSPHOR BRONZE	SELECTIVE GOLD

FUNCTIONAL SYMBOLS ▽A = 0 ▽E = 0 ▽V = 0	THIS DRAWING CONTAINS INFORMATION THAT IS PROPRIETARY TO MOLEX ELECTRONIC TECHNOLOGIES, LLC AND SHOULD NOT BE USED WITHOUT WRITTEN PERMISSION	CURRENT REV DESC:		molex	
	DIMENSION UNITS: mm	SCALE: 1:1	EC NO: 689781		
DIVISIONAL SYMBOLS	GENERAL TOLERANCES (UNLESS SPECIFIED)	DRWN: JMARSZALEK		2016/10/10	
	ANGULAR TOL ± 1.0°	CHK'D: RSILLER		2021/12/21	
	4 PLACES ±	APPR: RSILLER		2021/12/21	
	3 PLACES ±	INITIAL REVISION:		DOCUMENT NUMBER	
	2 PLACES ± 0.05	DRWN: JMARSZALEK		1201080202	
	1 PLACE ± 0.3	APPR: RSILLER		PSD 000 A	
	0 PLACES ± 0.5	THIRD ANGLE PROJECTION		DOC TYPE DOC PART REVISION	
	DRAFT WHERE APPLICABLE MUST REMAIN WITHIN DIMENSIONS	DRAWING: A3-SIZE		SERIES: 120108	
		MATERIAL NUMBER: SEE PART LIST		CUSTOMER: GENERAL MARKET	
		SHEET NUMBER: 1 OF 3			

NUMERICAL CODE (Available parts see PART LIST table. Other parts available upon request)

OPTIONS

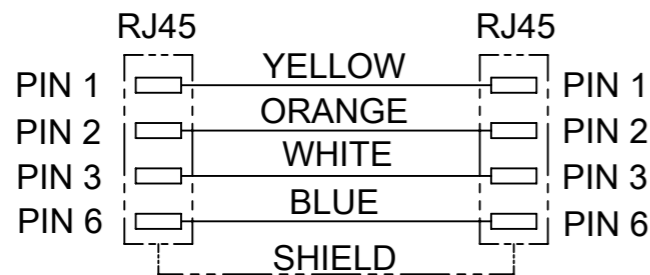
E 6 6 A 0 6 0 X X M X X X X

- E=Ethernet
- Heads: 66=Double ended RJ45
- Wiring type
- Heads style: 060=RJ45 Plug STR / RJ45 Plug STR
- Cable type: See cable table
- Units: M=Meter C=Centimeter
- Length Examples: 005=0.5 units, 010=1 units, 150=15 units
- H= 2 pcs. of I/D Carrier

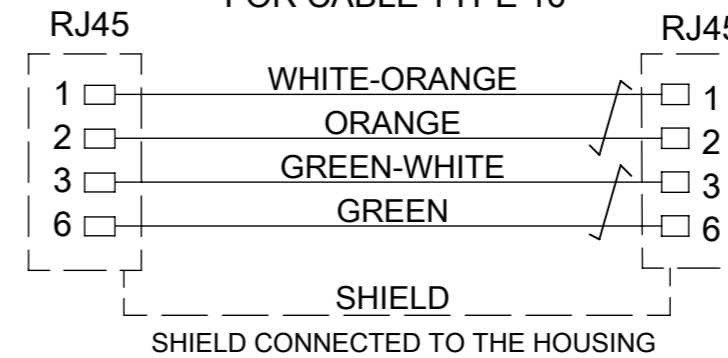
CABLE INFORMATION (for more information see Cable Data Sheet).

CABLE TYPE	CABLE O.D.	APPLICATION	CROSS SECTION	CABLE JACKET	UL	TEMP. RANGE STATIC BENDING RADIUS STATIC	TEMP. RANGE DYNAMIC BENDING RADIUS DYNAMIC	CYCLES	ADDITIONAL INFORMATION
11	6.7mm	PROFINET TYPE C	22AWG	PUR GREEN	STYLE 20236	-20°C to +60°C / min.5xO.D.	-20°C to +60°C / min.15xO.D.	about 2M	-
12	6.7mm	PROFINET TYPE B	22AWG	TPU BASED GREEN	STYLE 21215	-40°C to +80°C / min.5xO.D.	-25°C to +80°C / min.15xO.D.	about 2M min.15xO.D., -5°C to +60°C	WSOR
16	6.5mm	-	24AWG	TPU BASED TEAL	STYLE 21215	-40°C to +80°C / min.6xO.D.	-20°C to +50°C	1M min.10xO.D. / 2M min.20xO.D. @20°C	WSOR

WIRING DIAGRAM FOR CABLE TYPE 11, 12



WIRING DIAGRAM FOR CABLE TYPE 16



LENGTH	TOLERANCE
0m-1m	+40 mm
>1m-5m	+60 mm
>5m-10m	+80 mm
>10m-20m	+140 mm
>20m-30m	+160 mm
>30m	+1% length

FUNCTIONAL SYMBOLS	THIS DRAWING CONTAINS INFORMATION THAT IS PROPRIETARY TO MOLEX ELECTRONIC TECHNOLOGIES, LLC AND SHOULD NOT BE USED WITHOUT WRITTEN PERMISSION	CURRENT REV DESC:		molex																										
<table border="1"> <tr> <th>FUNCTIONAL SYMBOLS</th> <th>DIMENSION UNITS</th> <th>SCALE</th> </tr> <tr> <td>$\nabla/A = 0$</td> <td>mm</td> <td>1:1</td> </tr> <tr> <td>$\nabla/E = 0$</td> <td colspan="2">GENERAL TOLERANCES (UNLESS SPECIFIED)</td> </tr> <tr> <td>$\nabla/F = 0$</td> <td colspan="2">ANGULAR TOL $\pm 1.0^\circ$</td> </tr> <tr> <td></td> <td>4 PLACES</td> <td>\pm</td> </tr> <tr> <td></td> <td>3 PLACES</td> <td>\pm</td> </tr> <tr> <td></td> <td>2 PLACES</td> <td>± 0.05</td> </tr> <tr> <td></td> <td>1 PLACE</td> <td>± 0.3</td> </tr> <tr> <td></td> <td>0 PLACES</td> <td>± 0.5</td> </tr> </table>	FUNCTIONAL SYMBOLS	DIMENSION UNITS	SCALE			$\nabla/A = 0$	mm	1:1	$\nabla/E = 0$	GENERAL TOLERANCES (UNLESS SPECIFIED)		$\nabla/F = 0$	ANGULAR TOL $\pm 1.0^\circ$			4 PLACES	\pm		3 PLACES	\pm		2 PLACES	± 0.05		1 PLACE	± 0.3		0 PLACES	± 0.5	EC NO: 689781 DRWN: JMARSZALEK 2016/10/10 CHK'D: RSILLER 2021/12/21 APPR: RSILLER 2021/12/21
FUNCTIONAL SYMBOLS	DIMENSION UNITS	SCALE																												
$\nabla/A = 0$	mm	1:1																												
$\nabla/E = 0$	GENERAL TOLERANCES (UNLESS SPECIFIED)																													
$\nabla/F = 0$	ANGULAR TOL $\pm 1.0^\circ$																													
	4 PLACES	\pm																												
	3 PLACES	\pm																												
	2 PLACES	± 0.05																												
	1 PLACE	± 0.3																												
	0 PLACES	± 0.5																												
PRODUCT CUSTOMER DRAWING				DOCUMENT NUMBER	DOC TYPE	DOC PART	REVISION																							
				1201080202	PSD	000	A																							
DRAFT WHERE APPLICABLE MUST REMAIN WITHIN DIMENSIONS		THIRD ANGLE PROJECTION	DRAWING	SERIES	MATERIAL NUMBER	CUSTOMER	SHEET NUMBER																							
			A3-SIZE	120108	SEE PART LIST	GENERAL MARKET	2 OF 3																							

PART LIST

No.	Part No.	Engineering No.	Cable Length
1	1201080202	E66A06011M020	2m
2	1201080207	E66A06011M005	0.5m
3	1201080267	E66A06011M010	1m
4	1201080269	E66A06011M030	3m
5	1201080270	E66A06011M040	4m
6	1201080271	E66A06011M050	5m
7	1201080272	E66A06011M060	6m
8	1201080273	E66A06011M100	10m
9	1201080274	E66A06011M150	15m
10	1201080275	E66A06011M200	20m
11	1201080276	E66A06011M250	25m
12	1201080277	E66A06011M300	30m
13	1201080278	E66A06011M500	50m
14	1201080577	E66A06017M005	0.5m
15	1201080578	E66A06017M010	1m
16	1201080579	E66A06017M020	2m
17	1201088112	E66A06011M120	12m
18	1201088113	E66A06011M400	40m
19	1201088114	E66A06011M600	60m
20	1201088115	E66A06011M800	80m
21	1201088119	E66A06011C650	65m
22	1201088128	E66A06011M070	7m
23	1201088129	E66A06011M090	9m
24	1201088197	E66A06011M900	90m
25	1201088248	E66A06011M700	70m
26	1201088265	E66A06011M020H	2m
27	1201088280	E66A06011M010H	1m
28	1201088281	E66A06011M030H	3m
29	1201088293	E66A06012M010H	1m
30	1201088294	E66A06012M020H	2m
31	1201088295	E66A06012M050H	5m
32	1201088296	E66A06012M100H	10m
33	1201088297	E66A06012M150H	15m
34	1201088298	E66A06012M200H	20m
35	1201088300	E66A06012M030H	3m

No.	Part No.	Engineering No.	Cable Length
36	1201088301	E66A06012M300H	30m
37	1201088302	E66A06012M500H	50m
38	1201088353	E66A06012M010	1m
39	1201088354	E66A06012M020	2m
40	1201088355	E66A06012M030	3m
41	1201088356	E66A06012M040	4m
42	1201088357	E66A06012M050	5m
43	1201088358	E66A06012M060	6m
44	1201088359	E66A06012M080	8m
45	1201088360	E66A06012M090	9m
46	1201088361	E66A06012M100	10m
47	1201088362	E66A06012M120	12m
48	1201088363	E66A06012M150	15m
49	1201088364	E66A06012M200	20m
50	1201088365	E66A06012M250	25m
51	1201088366	E66A06012M300	30m
52	1201088367	E66A06012M350	35m
53	1201088368	E66A06012M400	40m
54	1201088369	E66A06012M450	45m
55	1201088370	E66A06012M500	50m
56	1201088371	E66A06012M550	55m
57	1201088372	E66A06012M600	60m
58	1201088373	E66A06012M650	65m
59	1201088374	E66A06012M700	70m
60	1201088375	E66A06012M750	75m
61	1201088376	E66A06012M800	80m
62	1201088386	E66A06012M700H	70m
63	1201088387	E66A06012M900H	90m
64	1201088393	E66A06012M002H	0.2m
65	1201088394	E66A06012M005H	0.5m
66	1201088395	E66A06012M250H	25m
67	1201088396	E66A06012M400H	40m
68	1201088397	E66A06012M600H	60m
69	1201088398	E66A06012M1K0H	100m
70	1201088474	E66A06016M010	1m

No.	Part No.	Engineering No.	Cable Length
71	1201088475	E66A06016M020	2m
72	1201088476	E66A06016M030	3m
73	1201088477	E66A06016M040	4m
74	1201088478	E66A06016M050	5m
75	1201088479	E66A06016M060	6m
76	1201088480	E66A06016M080	8m
77	1201088481	E66A06016M090	9m
78	1201088482	E66A06016M100	10m
79	1201088483	E66A06016M120	12m
80	1201088484	E66A06016M150	15m
81	1201088485	E66A06016M200	20m
82	1201088486	E66A06016M250	25m
83	1201088487	E66A06016M300	30m
84	1201088488	E66A06016M350	35m
85	1201088489	E66A06016M400	40m
86	1201088490	E66A06016M450	45m
87	1201088491	E66A06016M500	50m
88	1201088492	E66A06016M550	55m
89	1201088493	E66A06016M600	60m
90	1201088494	E66A06016M650	65m
91	1201088495	E66A06016M700	70m
92	1201088496	E66A06016M750	75m
93	1201088497	E66A06016M800	80m
94	1201088528	E66A06016M850	85m
95	1201088529	E66A06016M900	90m
96	1201088532	E66A06016M005	0.5m
97	1201088554	E66A06012M003	0.3m
98	1201088555	E66A06012M006	0.6m
99	1201088556	E66A06016M003	0.3m
100	1201088557	E66A06016M006	0.6m
101			
102			
103			
104			
105			

No.	Part No.	Engineering No.	Cable Length
106			
107			
108			
109			
110			
111			
112			
113			
114			
115			
116			
117			
118			
119			
120			
121			
122			
123			
124			
125			
126			
127			
128			
129			
130			
131			
132			
133			
134			
135			
136			
137			
138			
139			
140			

FUNCTIONAL SYMBOLS 	THIS DRAWING CONTAINS INFORMATION THAT IS PROPRIETARY TO MOLEX ELECTRONIC TECHNOLOGIES, LLC AND SHOULD NOT BE USED WITHOUT WRITTEN PERMISSION		CURRENT REV DESC:		
	DIMENSION UNITS: mm SCALE: 1:1	GENERAL TOLERANCES (UNLESS SPECIFIED) ANGULAR TOL ± 1.0° 4 PLACES ± 3 PLACES ± 2 PLACES ± 0.05 1 PLACE ± 0.3 0 PLACES ± 0.5		EC NO: 689781 DRWN: JMARSZALEK 2016/10/10 CHK'D: RSILLER 2021/12/21 APPR: RSILLER 2021/12/21	
DIVISIONAL SYMBOLS	DRAFT WHERE APPLICABLE MUST REMAIN WITHIN DIMENSIONS		THIRD ANGLE PROJECTION		DOCUMENT NUMBER: 1201080202
DRW: JMARSZALEK 2016/02/08 APPR: RSILLER 2021/12/21		DRAWING: A3-SIZE SERIES: 120108		DOC TYPE: PSD DOC PART: 000 REVISION: A	
MATERIAL NUMBER: SEE PART LIST		CUSTOMER: GENERAL MARKET		SHEET NUMBER: 3 OF 3	

PART No. MATRIX

E 6 6 A 0 6 0 1 2 M X X X X

E=ETHERNET

HEADS:
6 = RJ45 PLUG
6 = RJ45 PLUG

HEADS STYLE:
060 = MALE STR / MALE STR

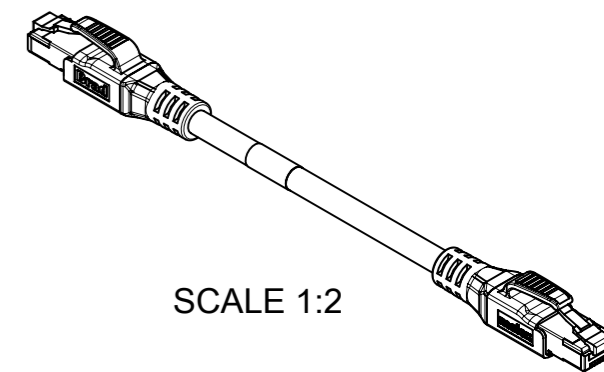
CABLE TYPE:
CABLE 12

UNITS:
M= METER
T= 10xMETER

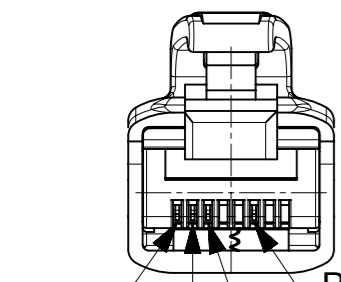
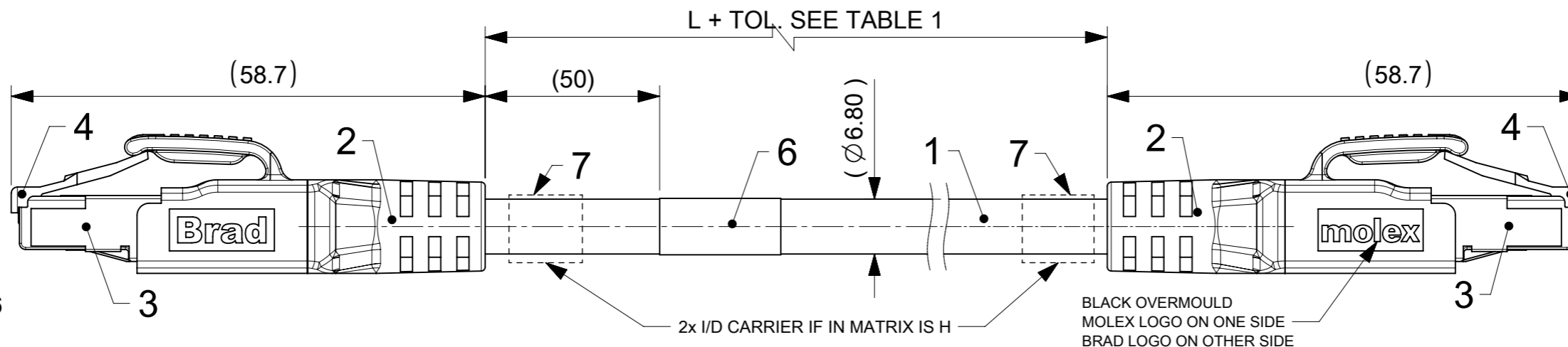
LENGTH EXAMPLES:
005=0.5 m
010=1 m
150=15 m
T100=100 m

H= 2 PCS. OF I/D Carrier

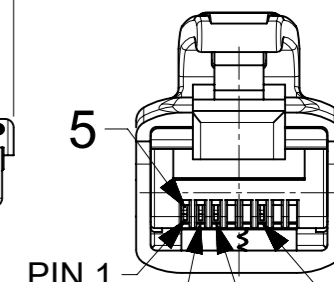
WIRING TYPE:
A=4 Pole (STRAIGHT WIRED)



SCALE 1:2



PIN 1
PIN 2
PIN 3
PIN 6
CONNECTOR PIN ASSIGNMENT
VIEW FROM THE FRONT SIDE
SCALE 2:1



PIN 1
PIN 2
PIN 3
PIN 6
CONNECTOR PIN ASSIGNMENT
VIEW FROM THE FRONT SIDE
SCALE 2:1

TABLE 1

MOLEX PN	ENGINEERING NO	L (m)
1201088393	E66A06012M002H	0.2
1201088554	E66A06012M003	0.3
1201088394	E66A06012M005H	0.5
1201088555	E66A06012M006	0.6
1201088353	E66A06012M010	1
1201088293	E66A06012M010H	1
1201088747	E66A06012M015	1.5
1201088354	E66A06012M020	2
1201088294	E66A06012M020H	2
1201088655	E66A06012M025	2.5
1201088355	E66A06012M030	3
1201088300	E66A06012M030H	3
1201088356	E66A06012M040	4
1201088357	E66A06012M050	5
1201088295	E66A06012M050H	5
1201088358	E66A06012M060	6
1201088748	E66A06012M070	7
1201088359	E66A06012M080	8
1201088360	E66A06012M090	9
1201088361	E66A06012M100	10
1201088296	E66A06012M100H	10
1201088362	E66A06012M120	12
1201088363	E66A06012M150	15
1201088297	E66A06012M150H	15

MOLEX PN	ENGINEERING NO	L (m)
1201088364	E66A06012M200	20
1201088298	E66A06012M200H	20
1201088365	E66A06012M250	25
1201088395	E66A06012M250H	25
1201088366	E66A06012M300	30
1201088301	E66A06012M300H	30
1201088367	E66A06012M350	35
1201088368	E66A06012M400	40
1201088396	E66A06012M400H	40
1201088369	E66A06012M450	45
1201088370	E66A06012M500	50
1201088302	E66A06012M500H	50
1201088371	E66A06012M550	55
1201088372	E66A06012M600	60
1201088397	E66A06012M600H	60
1201088373	E66A06012M650	65
1201088374	E66A06012M700	70
1201088386	E66A06012M700H	70
1201088375	E66A06012M750	75
1201088376	E66A06012M800	80
1201088746	E66A06012M850	85
1201088387	E66A06012M900H	90
1201088398	E66A06012T100H	100

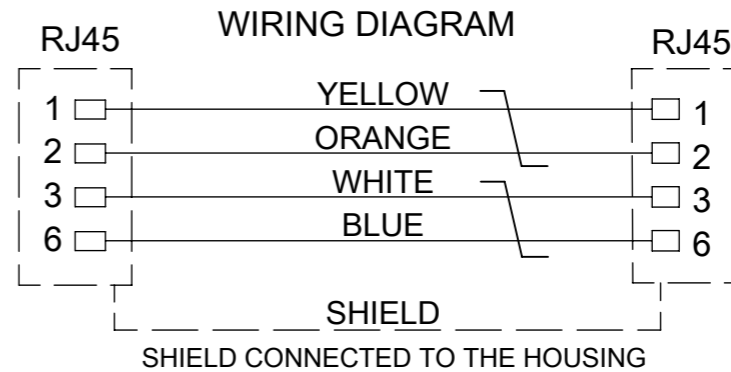


TABLE 2

LENGTH	TOLERANCE
0m-1m	+40 mm
>1m-5m	+60 mm
>5m-10m	+80 mm
>10m-20m	+140 mm
>20m-30m	+160 mm
>30m	+1% length

TECHNICAL DATA :
RJ45 to RJ45 CAT5e Cordset AWG22
straight green inline 360° shielded.

Poles : 4
Max. Voltage : 30V A.C. or 42V D.C.
Max. Current : 1.5A
Contact resistance : ≤10 mΩ
Insulation Withstand : >100MΩ
Protection RJ45 / RJ45 : IP20 / IP20
Temperature range : -25°C to 85°C

Transmission characteristics
ACCORDING TO ISO 11801 CATEGORY 5e
PATCH CORD PROFINET TYPE C

Packaging :
The cordsets are packed in a polybag.

BOM

* NOTE : ID CARRIER APPLICABLE, IF ENGINEERING No. HAS "H" (SEE TABLE1)

ITEM	QTY	DESCRIPTION	MATERIAL	FINISH/COLOR
7	2	ID CARRIER	PVC	TRANSPARENT
6	1	LABEL 2.0X1.75	VINYL	YELLOW
5	8	CONTACT RJ45	PHOSPHOR BRONZE	SELECTIVE GOLD
4	1	PLUG RJ45 TRANSPARENT	PC	-
3	1	SHIELD	BRASS	TIN
2	-	MOULDING MATERIAL	TPU	BLACK
1	-	CABLE 2x2x22AWG SHIELD	TPU	GREEN

FUNCTIONAL SYMBOLS	THIS DRAWING CONTAINS INFORMATION THAT IS PROPRIETARY TO MOLEX ELECTRONIC TECHNOLOGIES, LLC AND SHOULD NOT BE USED WITHOUT WRITTEN PERMISSION	CURRENT REV DESC: INITIAL RELEASE																																				
	<table border="1"> <tr><td>mm</td><td>3:2</td></tr> <tr><td colspan="2">GENERAL TOLERANCES (UNLESS SPECIFIED)</td></tr> <tr><td>ANGULAR TOL</td><td>± °</td></tr> <tr><td>4 PLACES</td><td>±</td></tr> <tr><td>3 PLACES</td><td>±</td></tr> <tr><td>2 PLACES</td><td>±</td></tr> <tr><td>1 PLACE</td><td>±</td></tr> <tr><td>0 PLACES</td><td>±</td></tr> </table>	mm	3:2			GENERAL TOLERANCES (UNLESS SPECIFIED)		ANGULAR TOL	± °	4 PLACES	±	3 PLACES	±	2 PLACES	±	1 PLACE	±	0 PLACES	±	<table border="1"> <tr><td>EC NO:</td><td>640263</td></tr> <tr><td>DRWN:</td><td>SSM</td></tr> <tr><td>CHK'D:</td><td>RSILLER</td></tr> <tr><td>APPR:</td><td>RSILLER</td></tr> <tr><td>DATE:</td><td>2021/04/01</td></tr> </table>		EC NO:	640263	DRWN:	SSM	CHK'D:	RSILLER	APPR:	RSILLER	DATE:	2021/04/01	<table border="1"> <tr><td>DOCUMENT NUMBER</td><td>1201088293</td></tr> <tr><td>DOC TYPE</td><td>PSD</td></tr> <tr><td>DOC PART</td><td>000</td></tr> <tr><td>REVISION</td><td>A</td></tr> </table>		DOCUMENT NUMBER	1201088293	DOC TYPE	PSD	DOC PART
mm	3:2																																					
GENERAL TOLERANCES (UNLESS SPECIFIED)																																						
ANGULAR TOL	± °																																					
4 PLACES	±																																					
3 PLACES	±																																					
2 PLACES	±																																					
1 PLACE	±																																					
0 PLACES	±																																					
EC NO:	640263																																					
DRWN:	SSM																																					
CHK'D:	RSILLER																																					
APPR:	RSILLER																																					
DATE:	2021/04/01																																					
DOCUMENT NUMBER	1201088293																																					
DOC TYPE	PSD																																					
DOC PART	000																																					
REVISION	A																																					
DIVISIONAL SYMBOLS	<table border="1"> <tr><td>DRWN:</td><td>MDHARMANTI</td></tr> <tr><td>APPR:</td><td>RSILLER</td></tr> <tr><td>DATE:</td><td>2020/01/30</td></tr> </table>	DRWN:	MDHARMANTI	APPR:	RSILLER	DATE:	2020/01/30	<table border="1"> <tr><td>THIRD ANGLE PROJECTION</td><td>DRAWING</td><td>SERIES</td></tr> <tr><td>⊕</td><td>A3-SIZE</td><td>120108</td></tr> </table>	THIRD ANGLE PROJECTION	DRAWING	SERIES	⊕	A3-SIZE	120108	<table border="1"> <tr><td>MATERIAL NUMBER</td><td>SEE TABLE 1</td></tr> <tr><td>CUSTOMER</td><td>GENERAL MARKET</td></tr> </table>	MATERIAL NUMBER	SEE TABLE 1	CUSTOMER	GENERAL MARKET	<table border="1"> <tr><td>SHEET NUMBER</td><td>1 OF 1</td></tr> </table>		SHEET NUMBER	1 OF 1															
DRWN:	MDHARMANTI																																					
APPR:	RSILLER																																					
DATE:	2020/01/30																																					
THIRD ANGLE PROJECTION	DRAWING	SERIES																																				
⊕	A3-SIZE	120108																																				
MATERIAL NUMBER	SEE TABLE 1																																					
CUSTOMER	GENERAL MARKET																																					
SHEET NUMBER	1 OF 1																																					

RJ 45

PART No MATRIX

RJ 45

PIN	WIRE COLOR
1	YELLOW
2	ORANGE
3	WHITE
6	BLUE

PIN	WIRE COLOR
1	YELLOW
2	ORANGE
3	WHITE
6	BLUE

SHIELD CONNECTED TO THE HOUSING

SHIELD CONNECTED TO THE HOUSING

E 6 6 A 0 6 0 1 2 X X X X X

E=ETHERNET/
EtherCat

HEADS:
6=RJ45 PLUG
6=RJ45 PLUG

HEADS STYLE:
060=MALE STR / MALE STR

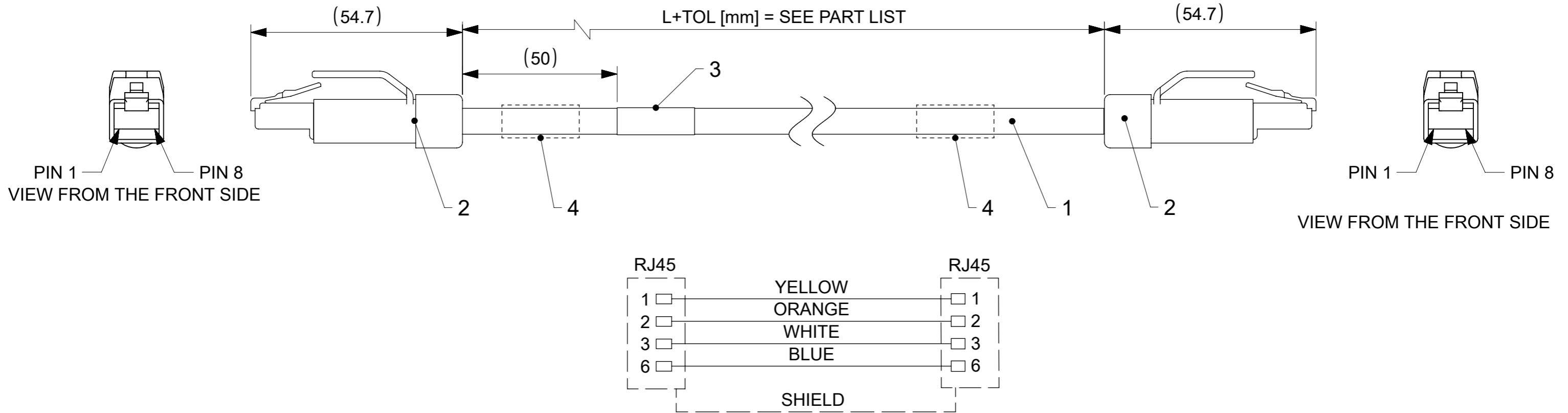
UNITS:
M=METER
T=10x METER
C=CENTIMETER

LENGTH EXAMPLES:
005=0.5
010=1
150=15

H= 2 PCS.
Z / OF I/D Carrier

WIRING TYPE:
A=4 Pole (STRAIGHT WIRED)

CABLE TYPE:



RJ45		RJ45
1	YELLOW	1
2	ORANGE	2
3	WHITE	3
6	BLUE	6
SHIELD		

BOM

ITEM	QTY	DESCRIPTION	MMATERIAL	FINISH/COLOR
4	2	ID CARRIER - SEE MATRIX	PVC	TRANSPARENT
3	1	LABEL	VINYL	YELLOW
2	2	HOUSING P20 PLUG CONNECTOR Cat5	-	-
1	-	CABLE 2x2x22AWG SHIELD	TPU	GREEN

FUNCTIONAL SYMBOLS $\nabla_A = 0$ $\nabla_E = 0$ $\nabla_P = 0$	THIS DRAWING CONTAINS INFORMATION THAT IS PROPRIETARY TO MOLEX ELECTRONIC TECHNOLOGIES, LLC AND SHOULD NOT BE USED WITHOUT WRITTEN PERMISSION	CURRENT REV DESC:					
	DIMENSION UNITS: mm	SCALE: 1:1	EC NO: 638569				
	GENERAL TOLERANCES (UNLESS SPECIFIED)	4 PLACES ±		DRWN: MKOWALCZYK01	2020/05/29	CSE ETH ETH RJ45 WSOR RJ45 XM	
	ANGULAR TOL ± °	3 PLACES ±		CHK'D: DSTACHOWIAK	2020/05/29	PRODUCT CUSTOMER DRAWING	
DIVISIONAL SYMBOLS	2 PLACES ±		APPR: DSTACHOWIAK	2020/05/29	DOCUMENT NUMBER: 1201088293		
1 PLACE ±		INITIAL REVISION:		DOC TYPE: PSD	DOC PART: 00P	REVISION: A8	
0 PLACES ±		DRWN: DSTACHOWIAK		2016/10/20	MATERIAL NUMBER: SEE SHEET 2		
DRAFT WHERE APPLICABLE MUST REMAIN WITHIN DIMENSIONS		THIRD ANGLE PROJECTION	DRAWING: A3-SIZE	SERIES: 120108	CUSTOMER: GENERAL MARKET	SHEET NUMBER: 1 OF 2	


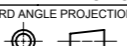
NOTE:
1. PART LIST ON SECOND SHEET

PART LIST

MOLEX PN	ENGINEERING NO	L+Tol.[mm]
1201088293	E66A06012M010H	1000 +40
1201088294	E66A06012M020H	2000 +60
1201088295	E66A06012M050H	5000 +60
1201088296	E66A06012M100H	10000 +80
1201088297	E66A06012M150H	15000 +140
1201088298	E66A06012M200H	20000 +140
1201088300	E66A06012M030H	3000 +60
1201088301	E66A06012M300H	30000 +160
1201088302	E66A06012M500H	50000 +500
1201088353	E66A06012M010	1000 +40
1201088354	E66A06012M020	2000 +60
1201088355	E66A06012M030	3000 +60
1201088356	E66A06012M040	4000 +60
1201088357	E66A06012M050	5000 +60
1201088358	E66A06012M060	6000 +80
1201088359	E66A06012M080	8000 +80
1201088360	E66A06012M090	9000 +80
1201088361	E66A06012M100	10000 +80
1201088362	E66A06012M120	12000 +140
1201088363	E66A06012M150	15000 +140
1201088364	E66A06012M200	20000 +140
1201088365	E66A06012M250	25000 +160
1201088366	E66A06012M300	30000 +160
1201088367	E66A06012M350	35000 +350
1201088368	E66A06012M400	40000 +400
1201088369	E66A06012M450	45000 +450
1201088370	E66A06012M500	50000 +500
1201088371	E66A06012M550	55000 +550
1201088372	E66A06012M600	60000 +600
1201088373	E66A06012M650	65000 +650

MOLEX PN	ENGINEERING NO	L+Tol.[mm]
1201088374	E66A06012M700	70000 +700
1201088375	E66A06012M750	75000 +750
1201088376	E66A06012M800	80000 +800
1201088386	E66A06012M700H	70000 +700
1201088387	E66A06012M900H	90000 +900
1201088393	E66A06012M002H	200 +40
1201088394	E66A06012M005H	500 +40
1201088395	E66A06012M250H	25000 +160
1201088396	E66A06012M400H	40000 +400
1201088397	E66A06012M600H	60000 +600
1201088398	E66A06012T100H	100000 +1000
1201088554	E66A06012M003	300 +40
1201088555	E66A06012M006	600 +40
1201088655	E66A06012M025	2500 +60
1201088746	E66A06012M850	85000 +850
1201088747	E66A06012M015	1500 +60
1201088748	E66A06012M070	7000 +80
1201088815	E66A06012M090H	9000 +80
1201088816	E66A06012M170H	17000 +140
1201088817	E66A06012M060H	6000 +80
1201088818	E66A06012M800H	80000 +800
1201088819	E66A06012M680H	68000 +680
1201088820	E66A06012M720H	72000 +720
1201088821	E66A06012M320H	32000 +320
1201088822	E66A06012M120H	12000 +140
1201088823	E66A06012M130H	13000 +140
1201088824	E66A06012M180H	18000 +140
1201088825	E66A06012M350H	35000 +350
1201088826	E66A06012M570H	57000 +570
1201088827	E66A06012M260H	26000 +160

MOLEX PN	ENGINEERING NO.	L+Tol.[mm]
1201088828	E66A06012M480H	48000 +480
1201088829	E66A06012M350H	35000 +350
1201088830	E66A06012M530H	53000 +530
1201088831	E66A06012M180H	18000 +140
1201088832	E66A06012M450H	45000 +450
1201088833	E66A06012M080H	8000 +80
1201088834	E66A06012M270H	27000 +160
1201088835	E66A06012M280H	28000 +160
1201088836	E66A06012M220H	22000 +160
1201088837	E66A06012M210H	21000 +160
1201088846	E66A06012C350H	350 +40

FUNCTIONAL SYMBOLS $\sqrt{A} = 0$ $\sqrt{E} = 0$ $\sqrt{P} = 0$	THIS DRAWING CONTAINS INFORMATION THAT IS PROPRIETARY TO MOLEX ELECTRONIC TECHNOLOGIES, LLC AND SHOULD NOT BE USED WITHOUT WRITTEN PERMISSION		CURRENT REV DESC:				
	DIMENSION UNITS	SCALE	EC NO: 638569				
	mm	1:1	DRWN: MKOWALCZYK01 2020/05/29				
	GENERAL TOLERANCES (UNLESS SPECIFIED)		CHK'D: DSTACHOWIAK 2020/05/29				
DIVISIONAL SYMBOLS	ANGULAR TOL ± °		APPR: DSTACHOWIAK 2020/05/29		PRODUCT CUSTOMER DRAWING		
	4 PLACES ±	INITIAL REVISION:					
	3 PLACES ±	DRWN: DSTACHOWIAK 2016/10/20					
	2 PLACES ±	APPR: MIWASIECZKO 2016/10/24					
1 PLACE ±	DOCUMENT NUMBER		DOC TYPE	DOC PART	REVISION		
0 PLACES ±	1201088293		PSD	00P	A8		
DRAFT WHERE APPLICABLE MUST REMAIN WITHIN DIMENSIONS		THIRD ANGLE PROJECTION	DRAWING	SERIES	MATERIAL NUMBER	CUSTOMER	SHEET NUMBER
			A3-SIZE	120108	SEE PART LIST	GENERAL MARKET	2 OF 2

X-ON Electronics

Largest Supplier of Electrical and Electronic Components

Click to view similar products for [Sensor Cables / Actuator Cables](#) category:

Click to view products by [Molex](#) manufacturer:

Other Similar products are found below :

[60963](#) [60964](#) [703000D02F2002](#) [703001D02F0602](#) [703001D02F300](#) [704000D02F120](#) [773032K02F030](#) [802027107404-1](#) [802027213811-1](#)
[804001A09M150](#) [805001A09M0502](#) [84914-0235](#) [84914-0237](#) [885030A09M020](#) [8R4J30E03C3003](#) [1200651332](#) [1200651713](#) [1200660844](#)
[1200660845](#) [1200661173](#) [1200680071](#) [1200720053](#) [1200720081](#) [1200720099](#) [1200720217](#) [1200800231](#) [1200860125](#) [1200870123](#)
[1200980102](#) [1200650267](#) [1200650298](#) [1200660183](#) [1200660782](#) [1200660849](#) [1200661295](#) [1200661297](#) [1200661342](#) [1200661343](#)
[1200670080](#) [1200670220](#) [1200680331](#) [1200720252](#) [1200730184](#) [1200860344](#) [1200870359](#) [1200870643](#) [1200980008](#) [1200980031](#)
[1210502211](#) [1210400542](#)