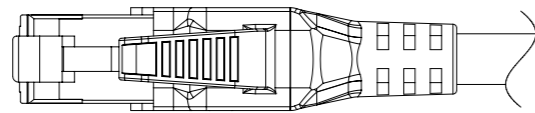
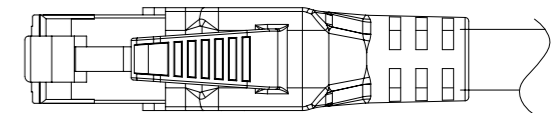


PLUG RJ45 STRAIGHT TO PLUG RJ45 STRAIGHT

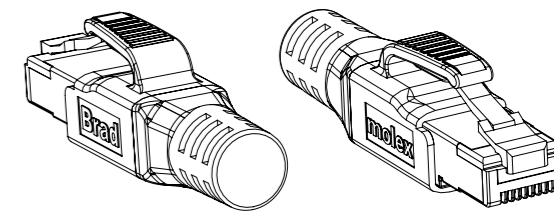
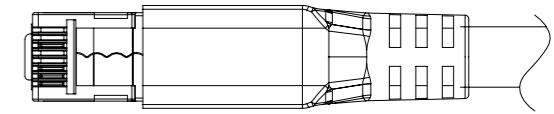
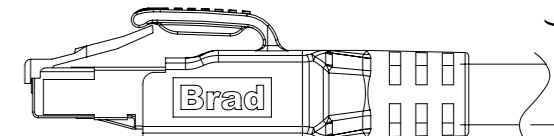
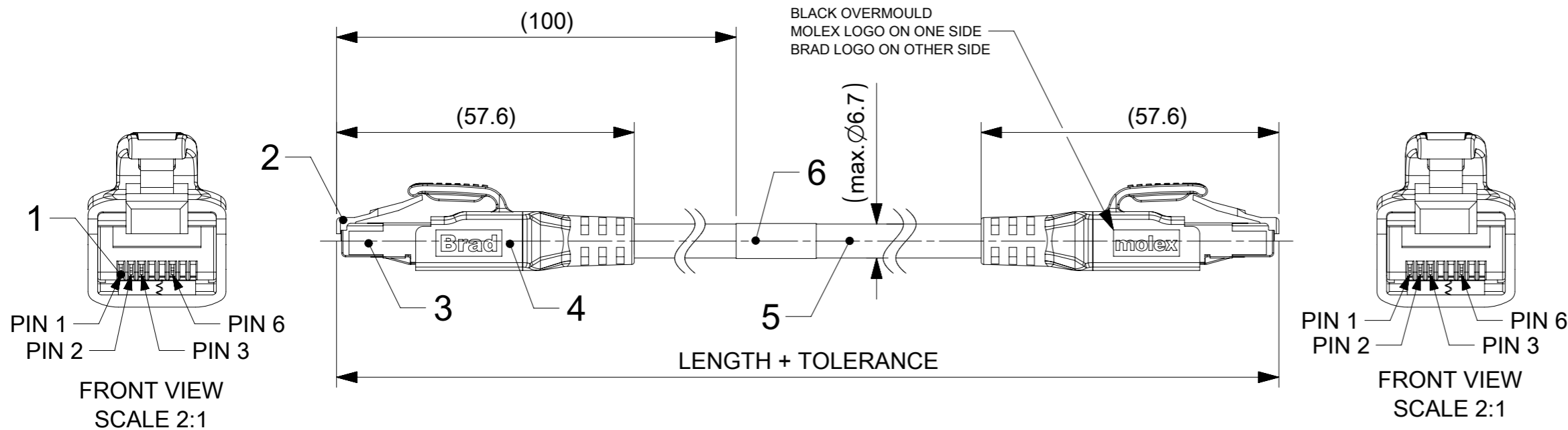
OVERMOLD VIEW FOR CABLES O.D. ≤ 6.7mm



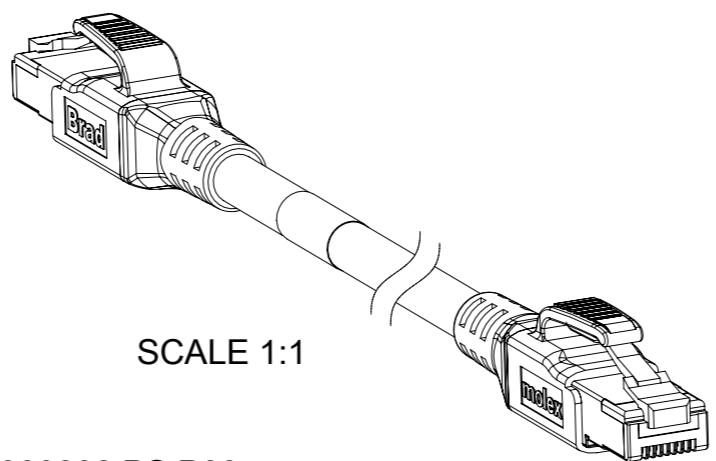
OVERMOLD VIEW FOR CABLES O.D. ≥ 6.7mm



(max. Ø8.5)



- NOTES:**
1. MATERIALS : SEE BOM TABLE
 2. FINISHES: SEE BOM TABLE
 3. ELECTRICAL DATA:
MAX. VOLTAGE RATING 60 VDC
MAX. CURRENT PER CONTACT 1.5 A
 4. ENVIRONMENTAL PARAMETERS FOR CONNECTOR:
STATIC OPERATING TEMP: -40°C to +85°C
INDEX OF PROTECTION RJ45: IP20
 5. FOR MORE INFORMATION SEE PRODUCT SPECIFICATION 1201080202 PS P00
 6. FOR CABLE 11 - ELECTRICAL TESTING ACC. TO 1201200100
TRANSMISSION TEST ACCORDING TO ISO/IEC 11801 CLASS D CHANNEL
FOR CABLE 12, 16 - ELECTRICAL TESTING ACC. TO 1201200100
TRANSMISSION TEST ACCORDING TO ISO/IEC 11801 CATEGORY 5e
PATCH CORD PROFINET TYPE C



BOM

ITEM	QTY.	DESCRIPTION	MATERIAL	FINISH
6	1	LABEL	VINYL	---
5	-	CABLE	SEE SHEET 2	---
4	-	OVERMOULDING BLACK	TPU	---
3	2	SHIELD	BRASS	TIN
2	2	PLUG RJ45 TRANSPARENT	POLYCARBONATE	---
1	8 or 16	CONTACT RJ45 MALE	PHOSPHOR BRONZE	SELECTIVE GOLD

FUNCTIONAL SYMBOLS ▽A = 0 ▽E = 0 ▽V = 0	THIS DRAWING CONTAINS INFORMATION THAT IS PROPRIETARY TO MOLEX ELECTRONIC TECHNOLOGIES, LLC AND SHOULD NOT BE USED WITHOUT WRITTEN PERMISSION	CURRENT REV DESC:			
	DIMENSION UNITS: mm	SCALE: 1:1	EC NO: 689781		
DIVISIONAL SYMBOLS	GENERAL TOLERANCES (UNLESS SPECIFIED)	DRWN: JMARSZALEK 2016/10/10		CSE RJ45 RJ45 8P4C MA STR XM DE	
	ANGULAR TOL ± 1.0°	CHK'D: RSILLER 2021/12/21		PRODUCT CUSTOMER DRAWING	
	4 PLACES ±	APPR: RSILLER 2021/12/21		DOCUMENT NUMBER: 1201080202	
	3 PLACES ±	INITIAL REVISION:		DOC TYPE: PSD	DOC PART: 000
	2 PLACES ± 0.05	DRWN: JMARSZALEK 2016/02/08		SHEET NUMBER: 1 OF 3	REVISION: A
	1 PLACE ± 0.3	APPR: RSILLER 2021/12/21		MATERIAL NUMBER: SEE PART LIST	
	0 PLACES ± 0.5	DRAFT WHERE APPLICABLE MUST REMAIN WITHIN DIMENSIONS		CUSTOMER: GENERAL MARKET	
		THIRD ANGLE PROJECTION	DRAWING: A3-SIZE	SERIES: 120108	

NUMERICAL CODE (Available parts see PART LIST table. Other parts available upon request)

OPTIONS

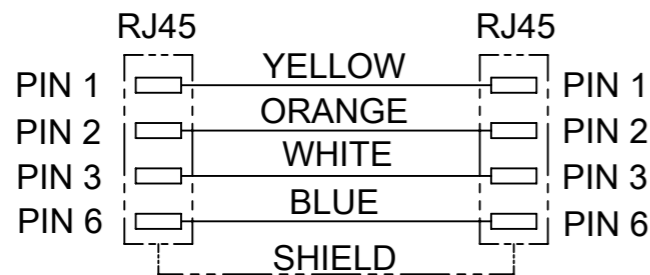
E 6 6 A 0 6 0 X X M X X X X

- E=Ethernet
- Heads: 66=Double ended RJ45
- Wiring type
- Heads style: 060=RJ45 Plug STR / RJ45 Plug STR
- Cable type: See cable table
- Units: M=Meter C=Centimeter
- Length Examples: 005=0.5 units, 010=1 units, 150=15 units
- H= 2 pcs. of I/D Carrier

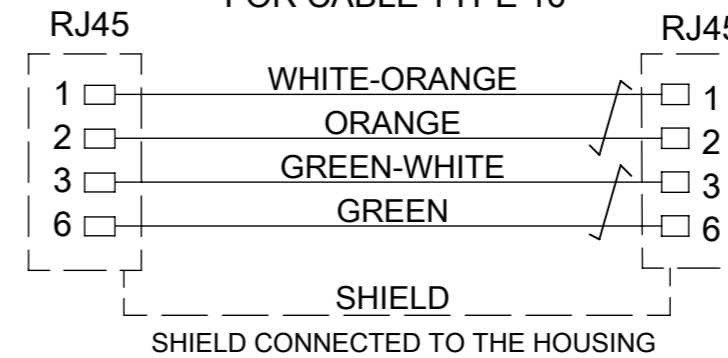
CABLE INFORMATION (for more information see Cable Data Sheet).

CABLE TYPE	CABLE O.D.	APPLICATION	CROSS SECTION	CABLE JACKET	UL	TEMP. RANGE STATIC BENDING RADIUS STATIC	TEMP. RANGE DYNAMIC BENDING RADIUS DYNAMIC	CYCLES	ADDITIONAL INFORMATION
11	6.7mm	PROFINET TYPE C	22AWG	PUR GREEN	STYLE 20236	-20°C to +60°C / min.5xO.D.	-20°C to +60°C / min.15xO.D.	about 2M	-
12	6.7mm	PROFINET TYPE B	22AWG	TPU BASED GREEN	STYLE 21215	-40°C to +80°C / min.5xO.D.	-25°C to +80°C / min.15xO.D.	about 2M min.15xO.D., -5°C to +60°C	WSOR
16	6.5mm	-	24AWG	TPU BASED TEAL	STYLE 21215	-40°C to +80°C / min.6xO.D.	-20°C to +50°C	1M min.10xO.D. / 2M min.20xO.D. @20°C	WSOR

WIRING DIAGRAM FOR CABLE TYPE 11, 12



WIRING DIAGRAM FOR CABLE TYPE 16



LENGTH	TOLERANCE
0m-1m	+40 mm
>1m-5m	+60 mm
>5m-10m	+80 mm
>10m-20m	+140 mm
>20m-30m	+160 mm
>30m	+1% length

FUNCTIONAL SYMBOLS	THIS DRAWING CONTAINS INFORMATION THAT IS PROPRIETARY TO MOLEX ELECTRONIC TECHNOLOGIES, LLC AND SHOULD NOT BE USED WITHOUT WRITTEN PERMISSION	CURRENT REV DESC:		molex																										
<table border="1"> <tr> <th>FUNCTIONAL SYMBOLS</th> <th>DIMENSION UNITS</th> <th>SCALE</th> </tr> <tr> <td>$\nabla/A = 0$</td> <td>mm</td> <td>1:1</td> </tr> <tr> <td>$\nabla/E = 0$</td> <td colspan="2">GENERAL TOLERANCES (UNLESS SPECIFIED)</td> </tr> <tr> <td>$\nabla/F = 0$</td> <td colspan="2">ANGULAR TOL $\pm 1.0^\circ$</td> </tr> <tr> <td></td> <td>4 PLACES</td> <td>\pm</td> </tr> <tr> <td></td> <td>3 PLACES</td> <td>\pm</td> </tr> <tr> <td></td> <td>2 PLACES</td> <td>± 0.05</td> </tr> <tr> <td></td> <td>1 PLACE</td> <td>± 0.3</td> </tr> <tr> <td></td> <td>0 PLACES</td> <td>± 0.5</td> </tr> </table>	FUNCTIONAL SYMBOLS	DIMENSION UNITS	SCALE			$\nabla/A = 0$	mm	1:1	$\nabla/E = 0$	GENERAL TOLERANCES (UNLESS SPECIFIED)		$\nabla/F = 0$	ANGULAR TOL $\pm 1.0^\circ$			4 PLACES	\pm		3 PLACES	\pm		2 PLACES	± 0.05		1 PLACE	± 0.3		0 PLACES	± 0.5	EC NO: 689781 DRWN: JMARSZALEK 2016/10/10 CHK'D: RSILLER 2021/12/21 APPR: RSILLER 2021/12/21
FUNCTIONAL SYMBOLS	DIMENSION UNITS	SCALE																												
$\nabla/A = 0$	mm	1:1																												
$\nabla/E = 0$	GENERAL TOLERANCES (UNLESS SPECIFIED)																													
$\nabla/F = 0$	ANGULAR TOL $\pm 1.0^\circ$																													
	4 PLACES	\pm																												
	3 PLACES	\pm																												
	2 PLACES	± 0.05																												
	1 PLACE	± 0.3																												
	0 PLACES	± 0.5																												
PRODUCT CUSTOMER DRAWING				DOCUMENT NUMBER	DOC TYPE	DOC PART	REVISION																							
				1201080202	PSD	000	A																							
DRAFT WHERE APPLICABLE MUST REMAIN WITHIN DIMENSIONS		THIRD ANGLE PROJECTION	DRAWING	SERIES	MATERIAL NUMBER	CUSTOMER	SHEET NUMBER																							
			A3-SIZE	120108	SEE PART LIST	GENERAL MARKET	2 OF 3																							

PART LIST

No.	Part No.	Engineering No.	Cable Length
1	1201080202	E66A06011M020	2m
2	1201080207	E66A06011M005	0.5m
3	1201080267	E66A06011M010	1m
4	1201080269	E66A06011M030	3m
5	1201080270	E66A06011M040	4m
6	1201080271	E66A06011M050	5m
7	1201080272	E66A06011M060	6m
8	1201080273	E66A06011M100	10m
9	1201080274	E66A06011M150	15m
10	1201080275	E66A06011M200	20m
11	1201080276	E66A06011M250	25m
12	1201080277	E66A06011M300	30m
13	1201080278	E66A06011M500	50m
14	1201080577	E66A06017M005	0.5m
15	1201080578	E66A06017M010	1m
16	1201080579	E66A06017M020	2m
17	1201088112	E66A06011M120	12m
18	1201088113	E66A06011M400	40m
19	1201088114	E66A06011M600	60m
20	1201088115	E66A06011M800	80m
21	1201088119	E66A06011C650	65m
22	1201088128	E66A06011M070	7m
23	1201088129	E66A06011M090	9m
24	1201088197	E66A06011M900	90m
25	1201088248	E66A06011M700	70m
26	1201088265	E66A06011M020H	2m
27	1201088280	E66A06011M010H	1m
28	1201088281	E66A06011M030H	3m
29	1201088293	E66A06012M010H	1m
30	1201088294	E66A06012M020H	2m
31	1201088295	E66A06012M050H	5m
32	1201088296	E66A06012M100H	10m
33	1201088297	E66A06012M150H	15m
34	1201088298	E66A06012M200H	20m
35	1201088300	E66A06012M030H	3m

No.	Part No.	Engineering No.	Cable Length
36	1201088301	E66A06012M300H	30m
37	1201088302	E66A06012M500H	50m
38	1201088353	E66A06012M010	1m
39	1201088354	E66A06012M020	2m
40	1201088355	E66A06012M030	3m
41	1201088356	E66A06012M040	4m
42	1201088357	E66A06012M050	5m
43	1201088358	E66A06012M060	6m
44	1201088359	E66A06012M080	8m
45	1201088360	E66A06012M090	9m
46	1201088361	E66A06012M100	10m
47	1201088362	E66A06012M120	12m
48	1201088363	E66A06012M150	15m
49	1201088364	E66A06012M200	20m
50	1201088365	E66A06012M250	25m
51	1201088366	E66A06012M300	30m
52	1201088367	E66A06012M350	35m
53	1201088368	E66A06012M400	40m
54	1201088369	E66A06012M450	45m
55	1201088370	E66A06012M500	50m
56	1201088371	E66A06012M550	55m
57	1201088372	E66A06012M600	60m
58	1201088373	E66A06012M650	65m
59	1201088374	E66A06012M700	70m
60	1201088375	E66A06012M750	75m
61	1201088376	E66A06012M800	80m
62	1201088386	E66A06012M700H	70m
63	1201088387	E66A06012M900H	90m
64	1201088393	E66A06012M002H	0.2m
65	1201088394	E66A06012M005H	0.5m
66	1201088395	E66A06012M250H	25m
67	1201088396	E66A06012M400H	40m
68	1201088397	E66A06012M600H	60m
69	1201088398	E66A06012M1K0H	100m
70	1201088474	E66A06016M010	1m

No.	Part No.	Engineering No.	Cable Length
71	1201088475	E66A06016M020	2m
72	1201088476	E66A06016M030	3m
73	1201088477	E66A06016M040	4m
74	1201088478	E66A06016M050	5m
75	1201088479	E66A06016M060	6m
76	1201088480	E66A06016M080	8m
77	1201088481	E66A06016M090	9m
78	1201088482	E66A06016M100	10m
79	1201088483	E66A06016M120	12m
80	1201088484	E66A06016M150	15m
81	1201088485	E66A06016M200	20m
82	1201088486	E66A06016M250	25m
83	1201088487	E66A06016M300	30m
84	1201088488	E66A06016M350	35m
85	1201088489	E66A06016M400	40m
86	1201088490	E66A06016M450	45m
87	1201088491	E66A06016M500	50m
88	1201088492	E66A06016M550	55m
89	1201088493	E66A06016M600	60m
90	1201088494	E66A06016M650	65m
91	1201088495	E66A06016M700	70m
92	1201088496	E66A06016M750	75m
93	1201088497	E66A06016M800	80m
94	1201088528	E66A06016M850	85m
95	1201088529	E66A06016M900	90m
96	1201088532	E66A06016M005	0.5m
97	1201088554	E66A06012M003	0.3m
98	1201088555	E66A06012M006	0.6m
99	1201088556	E66A06016M003	0.3m
100	1201088557	E66A06016M006	0.6m
101			
102			
103			
104			
105			

No.	Part No.	Engineering No.	Cable Length
106			
107			
108			
109			
110			
111			
112			
113			
114			
115			
116			
117			
118			
119			
120			
121			
122			
123			
124			
125			
126			
127			
128			
129			
130			
131			
132			
133			
134			
135			
136			
137			
138			
139			
140			

FUNCTIONAL SYMBOLS 	THIS DRAWING CONTAINS INFORMATION THAT IS PROPRIETARY TO MOLEX ELECTRONIC TECHNOLOGIES, LLC AND SHOULD NOT BE USED WITHOUT WRITTEN PERMISSION										
	DIMENSION UNITS mm	SCALE 1:1			CSE RJ45 RJ45 8P4C MA STR XM DE						
	GENERAL TOLERANCES (UNLESS SPECIFIED) ANGULAR TOL ± 1.0°		EC NO: 689781 DRWN: JMARSZALEK 2016/10/10 CHK'D: RSILLER 2021/12/21 APPR: RSILLER 2021/12/21								
	DIVISIONAL SYMBOLS 4 PLACES ± 3 PLACES ± 2 PLACES ± 0.05 1 PLACE ± 0.3 0 PLACES ± 0.5		INITIAL REVISION: DRWN: JMARSZALEK 2016/02/08 APPR: RSILLER 2021/12/21								
DRAFT WHERE APPLICABLE MUST REMAIN WITHIN DIMENSIONS		THIRD ANGLE PROJECTION	DRAWING A3-SIZE	SERIES 120108	DOCUMENT NUMBER 1201080202	DOC TYPE PSD	DOC PART 000	REVISION A	MATERIAL NUMBER SEE PART LIST	CUSTOMER GENERAL MARKET	SHEET NUMBER 3 OF 3

10

9

8

7

6

5

4

3

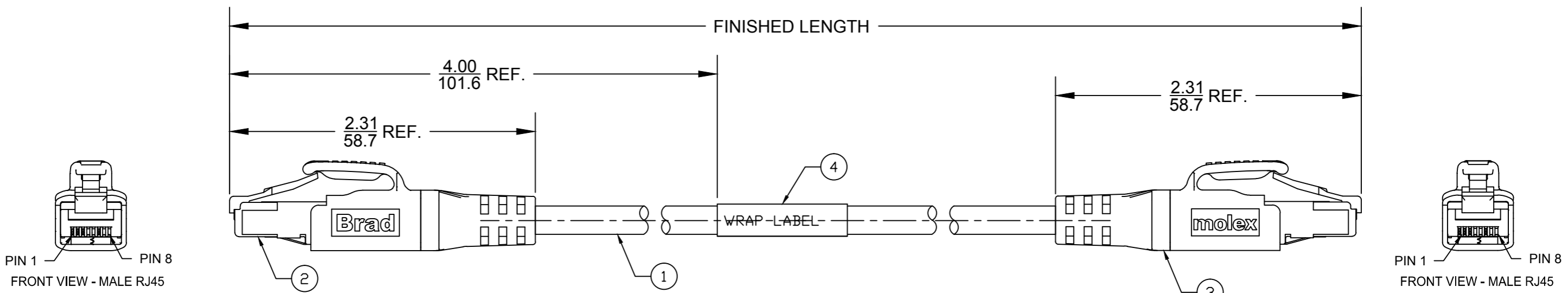
2

1

MATERIAL NUMBER	ENG. NUMBER	FINISHED LENGTH [M]
1201088474	E66A06016M010	1.0 M
1201088486	E66A06016M250	25.0 M

F

E



NOTES:

STANDARDS:
PROTECTION: IP20

WRAP LABEL:
MARKED WITH P/N, DATE CODE, VOLTAGE & AMPERAGE

ELECTRICAL
ACCORDING TO CAT5e
VOLTAGE RATING: 125V AC/DC
AMPERAGE: 1.5A

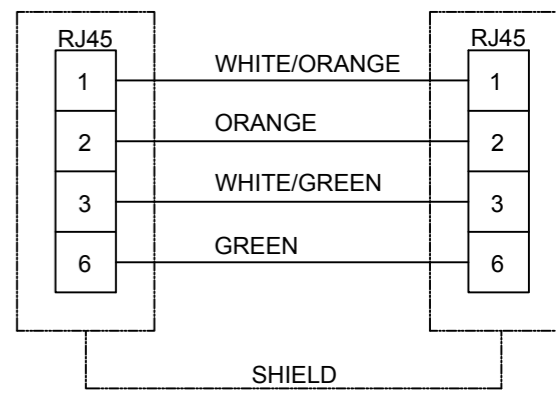
PART MATRIX

CABLE TYPE	24 AWG TPU-TEAL
E66A06016M005	
LENGTH	M005 = 0.5M M050 = 5M M250 = 25M

©

CABLE LENGTH TOLERANCES

>.3M [1FT]:	+19mm-0 [+0.75in-0]
.3 - .9M [1 - 3FT]:	+44.5mm-0 [+1.75in-0]
.9 - 1.8M [3 - 6FT]:	+55.6mm-0 [+2.19in-0]
1.8 - 3.7M [6 - 12FT]:	+88.9mm-0 [+3.50in-0]
3.7 - 7.3M [12 - 24FT]:	+165.1mm-0 [+6.50in-0]
7.3-14.6M [24 - 48FT]:	+317.5mm-0 [+12.50in-0]
14.6 - 30.5M [48-100FT]:	+622.3mm-0 [+24.50in-0]
OVER 30M [100FT]	+2% OF FINISHED LENGTH



WIRING DIAGRAM

ADDITIONAL CABLE INFORMATION

PHYSICAL CHARACTERISTICS:

CONDUCTOR SIZE	24AWG 2 PAIR (19/0.12mm) BARE COPPER
INSULATION MATERIAL	POLYOLEFIN
SHIELD/BRAID	TINNED COPPER 85% COVERAGE
JACKET MATERIAL	TPU (TEAL)
CONDUCTOR TAPE	ORANGE, ORANGE-WHITE & GREEN, GREEN-WHITE ALUMINUM-POLYESTER

B

CABLE:

TEMPERATURE RATING (STORAGE)	-40 / +80°C
TEMPERATURE RATING (OPERATION)	-20 / +50°C
WELD SLAG RESISTANCE	YES, S-300 MOLEX TEST
FREE SUBSTANCE'S	FCKW, SILICONE, AND PB
FIRE PERFORMANCE	IEC60332-1, UL1581
OIL RESISTANCE	ISO6722, UL758/2556

A

4	LABEL	VINYL	BLACK/YELLOW
3	RJ45 OVERMOLD	TPU	BLACK
2	RJ45 PLUG	POLYCARBONATE	CLEAR
1	CABLE	TPU	TEAL
ITEM	DESCRIPTION	MATERIAL	FINISH

ADD TOLERANCE BLOCK

EC NO: IPG2019-0328
DRWN: MZIELINS 2019/01/10
CHKD: CCHRASKT 2019/01/10
APPR: BWOODMAN2015/06/03

QUALITY SYMBOLS

▽=0
C=0

DESCRIPTION

REV

GENERAL TOLERANCES (UNLESS SPECIFIED)

	mm	INCH
4 PLACES	±---	±---
3 PLACES	±---	±---
2 PLACES	±---	±---
1 PLACE	±---	±---
ANGULAR ±---°		

DRAFT WHERE APPLICABLE MUST REMAIN WITHIN DIMENSIONS

DIMENSION STYLE

IN/MM

DRAWN BY DATE
MZIELINS 2015/05/05

CHECKED BY DATE
BARDEN 2015/06/04

APPROVED BY DATE
BWOODMAN 2015/06/03

MATERIAL NO.
SEE PART MATRIX

SIZE
B

SCALE NTS

DESIGN UNITS INCH

THIRD ANGLE PROJECTION

TITLE

ETHERNET MALE RJ45/RJ45 #24-2TP TEAL PUR CAT5E

MOLEX INCORPORATED

DOCUMENT NO. **SD-120108-081**

SHEET NO. **1 OF 1**

THIS DRAWING CONTAINS INFORMATION THAT IS PROPRIETARY TO MOLEX INCORPORATED AND SHOULD NOT BE USED WITHOUT WRITTEN PERMISSION

10

9

8

7

6

5

4

3

2

1

X-ON Electronics

Largest Supplier of Electrical and Electronic Components

Click to view similar products for [Ethernet Cables / Networking Cables](#) category:

Click to view products by [Molex](#) manufacturer:

Other Similar products are found below :

[73-6670-7](#) [73-6680-15](#) [73-7797-25](#) [MCJB2-10P6Q7-120](#) [84909-0204](#) [1200700174](#) [1200860368](#) [E16A06002M030](#) [E200102-009-S1](#)
[AX105346-EW](#) [MT14-187L](#) [17-103530](#) [ERWPAB3002M005](#) [190-038045-01](#) [NK5EPC18RDY](#) [NK5EPC18VLY](#) [NK5EPC18YLY](#)
[NK5EPC1GRY](#) [NK5EPC4Y](#) [NK5EPC6YLY](#) [NK5EPC8BLY](#) [NK5EPC9YLY](#) [1969343-6](#) [C501100010](#) [C501106002](#) [C501106007](#)
[C501106015](#) [C501106025](#) [C601102010](#) [C601104010](#) [C601106007](#) [C601106015](#) [2142758-2](#) [2168427-2](#) [CAT1106007](#) [21949-1](#) [2J1866A](#)
[RJF SFTP 5E 0500](#) [AX100351](#) [MN14CEC/ST](#) [C501100015](#) [C501106004](#) [C501106010](#) [C5F1108007](#) [C601104004](#) [C601106004](#)
[CA21106004](#) [CA21106010](#) [CA21106015](#) [CA21109007](#)