

MATERIAL NUMBER	ENG. NUMBER	LENGTH
1201088538	E10A00716M020	2M (6' 7")
1201088539	E10A00716M050	5M (16; 5")
1201088540	E10A00716M100	10M (32' 10")
1201088541	E10A00716M200	20M (65' 7")

CHART

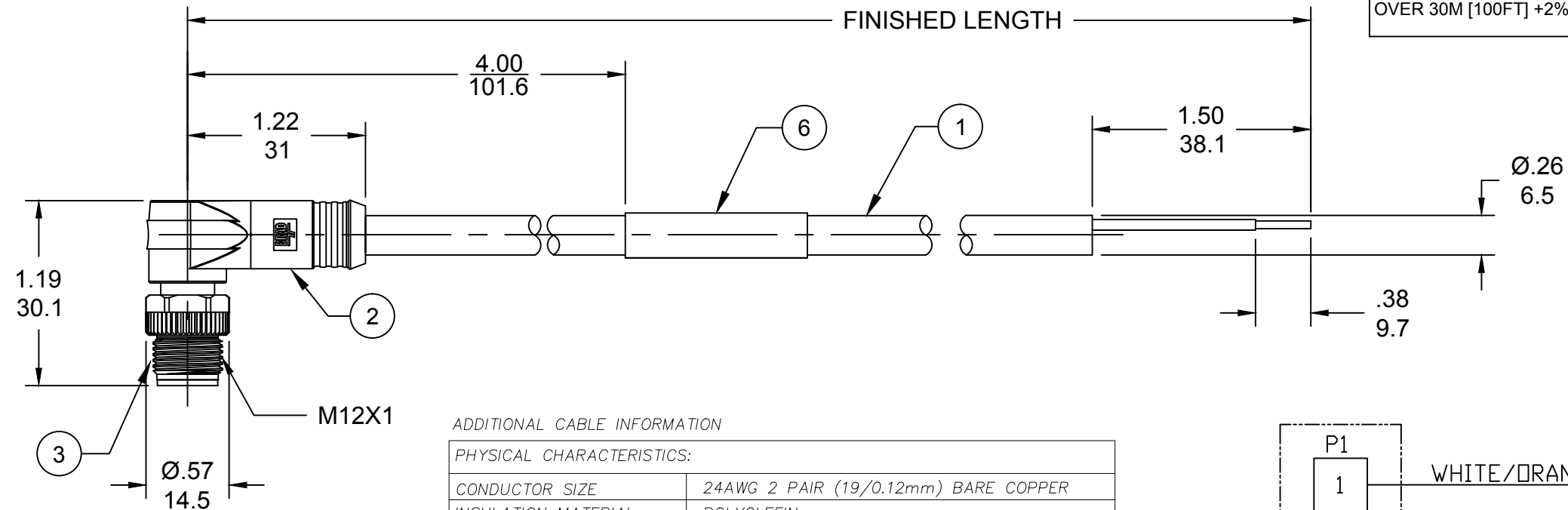
CABLE LENGTH TOLERANCES	
>.3M [1FT]:	+19mm-0 [+ .75in-0]
.3 - .9M [1 - 3FT]:	+44.5mm-0 [+1.75in-0]
.9 - 1.8M [3 - 6FT]:	+55.6mm-0 [+2.19in-0]
1.8 - 3.7M [6 - 12FT]:	+88.9mm-0 [+3.50in-0]
3.7 - 7.3M [12 - 24FT]:	+165.1mm-0 [+6.50in-0]
7.3-14.6M [24 - 48FT]:	+317.5mm-0 [+12.50in-0]
14.6 - 30.5M [48-100FT]:	+622.3mm-0 [+24.50in-0]
OVER 30M [100FT]	+2% OF FINISHED LENGTH

CABLE TYPE

E10A00716MXXX

LENGTH

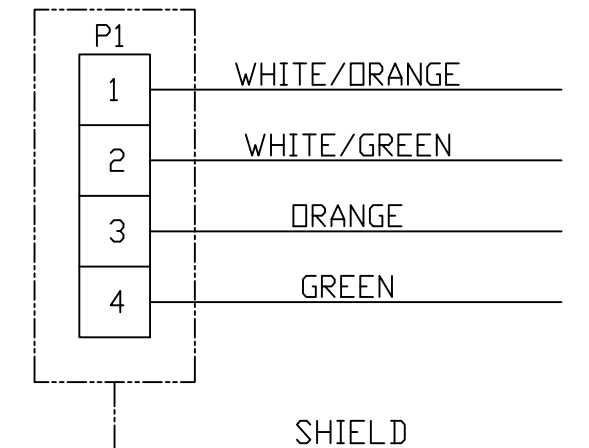
M005 - 0.5M
M050 - 5M
M200 - 20M



ADDITIONAL CABLE INFORMATION

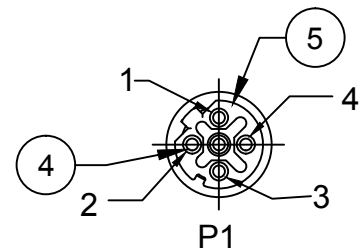
PHYSICAL CHARACTERISTICS:	
CONDUCTOR SIZE	24AWG 2 PAIR (19/0.12mm) BARE COPPER
INSULATION MATERIAL	POLYOLEFIN
SHIELD/BRAID	TINNED COPPER 85% COVERAGE
JACKET MATERIAL	PUR (TEAL)
CONDUCTOR	ORANGE, ORANGE-WHITE & GREEN, GREEN-WHITE
TAPE	ALUMINUM-POLYESTER

CABLE:	
TEMPERATURE RATING (STORAGE)	-40 / +80°C
TEMPERATURE RATING (OPERATION)	-20 / +50°C
WELD SLAG RESISTANCE	YES, S-300 MOLEX TEST
FREE SUBSTANCE'S	FCKW, SILICONE, AND PB
FIRE PERFORMANCE	IEC60332-1, UL1581
OIL RESISTANCE	ISO6722, UL758/2556



NOTES:

- MATERIAL: AS NOTED
- FINISH: AS NOTED
- ELECTRICAL:
VOLTAGE: 125V
CURRENT: 1.5A
- TEMP RATING: AS NOTED
PROTECTION: IP67 (WHEN MATED)
- ALL DIMS ARE FOR REFERENCE UNLESS NOTED OTHERWISE



FACE VIEW - MALE

ITEM	DESCRIPTION	MATERIAL	FINISH
6	WRAP LABEL	VINYL	BLACK/YELLOW
5	INSERT	PUR	BLACK
4	M12 MALE PIN CONTACT	COPPER ALLOY	GOLD PLATED
3	M12 COUPLING NUT	BRASS	NICKEL PLATED
2	OVERMOLD	PUR	BLACK
1	CABLE: 2 X 2, 24 AWG, SHIELDED	PUR	TEAL

RELEASED EC NO: IPG2018-0091 DRWN: RSTONE 2017/08/04 CHKD: --- APPR: BWOODMAN2017/08/11	QUALITY SYMBOLS 	GENERAL TOLERANCES (UNLESS SPECIFIED)		DIMENSION STYLE IN/MM		SCALE ---	DESIGN UNITS INCH	THIRD ANGLE PROJECTION
		4 PLACES ±--- mm ±--- INCH	DRAWN BY RSTONE	DATE 2017/08/04	TITLE MICRO-CHANGE CABLE ASSY D-CODE, MALE 90D 2TP X 24AWG PUR TEAL			
		3 PLACES ±--- mm ±--- INCH	CHECKED BY ---		DATE ---		MOLEX INCORPORATED	
		2 PLACES ±--- mm ±--- INCH	APPROVED BY BWOODMAN		DATE 2017/08/11			
1 PLACE ±--- mm ±--- INCH	ANGULAR ±---°		MATERIAL NO. SEE CHART		DOCUMENT NO. SD-120108-100	SHEET NO. 1 OF 1		
DRAFT WHERE APPLICABLE MUST REMAIN WITHIN DIMENSIONS			THIS DRAWING CONTAINS INFORMATION THAT IS PROPRIETARY TO MOLEX INCORPORATED AND SHOULD NOT BE USED WITHOUT WRITTEN PERMISSION					

MATERIAL NUMBER	ENG. NUMBER	LENGTH
1201088538	E10A00716M020	2M (6' 7")
1201088539	E10A00716M050	5M (16; 5")
1201088540	E10A00716M100	10M (32' 10")
1201088541	E10A00716M200	20M (65' 7")

CHART

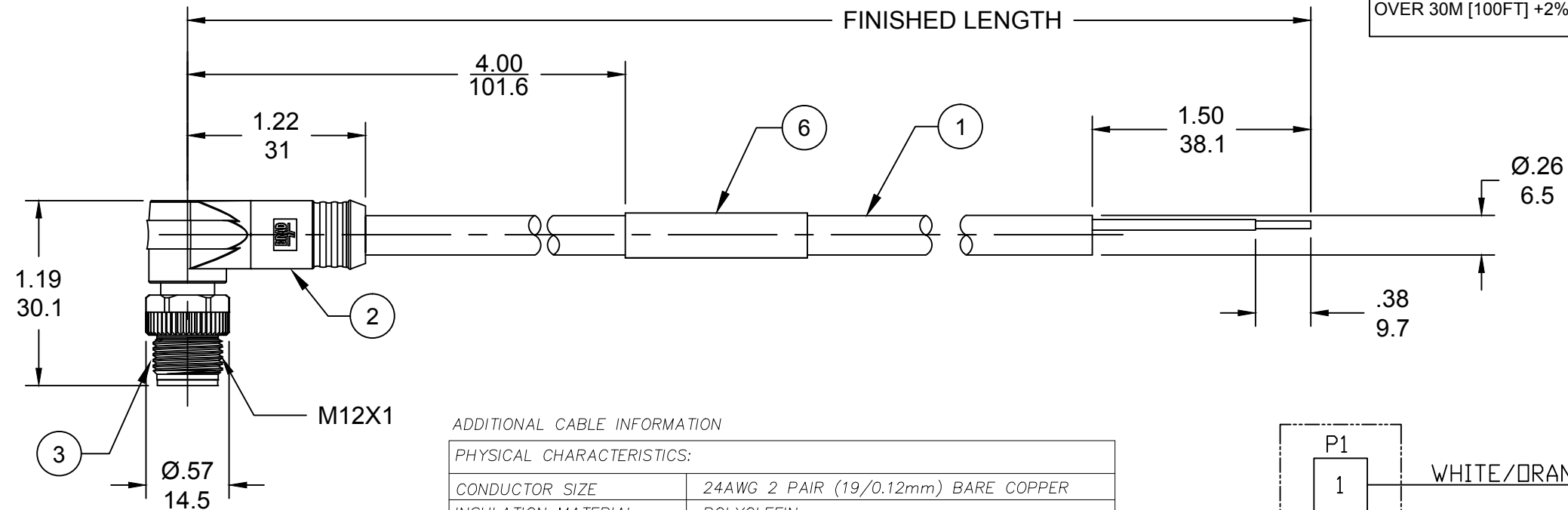
CABLE LENGTH TOLERANCES	
>.3M [1FT]:	+19mm-0 [+ .75in-0]
.3 - .9M [1 - 3FT]:	+44.5mm-0 [+1.75in-0]
.9 - 1.8M [3 - 6FT]:	+55.6mm-0 [+2.19in-0]
1.8 - 3.7M [6 - 12FT]:	+88.9mm-0 [+3.50in-0]
3.7 - 7.3M [12 - 24FT]:	+165.1mm-0 [+6.50in-0]
7.3-14.6M [24 - 48FT]:	+317.5mm-0 [+12.50in-0]
14.6 - 30.5M [48-100FT]:	+622.3mm-0 [+24.50in-0]
OVER 30M [100FT]	+2% OF FINISHED LENGTH

CABLE TYPE

E10A00716MXXX

LENGTH

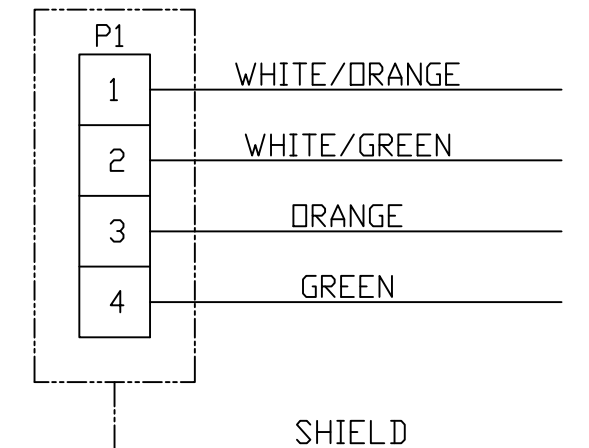
M005 - 0.5M
M050 - 5M
M200 - 20M



ADDITIONAL CABLE INFORMATION

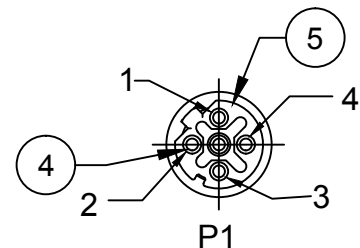
PHYSICAL CHARACTERISTICS:	
CONDUCTOR SIZE	24AWG 2 PAIR (19/0.12mm) BARE COPPER
INSULATION MATERIAL	POLYOLEFIN
SHIELD/BRAID	TINNED COPPER 85% COVERAGE
JACKET MATERIAL	PUR (TEAL)
CONDUCTOR	ORANGE, ORANGE-WHITE & GREEN, GREEN-WHITE
TAPE	ALUMINUM-POLYESTER

CABLE:	
TEMPERATURE RATING (STORAGE)	-40 / +80°C
TEMPERATURE RATING (OPERATION)	-20 / +50°C
WELD SLAG RESISTANCE	YES, S-300 MOLEX TEST
FREE SUBSTANCE'S	FCKW, SILICONE, AND PB
FIRE PERFORMANCE	IEC60332-1, UL1581
OIL RESISTANCE	ISO6722, UL758/2556



NOTES:

- MATERIAL: AS NOTED
- FINISH: AS NOTED
- ELECTRICAL:
VOLTAGE: 125V
CURRENT: 1.5A
- TEMP RATING: AS NOTED
PROTECTION: IP67 (WHEN MATED)
- ALL DIMS ARE FOR REFERENCE UNLESS NOTED OTHERWISE



FACE VIEW - MALE

ITEM	DESCRIPTION	MATERIAL	FINISH
6	WRAP LABEL	VINYL	BLACK/YELLOW
5	INSERT	PUR	BLACK
4	M12 MALE PIN CONTACT	COPPER ALLOY	GOLD PLATED
3	M12 COUPLING NUT	BRASS	NICKEL PLATED
2	OVERMOLD	PUR	BLACK
1	CABLE: 2 X 2, 24 AWG, SHIELDED	PUR	TEAL

RELEASED EC NO: IPG2018-0091 DRWN: RSTONE 2017/08/04 CHKD: --- APPR: BWOODMAN2017/08/11	QUALITY SYMBOLS ▽=0 ▽C=0	GENERAL TOLERANCES (UNLESS SPECIFIED)		DIMENSION STYLE IN/MM		SCALE ---	DESIGN UNITS INCH	THIRD ANGLE PROJECTION	
		4 PLACES	±---	±---	DRAWN BY	DATE	TITLE MICRO-CHANGE CABLE ASSY D-CODE, MALE 90D 2TP X 24AWG PUR TEAL		
		3 PLACES	±---	±---	RSTONE	2017/08/04			
		2 PLACES	±---	±---	CHECKED BY	DATE	MOLEX INCORPORATED		
1 PLACE	±---	±---	---	---					
DRAFT WHERE APPLICABLE MUST REMAIN WITHIN DIMENSIONS		ANGULAR ±---°		APPROVED BY DATE BWOODMAN 2017/08/11		DOCUMENT NO. SD-120108-100		SHEET NO. 1 OF 1	
SIZE B		THIS DRAWING CONTAINS INFORMATION THAT IS PROPRIETARY TO MOLEX INCORPORATED AND SHOULD NOT BE USED WITHOUT WRITTEN PERMISSION							

X-ON Electronics

Largest Supplier of Electrical and Electronic Components

Click to view similar products for [Ethernet Cables / Networking Cables](#) category:

Click to view products by [Molex](#) manufacturer:

Other Similar products are found below :

[73-6670-7](#) [73-6680-15](#) [73-7797-25](#) [MCJB2-10P6Q7-120](#) [84909-0204](#) [1200700174](#) [1200860368](#) [E16A06002M030](#) [E200102-009-S1](#)
[AX105346-EW](#) [MT14-187L](#) [17-103530](#) [ERWPAB3002M005](#) [190-038045-01](#) [NK5EPC18RDY](#) [NK5EPC18VLY](#) [NK5EPC18YLY](#)
[NK5EPC1GRY](#) [NK5EPC4Y](#) [NK5EPC6YLY](#) [NK5EPC8BLY](#) [NK5EPC9YLY](#) [1969343-6](#) [C501100010](#) [C501106002](#) [C501106007](#)
[C501106015](#) [C501106025](#) [C601102010](#) [C601104010](#) [C601106007](#) [C601106015](#) [2142758-2](#) [2168427-2](#) [CAT1106007](#) [21949-1](#) [2J1866A](#)
[RJF SFTP 5E 0500](#) [AX100351](#) [MN14CEC/ST](#) [C501100015](#) [C501106004](#) [C501106010](#) [C5F1108007](#) [C601104004](#) [C601106004](#)
[CA21106004](#) [CA21106010](#) [CA21106015](#) [CA21109007](#)