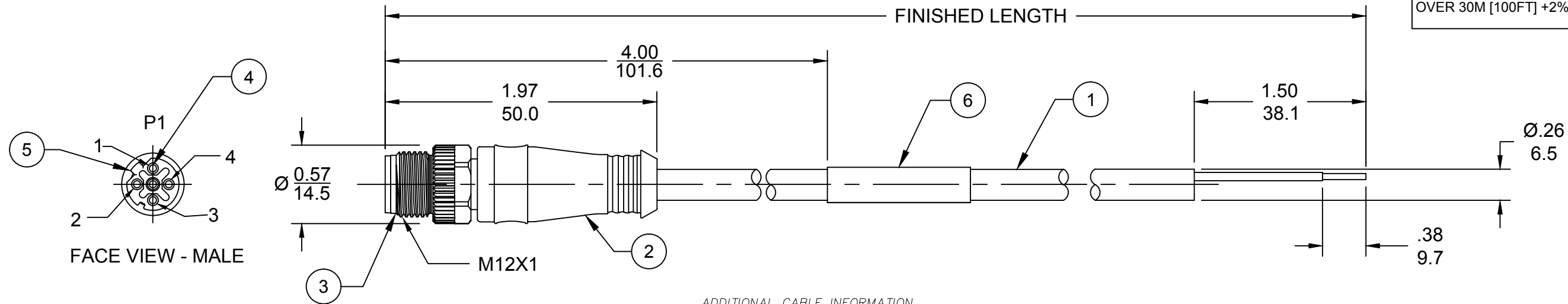


MATERIAL NUMBER	ENG. NUMBER	LENGTH
1201088542	E10A00616M020	2M (6' 7")
1201088543	E10A00616M050	5M (16; 5")
1201088544	E10A00616M100	10M (32' 10")
1201088545	E10A00616M200	20M (65' 7")
1201088546	E10A00616M300	30M (98' 5")
1201088547	E10A00616M500	50M (164')

CHART

CABLE LENGTH TOLERANCES

>.3M [1FT]:	+19mm-0 [+ .75in-0]
.3 - .9M [1 - 3FT]:	+44.5mm-0 [+1.75in-0]
.9 - 1.8M [3 - 6FT]:	+55.6mm-0 [+2.19in-0]
1.8 - 3.7M [6 - 12FT]:	+88.9mm-0 [+3.50in-0]
3.7 - 7.3M [12 - 24FT]:	+165.1mm-0 [+6.50in-0]
7.3-14.6M [24 - 48FT]:	+317.5mm-0 [+12.50in-0]
14.6 - 30.5M [48-100FT]:	+622.3mm-0 [+24.50in-0]
OVER 30M [100FT]	+2% OF FINISHED LENGTH



CABLE TYPE
E10A00616MXXX

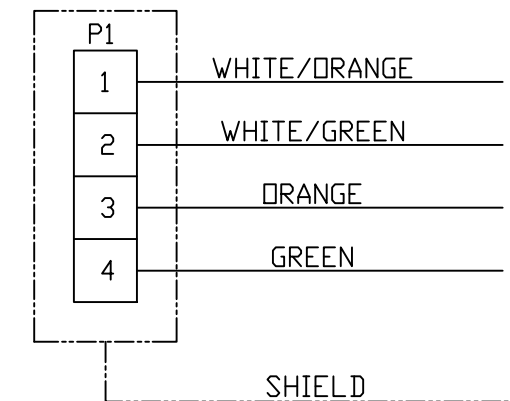
LENGTH
M005 - 0.5M
M050 - 5M
M200 - 20M

- NOTES:
- MATERIAL: AS NOTED
 - FINISH: AS NOTED
 - ELECTRICAL:
VOLTAGE: 125V
CURRENT: 1.5A
 - TEMP RATING: AS NOTED.
PROTECTION: IP67 (WHEN MATED)
 - ALL DIMS ARE FOR REFERENCE UNLESS NOTED OTHERWISE

ADDITIONAL CABLE INFORMATION

PHYSICAL CHARACTERISTICS:	
CONDUCTOR SIZE	24AWG 2 PAIR (19/0.12mm) BARE COPPER
INSULATION MATERIAL	POLYOLEFIN
SHIELD/BRAID	TINNED COPPER 85% COVERAGE
JACKET MATERIAL	PUR (TEAL)
CONDUCTOR TAPE	ORANGE, ORANGE-WHITE & GREEN, GREEN-WHITE

CABLE:	
TEMPERATURE RATING (STORAGE)	-40 / +80°C
TEMPERATURE RATING (OPERATION)	-20 / +50°C
WELD SLAG RESISTANCE	YES, S-300 MOLEX TEST
FREE SUBSTANCE'S	FCKW, SILICONE, AND PB
FIRE PERFORMANCE	IEC60332-1, UL1581
OIL RESISTANCE	ISO6722, UL758/2556



WIRING DIAGRAM

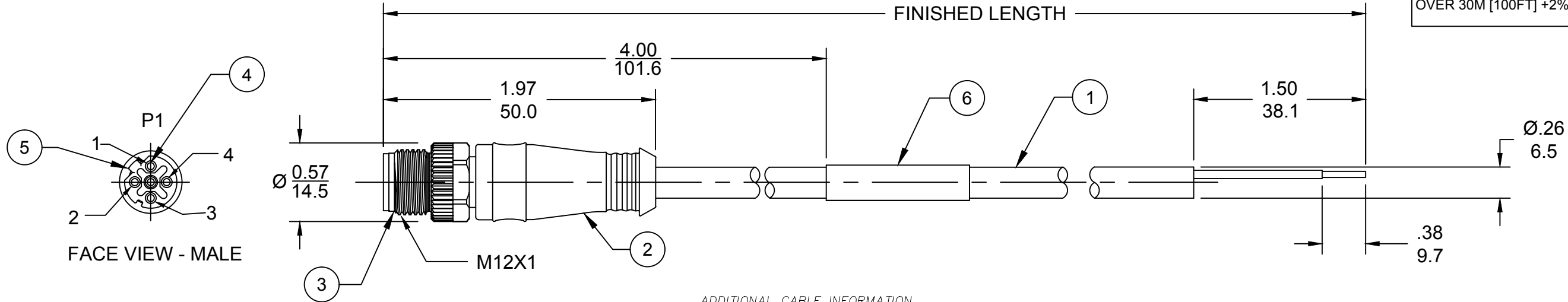
ITEM	DESCRIPTION	MATERIAL	FINISH
6	WRAP LABEL	VINYL	BLACK/YELLOW
5	INSERT	PUR	BLACK
4	M12 MALE PIN CONTACT	COPPER ALLOY	GOLD PLATED
3	M12 COUPLING NUT	BRASS	NICKEL PLATED
2	OVERMOLD	PUR	BLACK
1	CABLE: 2 X 2, 24 AWG, SHIELDED	PUR	TEAL

RELEASED EC NO: IPG2018-0091 DRWN: RSTONE 2017/08/04 CHKD: M ZIELIN APPR: BWOODMAN2017/08/11	QUALITY SYMBOLS ▽=0 ▽=0	GENERAL TOLERANCES (UNLESS SPECIFIED)		DIMENSION STYLE IN/MM		SCALE ---	DESIGN UNITS INCH	THIRD ANGLE PROJECTION
		4 PLACES	±---	±---	DRAWN BY	DATE	TITLE MICRO-CHANGE CABLE ASSY D-CODE, MALE STR 2TP X 24AWG PUR TEAL	
		3 PLACES	±---	±---	RSTONE	2017/08/04		
		2 PLACES	±---	±---	CHECKED BY	DATE	MOLEX INCORPORATED	
1 PLACE	±---	±---	M ZIELIN	---				
ANGULAR ±---°		DRAFT WHERE APPLICABLE MUST REMAIN WITHIN DIMENSIONS		SEE CHART		DOCUMENT NO. SD-120108-101		SHEET NO. 1 OF 1
A		B		THIS DRAWING CONTAINS INFORMATION THAT IS PROPRIETARY TO MOLEX INCORPORATED AND SHOULD NOT BE USED WITHOUT WRITTEN PERMISSION				

MATERIAL NUMBER	ENG. NUMBER	LENGTH
1201088542	E10A00616M020	2M (6' 7")
1201088543	E10A00616M050	5M (16; 5")
1201088544	E10A00616M100	10M (32' 10")
1201088545	E10A00616M200	20M (65' 7")
1201088546	E10A00616M300	30M (98' 5")
1201088547	E10A00616M500	50M (164')

CHART

CABLE LENGTH TOLERANCES	
>.3M [1FT]:	+19mm-0 [+ .75in-0]
.3 - .9M [1 - 3FT]:	+44.5mm-0 [+1.75in-0]
.9 - 1.8M [3 - 6FT]:	+55.6mm-0 [+2.19in-0]
1.8 - 3.7M [6 - 12FT]:	+88.9mm-0 [+3.50in-0]
3.7 - 7.3M [12 - 24FT]:	+165.1mm-0 [+6.50in-0]
7.3-14.6M [24 - 48FT]:	+317.5mm-0 [+12.50in-0]
14.6 - 30.5M [48-100FT]:	+622.3mm-0 [+24.50in-0]
OVER 30M [100FT]	+2% OF FINISHED LENGTH



CABLE TYPE
E10A00616MXXX

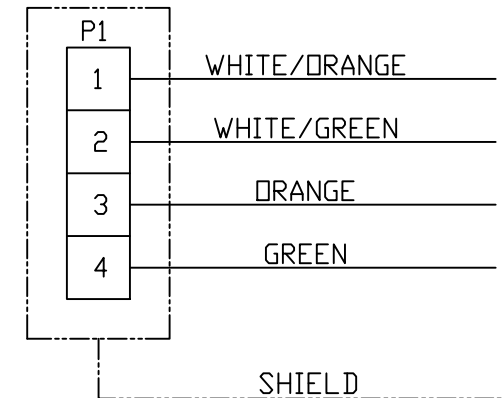
LENGTH
M005 - 0.5M
M050 - 5M
M200 - 20M

- NOTES:
 1. MATERIAL: AS NOTED
 2. FINISH: AS NOTED
 3. ELECTRICAL:
 VOLTAGE: 125V
 CURRENT: 1.5A
 4. TEMP RATING: AS NOTED.
 PROTECTION: IP67 (WHEN MATED)
 6. ALL DIMS ARE FOR REFERENCE
 UNLESS NOTED OTHERWISE

ADDITIONAL CABLE INFORMATION

PHYSICAL CHARACTERISTICS:	
CONDUCTOR SIZE	24AWG 2 PAIR (19/0.12mm) BARE COPPER
INSULATION MATERIAL	POLYOLEFIN
SHIELD/BRAID	TINNED COPPER 85% COVERAGE
JACKET MATERIAL	PUR (TEAL)
CONDUCTOR TAPE	ORANGE, ORANGE-WHITE & GREEN, GREEN-WHITE

CABLE:	
TEMPERATURE RATING (STORAGE)	-40 / +80°C
TEMPERATURE RATING (OPERATION)	-20 / +50°C
WELD SLAG RESISTANCE	YES, S-300 MOLEX TEST
FREE SUBSTANCE'S	FCKW, SILICONE, AND PB
FIRE PERFORMANCE	IEC60332-1, UL1581
OIL RESISTANCE	ISO6722, UL758/2556



WIRING DIAGRAM

ITEM	DESCRIPTION	MATERIAL	FINISH
6	WRAP LABEL	VINYL	BLACK/YELLOW
5	INSERT	PUR	BLACK
4	M12 MALE PIN CONTACT	COPPER ALLOY	GOLD PLATED
3	M12 COUPLING NUT	BRASS	NICKEL PLATED
2	OVERMOLD	PUR	BLACK
1	CABLE: 2 X 2, 24 AWG, SHIELDED	PUR	TEAL

EC NO: IPG2018-0091 DRWN: RSTONE 2017/08/04 CHKD: M ZIELIN APPR: BWOODMAN2017/08/11 REV A	QUALITY SYMBOLS ▽=0 ▽=0	GENERAL TOLERANCES (UNLESS SPECIFIED)		DIMENSION STYLE IN/MM		SCALE ---	DESIGN UNITS INCH	THIRD ANGLE PROJECTION	
		4 PLACES ±--- ±--- 3 PLACES ±--- ±--- 2 PLACES ±--- ±--- 1 PLACE ±--- ±---	DRAWN BY DATE RSTONE 2017/08/04		TITLE MICRO-CHANGE CABLE ASSY D-CODE, MALE STR 2TP X 24AWG PUR TEAL				
		ANGULAR ±---°		CHECKED BY DATE M ZIELIN ---		APPROVED BY DATE BWOODMAN 2017/08/11		MOLEX MOLEX INCORPORATED	
		DRAFT WHERE APPLICABLE MUST REMAIN WITHIN DIMENSIONS		MATERIAL NO. SEE CHART		DOCUMENT NO. SD-120108-101		SHEET NO. 1 OF 1	

THIS DRAWING CONTAINS INFORMATION THAT IS PROPRIETARY TO MOLEX INCORPORATED AND SHOULD NOT BE USED WITHOUT WRITTEN PERMISSION

X-ON Electronics

Largest Supplier of Electrical and Electronic Components

Click to view similar products for [Ethernet Cables / Networking Cables](#) category:

Click to view products by [Molex](#) manufacturer:

Other Similar products are found below :

[73-6670-7](#) [73-6680-15](#) [73-7797-25](#) [MCJB2-10P6Q7-120](#) [84909-0204](#) [1200700174](#) [1200860368](#) [E16A06002M030](#) [E200102-009-S1](#)
[AX105346-EW](#) [MT14-187L](#) [17-103530](#) [ERWPAB3002M005](#) [190-038045-01](#) [NK5EPC18RDY](#) [NK5EPC18VLY](#) [NK5EPC18YLY](#)
[NK5EPC1GRY](#) [NK5EPC4Y](#) [NK5EPC6YLY](#) [NK5EPC8BLY](#) [NK5EPC9YLY](#) [1969343-6](#) [C501100010](#) [C501106002](#) [C501106007](#)
[C501106015](#) [C501106025](#) [C601102010](#) [C601104010](#) [C601106007](#) [C601106015](#) [2142758-2](#) [2168427-2](#) [CAT1106007](#) [21949-1](#) [2J1866A](#)
[RJF SFTP 5E 0500](#) [AX100351](#) [MN14CEC/ST](#) [C501100015](#) [C501106004](#) [C501106010](#) [C5F1108007](#) [C601104004](#) [C601106004](#)
[CA21106004](#) [CA21106010](#) [CA21106015](#) [CA21109007](#)