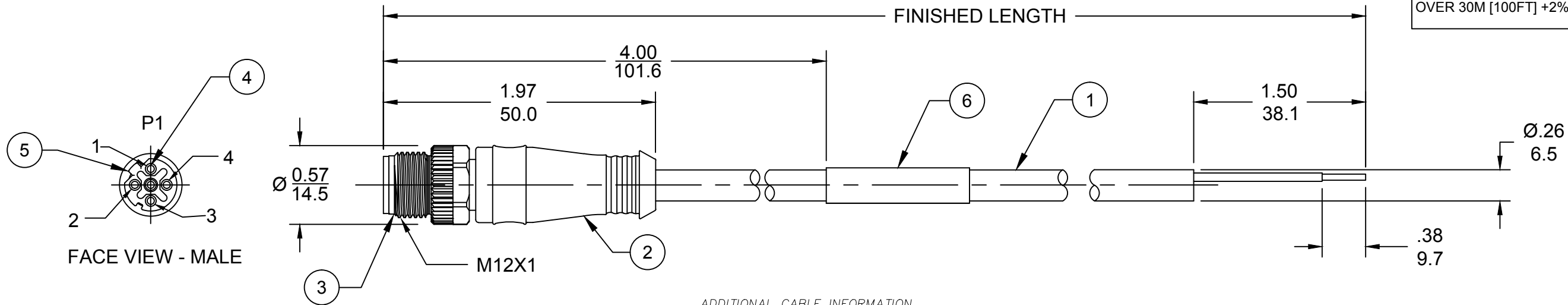


MATERIAL NUMBER	ENG. NUMBER	LENGTH
1201088542	E10A00616M020	2M (6' 7")
1201088543	E10A00616M050	5M (16; 5")
1201088544	E10A00616M100	10M (32' 10")
1201088545	E10A00616M200	20M (65' 7")
1201088546	E10A00616M300	30M (98' 5")
1201088547	E10A00616M500	50M (164')

CHART

CABLE LENGTH TOLERANCES	
>.3M [1FT]:	+19mm-0 [+ .75in-0]
.3 - .9M [1 - 3FT]:	+44.5mm-0 [+1.75in-0]
.9 - 1.8M [3 - 6FT]:	+55.6mm-0 [+2.19in-0]
1.8 - 3.7M [6 - 12FT]:	+88.9mm-0 [+3.50in-0]
3.7 - 7.3M [12 - 24FT]:	+165.1mm-0 [+6.50in-0]
7.3-14.6M [24 - 48FT]:	+317.5mm-0 [+12.50in-0]
14.6 - 30.5M [48-100FT]:	+622.3mm-0 [+24.50in-0]
OVER 30M [100FT]	+2% OF FINISHED LENGTH



CABLE TYPE  
**E10A00616MXXX**

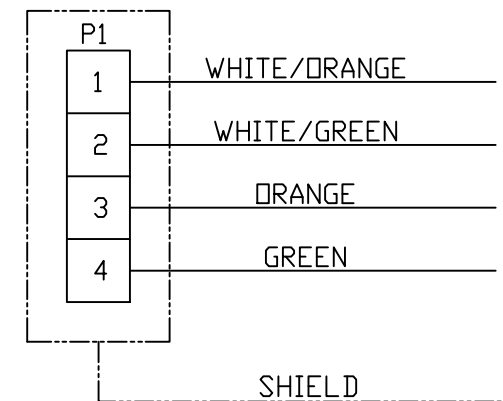
LENGTH  
M005 - 0.5M  
M050 - 5M  
M200 - 20M

- NOTES:  
 1. MATERIAL: AS NOTED  
 2. FINISH: AS NOTED  
 3. ELECTRICAL:  
 VOLTAGE: 125V  
 CURRENT: 1.5A  
 4. TEMP RATING: AS NOTED.  
 PROTECTION: IP67 (WHEN MATED)  
 6. ALL DIMS ARE FOR REFERENCE  
 UNLESS NOTED OTHERWISE

ADDITIONAL CABLE INFORMATION

PHYSICAL CHARACTERISTICS:	
CONDUCTOR SIZE	24AWG 2 PAIR (19/0.12mm) BARE COPPER
INSULATION MATERIAL	POLYOLEFIN
SHIELD/BRAID	TINNED COPPER 85% COVERAGE
JACKET MATERIAL	PUR (TEAL)
CONDUCTOR TAPE	ORANGE, ORANGE-WHITE & GREEN, GREEN-WHITE

CABLE:	
TEMPERATURE RATING (STORAGE)	-40 / +80°C
TEMPERATURE RATING (OPERATION)	-20 / +50°C
WELD SLAG RESISTANCE	YES, S-300 MOLEX TEST
FREE SUBSTANCE'S	FCKW, SILICONE, AND PB
FIRE PERFORMANCE	IEC60332-1, UL1581
OIL RESISTANCE	ISO6722, UL758/2556



WIRING DIAGRAM

ITEM	DESCRIPTION	MATERIAL	FINISH
6	WRAP LABEL	VINYL	BLACK/YELLOW
5	INSERT	PUR	BLACK
4	M12 MALE PIN CONTACT	COPPER ALLOY	GOLD PLATED
3	M12 COUPLING NUT	BRASS	NICKEL PLATED
2	OVERMOLD	PUR	BLACK
1	CABLE: 2 X 2, 24 AWG, SHIELDED	PUR	TEAL

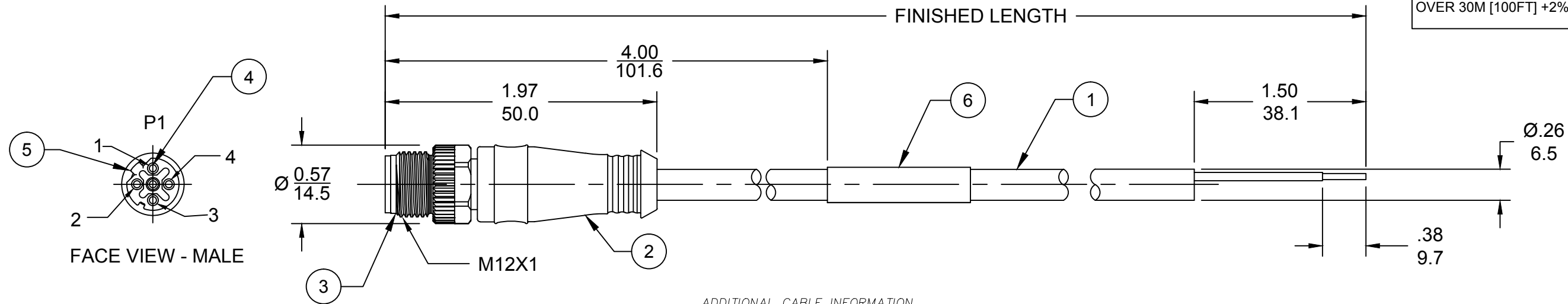
EC NO: IPG2018-0091 DRWN: RSTONE 2017/08/04 CHKD: M ZIELIN APPR: BWOODMAN2017/08/11 REV A	QUALITY SYMBOLS 	GENERAL TOLERANCES (UNLESS SPECIFIED) mm INCH 4 PLACES ±--- ±--- 3 PLACES ±--- ±--- 2 PLACES ±--- ±--- 1 PLACE ±--- ±--- ANGULAR ±---°	DIMENSION STYLE IN/MM DRAWN BY DATE RSTONE 2017/08/04 CHECKED BY DATE M ZIELIN --- APPROVED BY DATE BWOODMAN 2017/08/11	SCALE --- DESIGN UNITS INCH THIRD ANGLE PROJECTION	TITLE <b>MICRO-CHANGE CABLE ASSY          D-CODE, MALE STR          2TP X 24AWG PUR TEAL</b> <b>MOLEX INCORPORATED</b>	MATERIAL NO. SEE CHART DOCUMENT NO. SD-120108-101 SHEET NO. 1 OF 1
	DRAFT WHERE APPLICABLE MUST REMAIN WITHIN DIMENSIONS		THIS DRAWING CONTAINS INFORMATION THAT IS PROPRIETARY TO MOLEX INCORPORATED AND SHOULD NOT BE USED WITHOUT WRITTEN PERMISSION			

MATERIAL NUMBER	ENG. NUMBER	LENGTH
1201088542	E10A00616M020	2M (6' 7")
1201088543	E10A00616M050	5M (16; 5")
1201088544	E10A00616M100	10M (32' 10")
1201088545	E10A00616M200	20M (65' 7")
1201088546	E10A00616M300	30M (98' 5")
1201088547	E10A00616M500	50M (164')

CHART

CABLE LENGTH TOLERANCES

>.3M [1FT]:	+19mm-0 [+ .75in-0]
.3 - .9M [1 - 3FT]:	+44.5mm-0 [+1.75in-0]
.9 - 1.8M [3 - 6FT]:	+55.6mm-0 [+2.19in-0]
1.8 - 3.7M [6 - 12FT]:	+88.9mm-0 [+3.50in-0]
3.7 - 7.3M [12 - 24FT]:	+165.1mm-0 [+6.50in-0]
7.3-14.6M [24 - 48FT]:	+317.5mm-0 [+12.50in-0]
14.6 - 30.5M [48-100FT]:	+622.3mm-0 [+24.50in-0]
OVER 30M [100FT]	+2% OF FINISHED LENGTH



CABLE TYPE  
**E10A00616MXXX**

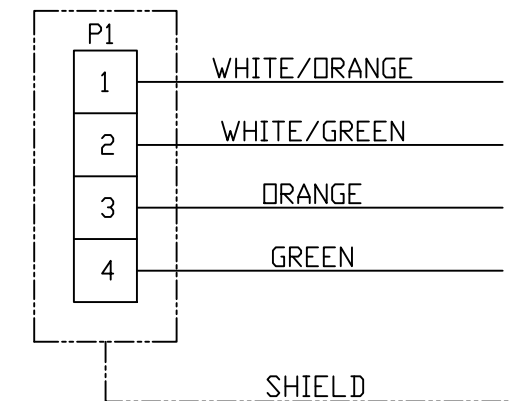
LENGTH  
M005 - 0.5M  
M050 - 5M  
M200 - 20M

- NOTES:
- MATERIAL: AS NOTED
  - FINISH: AS NOTED
  - ELECTRICAL:  
VOLTAGE: 125V  
CURRENT: 1.5A
  - TEMP RATING: AS NOTED.  
PROTECTION: IP67 (WHEN MATED)
  - ALL DIMS ARE FOR REFERENCE UNLESS NOTED OTHERWISE

ADDITIONAL CABLE INFORMATION

PHYSICAL CHARACTERISTICS:	
CONDUCTOR SIZE	24AWG 2 PAIR (19/0.12mm) BARE COPPER
INSULATION MATERIAL	POLYOLEFIN
SHIELD/BRAID	TINNED COPPER 85% COVERAGE
JACKET MATERIAL	PUR (TEAL)
CONDUCTOR TAPE	ORANGE, ORANGE-WHITE & GREEN, GREEN-WHITE

CABLE:	
TEMPERATURE RATING (STORAGE)	-40 / +80°C
TEMPERATURE RATING (OPERATION)	-20 / +50°C
WELD SLAG RESISTANCE	YES, S-300 MOLEX TEST
FREE SUBSTANCE'S	FCKW, SILICONE, AND PB
FIRE PERFORMANCE	IEC60332-1, UL1581
OIL RESISTANCE	ISO6722, UL758/2556



WIRING DIAGRAM

ITEM	DESCRIPTION	MATERIAL	FINISH
6	WRAP LABEL	VINYL	BLACK/YELLOW
5	INSERT	PUR	BLACK
4	M12 MALE PIN CONTACT	COPPER ALLOY	GOLD PLATED
3	M12 COUPLING NUT	BRASS	NICKEL PLATED
2	OVERMOLD	PUR	BLACK
1	CABLE: 2 X 2, 24 AWG, SHIELDED	PUR	TEAL

RELEASED EC NO: IPG2018-0091 DRWN: RSTONE 2017/08/04 CHKD: M ZIELIN APPR: BWOODMAN2017/08/11	QUALITY SYMBOLS ▽=0 ▽=0	GENERAL TOLERANCES (UNLESS SPECIFIED)		DIMENSION STYLE <b>IN/MM</b>		SCALE ---	DESIGN UNITS INCH	THIRD ANGLE PROJECTION
		4 PLACES	±---	±---	DRAWN BY	DATE	<b>MICRO-CHANGE CABLE ASSY            D-CODE, MALE STR            2TP X 24AWG PUR TEAL</b>	
		3 PLACES	±---	±---	RSTONE	2017/08/04		
		2 PLACES	±---	±---	CHECKED BY	DATE		
1 PLACE	±---	±---	M ZIELIN	---	APPROVED BY	DATE	<b>MOLEX INCORPORATED</b>	
ANGULAR ±---°		BWOODMAN	2017/08/11					
DRAFT WHERE APPLICABLE MUST REMAIN WITHIN DIMENSIONS		SEE CHART		MATERIAL NO.		DOCUMENT NO.		SHEET NO.
						SD-120108-101		1 OF 1
				SIZE <b>B</b>		THIS DRAWING CONTAINS INFORMATION THAT IS PROPRIETARY TO MOLEX INCORPORATED AND SHOULD NOT BE USED WITHOUT WRITTEN PERMISSION		

## X-ON Electronics

Largest Supplier of Electrical and Electronic Components

*Click to view similar products for [Sensor Cables / Actuator Cables](#) category:*

*Click to view products by [Molex](#) manufacturer:*

Other Similar products are found below :

[60963](#) [60964](#) [703000D02F2002](#) [703001D02F0602](#) [703001D02F300](#) [704000D02F120](#) [773032K02F030](#) [802027107404-1](#) [802027213811-1](#)  
[804001A09M150](#) [805001A09M0502](#) [84914-0235](#) [84914-0237](#) [885030A09M020](#) [8R4J30E03C3003](#) [1200651332](#) [1200651713](#) [1200660844](#)  
[1200660845](#) [1200661173](#) [1200680071](#) [1200720053](#) [1200720081](#) [1200720099](#) [1200720217](#) [1200800231](#) [1200860125](#) [1200870123](#)  
[1200980102](#) [1200650267](#) [1200650298](#) [1200660183](#) [1200660782](#) [1200660849](#) [1200661295](#) [1200661297](#) [1200661342](#) [1200661343](#)  
[1200670080](#) [1200670220](#) [1200680331](#) [1200720252](#) [1200730184](#) [1200860344](#) [1200870359](#) [1200870643](#) [1200980008](#) [1200980031](#)  
[1210502211](#) [1210400542](#)