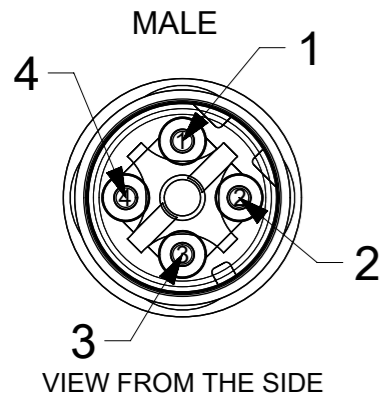


M12 4 POLE

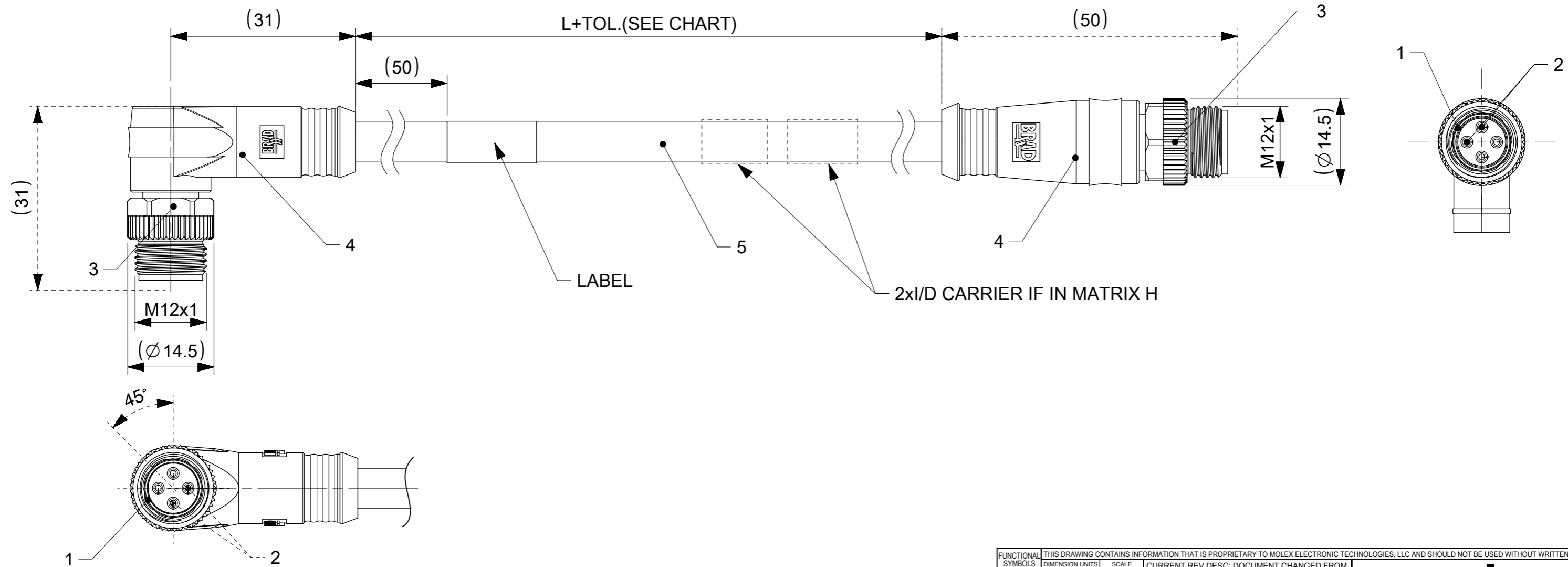


PIN	WIRE COLOR
1	YELLOW
2	WHITE
3	ORANGE
4	BLUE

TABLE OF LENGTH TOLERANCES		
OVER	UP TO AND INCLUDING (mm)	TOLERANCE(mm)
0	1000	+40 0
1000	5000	+60 0
5000	10000	+80 0
10000	20000	+140 0
20000	30000	+160 0
30000	>	+1% OF LENGTH

CONNECTOR SPECIFICATION:	
VOLTAGE RATING	MAX 30V
AMPERAGE RATING	1.5A
PROTECTION	IP67
OPERATING TEMPERATURE	SEE SHEET 2

SHIELD CONNECTED TO THE HOUSING

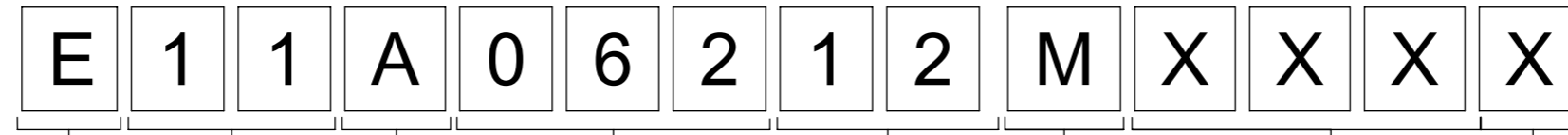


ITEM	DESCRIPTION	MATERIAL	FINISH
1	INSERT	PUR	BLACK
2	PIN CONTACT	COPPER ALLOY	GOLD OR NICKEL PLATED
3	COUPLING NUT MA SW13	BRASS	NICKEL PLATED
4	OVERMOULDING	TPU	BLACK
5	CABLE	TPU	GREEN

DOCUMENT STATUS	P1	RELEASE DATE	2020/07/30	13:26:45
-----------------	----	--------------	------------	----------

FUNCTIONAL SYMBOLS	THIS DRAWING CONTAINS INFORMATION THAT IS PROPRIETARY TO MOLEX ELECTRONIC TECHNOLOGIES, LLC AND SHOULD NOT BE USED WITHOUT WRITTEN PERMISSION	SCALE		CURRENT REV DESC: DOCUMENT CHANGED FROM RSD TO SD	molex
	mm	1.5:1			
DIVISIONAL SYMBOLS	GENERAL TOLERANCES (UNLESS SPECIFIED)	ANGULAR TOL ± 1.0°		EC NO: 642541 DRWN: FDAFERNER 2020/07/30 CHK'D: RSILLER 2020/07/30 APPR: RSILLER 2020/07/30 INITIAL REVISION: DRWN: SSM 2017/12/22 APPR: MIWASIECZKO 2018/01/24	CSE M12 ETH 4P DC MA RA MA STR WSOR
	4 PLACES ±	3 PLACES ±			
	3 PLACES ±	2 PLACES ± 0.05			
	2 PLACES ±	1 PLACE ± 0.3			
	1 PLACE ±	0 PLACES ± 0.5			
DRAFT WHERE APPLICABLE MUST REMAIN WITHIN DIMENSIONS		THIRD ANGLE PROJECTION	DRAWING	SERIES	DOCUMENT NUMBER
			A3-SIZE	120108	1201088702
					DOC TYPE DOC PART REVISION
					PSD 000 A3
					MATERIAL NUMBER CUSTOMER SHEET NUMBER
					SEE TABLE 1 GENERAL MARKET 1 OF 2

PART No. MATRIX



E=ETHERNET

HEADS:
1 = M12 D-Coding
1 = M12 D-Coding

HEADS STYLE:
062 = MALE RA / MALE STR

UNITS
M=METER
T=10 x METER

LENGTH EXAMPLES:
005=0.5m
010=1m
150=15m

H=2 PCS. OF I/D
Carrier

WIRING TYPE:
A=4 Pole STRAIGHT WIRED

CABLE TYPE:
SEE CABLE TABLE

CABLE TABLE

CABLE TYPE	WIRE GAUGE	CABLE JACKET	UL	CSA	STATIC	FLEXING	DRAG CHAIN TESTED	OTHER
CAB-12 4P	0.34mm ²	TPU GREEN	STYLE 21215	YES	-40° TO +80°C >15x0.D	-20° TO +60°C >15x0.D	2 MIO CYCLES	WELD SLAG RESISTANCE

TABLE 1

MOLEX PN	ENGINEERNG NO	L(mm)
1201088702	E11A06212M010	1000
1201088703	E11A06212M020	2000
1201088719	E11A06212M015	1500
1201088742	E11A06212M050	5000
1201088743	E11A06212M100	10000

DOCUMENT STATUS	P1	RELEASE DATE	2020/07/30	13:26:45
-----------------	----	--------------	------------	----------

FUNCTIONAL SYMBOLS ∇A = 0 ∇E = 0 ∇P = 0	THIS DRAWING CONTAINS INFORMATION THAT IS PROPRIETARY TO MOLEX ELECTRONIC TECHNOLOGIES, LLC AND SHOULD NOT BE USED WITHOUT WRITTEN PERMISSION	SCALE 1:1	CURRENT REV DESC: DOCUMENT CHANGED FROM RSD TO SD		<h1>molex</h1> CSE M12 ETH 4P DC MA RA MA STR WSOR PRODUCT CUSTOMER DRAWING
	GENERAL TOLERANCES (UNLESS SPECIFIED)		EC NO: 642541		
	ANGULAR TOL ± 1.0°		DRWN: FDAFERNER 2020/07/30		
	4 PLACES ±		CHK'D: RSILLER 2020/07/30		
	3 PLACES ±		APPR: RSILLER 2020/07/30		
DIVISIONAL SYMBOLS	2 PLACES ± 0.05		INITIAL REVISION:		
	1 PLACE ± 0.3		DRWN: SSM 2017/12/22		
	0 PLACES ± 0.5		APPR: MIWASIECZKO 2018/01/24		
	DRIFT WHERE APPLICABLE MUST REMAIN WITHIN DIMENSIONS	THIRD ANGLE PROJECTION	DRAWING A3-SIZE	SERIES 120108	DOCUMENT NUMBER 1201088702
			MATERIAL NUMBER SEE TABLE 1	CUSTOMER GENERAL MARKET	DOC TYPE PSD
				DOC PART 000	REVISION A3
					SHEET NUMBER 2 OF 2

X-ON Electronics

Largest Supplier of Electrical and Electronic Components

Click to view similar products for [Sensor Cables / Actuator Cables](#) category:

Click to view products by [Molex](#) manufacturer:

Other Similar products are found below :

[60963](#) [60964](#) [703000D02F2002](#) [703001D02F0602](#) [703001D02F300](#) [704000D02F120](#) [773032K02F030](#) [802027107404-1](#) [802027213811-1](#)
[804001A09M150](#) [805001A09M0502](#) [84914-0235](#) [84914-0237](#) [885030A09M020](#) [8R4J30E03C3003](#) [1200651332](#) [1200651713](#) [1200660844](#)
[1200660845](#) [1200661173](#) [1200680071](#) [1200720053](#) [1200720081](#) [1200720099](#) [1200720217](#) [1200800231](#) [1200860125](#) [1200870123](#)
[1200980102](#) [1200650267](#) [1200650298](#) [1200660183](#) [1200660782](#) [1200660849](#) [1200661295](#) [1200661297](#) [1200661342](#) [1200661343](#)
[1200670080](#) [1200670220](#) [1200680331](#) [1200720252](#) [1200730184](#) [1200860344](#) [1200870359](#) [1200870643](#) [1200980008](#) [1200980031](#)
[1210502211](#) [1210400542](#)