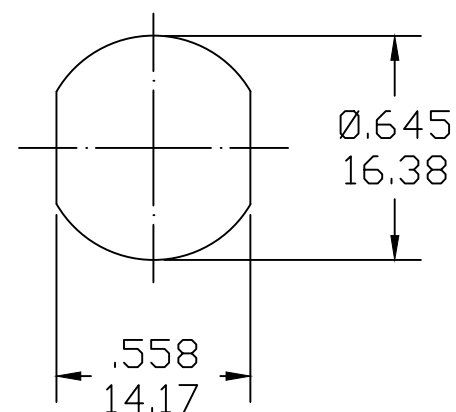


MATERIAL NO.	ENGINEERING NO.	FINISHED LENGTH
1201090038	ERWPAU7017M005	1' 8" (0.5M)
1201090039	ERWPAU7017M010	3' 3" (1M)
1201090040	ERWPAU7017M020	6' 7" (2M)
1201090041	ERWPAU7017M030	9' 10" (3M)

CHART

PANEL CUTOUT

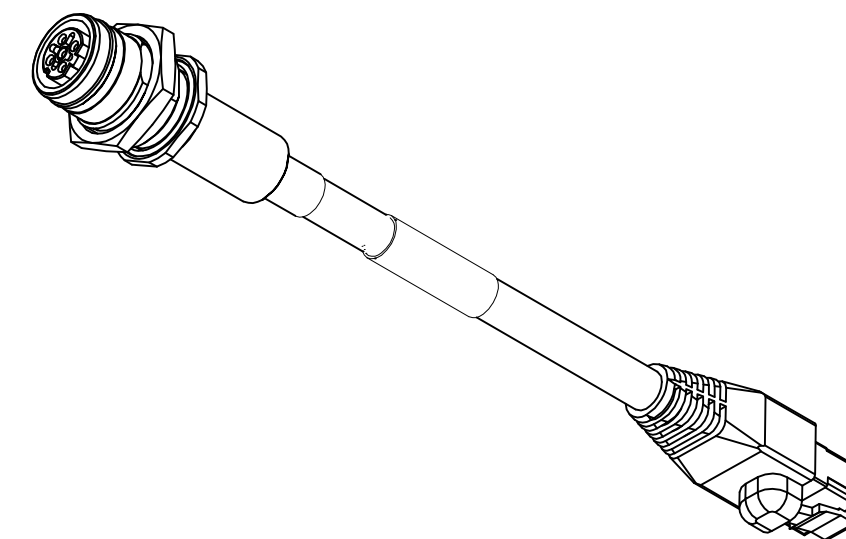


PART NUMBER LEGEND

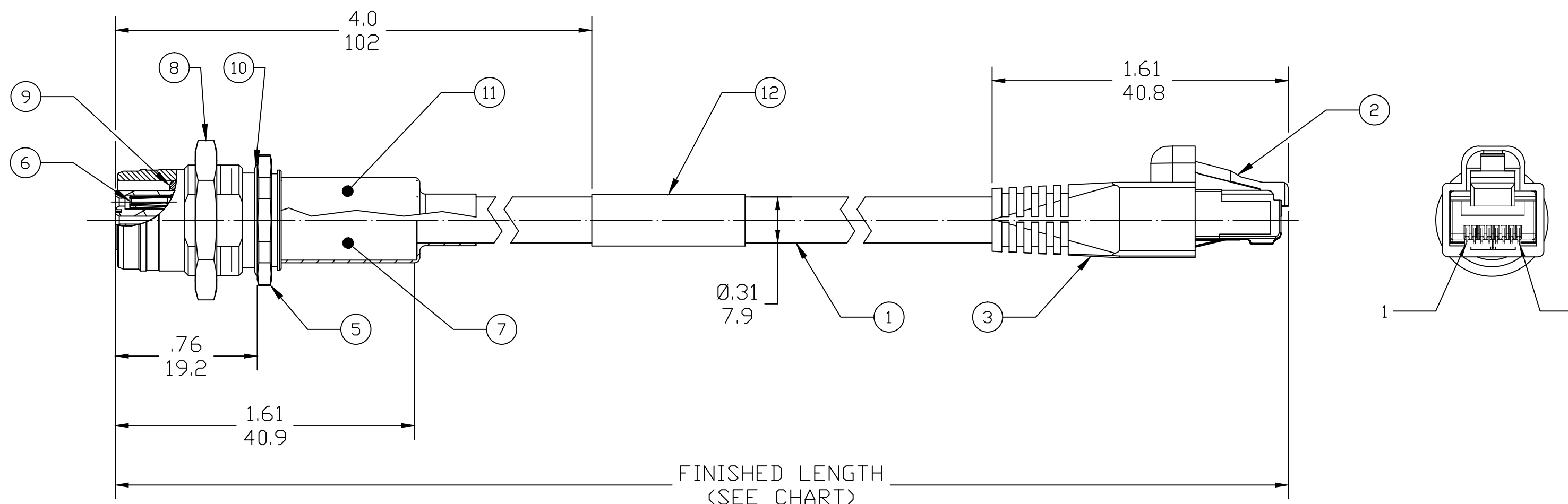
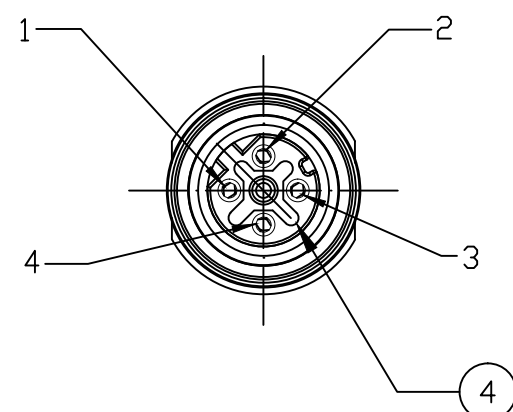
ERWPAU7017M005

CABLE TYPE
22/4 PROFINET
TPE JACKET

FINISHED LENGTH:
M005= 0.5 METER
M010= 1 METER
M100= 10 METER



FEMALE FACE VIEW



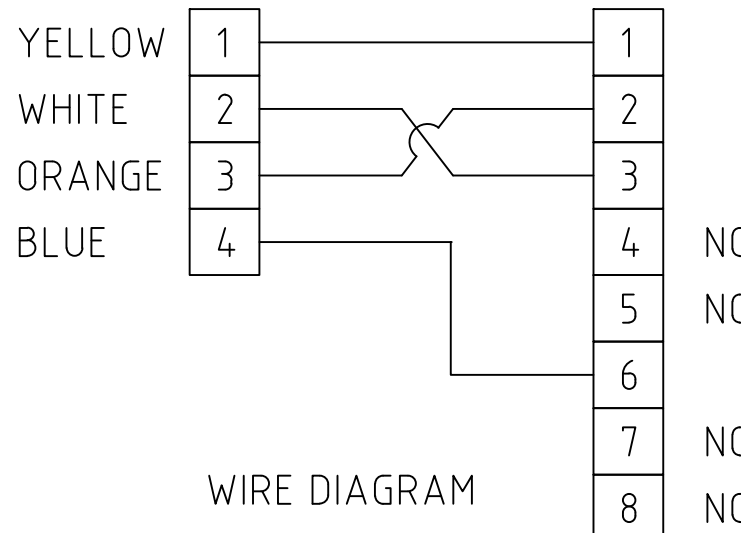
FINISHED LENGTH
(SEE CHART)

NOTES:

1. MATERIAL: SEE TABLE
2. FINISHES: SEE TABLE
3. ELECTRICAL SPECIFICATIONS
VOLTAGE RATING: 150V AC/DC
CURRENT RATING: 1.5 AMPS
4. PROTECTION: IP67(WHEN MATED)
5. DIMS SHOWN ARE FOR REFERENCE UNLESS NOTED OTHERWISE

M12 RECEPTACLE

RJ45 PLUG



WIRE DIAGRAM

CABLE LENGTH TOLERANCES	
>.3M [1FT]:	+19mm-0 [+0.75in-0]
.3 - .9M [1 - 3FT]:	+44.5mm-0 [+1.75in-0]
.9 - 1.8M [3 - 6FT]:	+55.6mm-0 [+2.19in-0]
1.8 - 3.7M [6 - 12FT]:	+88.9mm-0 [+3.50in-0]
3.7 - 7.3M [12 - 24FT]:	+165.1mm-0 [+6.50in-0]
7.3-14.6M [24 - 48FT]:	+317.5mm-0 [+12.50in-0]
14.6 - 30.5M [48-100FT]:	+622.3mm-0 [+24.50in-0]
OVER 30M [100FT]	+2% OF FINISHED LENGTH

TABLE

ITEM	DESCRIPTION	MATERIAL	FINISH
12	WRAP LABEL	VINYL	BLACK/YELLOW
11	SHRINK TUBE-CONDUCTIVE	POLYOLEFIN	BLACK OR SILVER
10	PANEL MOUNT O-RING	NITRIL	BLACK
9	MATING O-RING	VITON	RED
8	PANEL NUT	BRASS	NICKEL PLATED
7	CABLE SLEEVE	BRASS	NICKEL PLATED
6	CONTACT SOCKET	Cu ALLOY	GOLD PLATED
5	INSERT, FEMALE, 4P	PUR	BLACK
4	RECEPTACLE SHELL, U-LOCK, M16	BRASS	NICKEL PLATED
3	RJ-45 BOOT	POLYOLEFIN	BLACK
2	RJ-45 PLUG	POLYCARB/Cu ALLOY	CLEAR/GOLD PLATED
1	CABLE, 22/4, PROFINET, SHIELDED	TPE JACKET	GREEN

RELEASED EC NO: ICG2018-0377 DRWN: RSTONE 2018/01/31 CHKD: M ZIELIN APPR: BWOODMAN2018/02/14	QUALITY SYMBOL ▽=0 ▽C=0	GENERAL TOLERANCES (UNLESS SPECIFIED)	DIMENSION STYLE IN/MM	SCALE ---	DESIGN UNITS INCH	THIRD ANGLE PROJECTION
		4 PLACES ±--- ±--- 3 PLACES ±--- ±--- 2 PLACES ±--- ±--- 1 PLACE ±--- ±---	DRAWN BY DATE RSTONE 2018/01/31	TITLE PROFINET CABLE ASSY. FEM D-CODE RECEPTACLE TO RJ45 PLUG,		
		ANGULAR ±---°	CHECKED BY DATE M ZIELIN ---	MOLEX INCORPORATED		
		DRAFT WHERE APPLICABLE MUST REMAIN WITHIN DIMENSIONS	APPROVED BY DATE BWOODMAN 2018/02/14	MATERIAL NO. SEE CHART	DOCUMENT NO. SD-120109-017	SHEET NO. 1 OF 1

THIS DRAWING CONTAINS INFORMATION THAT IS PROPRIETARY TO MOLEX INCORPORATED AND SHOULD NOT BE USED WITHOUT WRITTEN PERMISSION

X-ON Electronics

Largest Supplier of Electrical and Electronic Components

Click to view similar products for [Sensor Cables / Actuator Cables](#) category:

Click to view products by [Molex](#) manufacturer:

Other Similar products are found below :

[60963](#) [60964](#) [703000D02F2002](#) [703001D02F0602](#) [703001D02F300](#) [704000D02F120](#) [773032K02F030](#) [802027107404-1](#) [802027213811-1](#)
[804001A09M150](#) [805001A09M0502](#) [84914-0235](#) [84914-0237](#) [885030A09M020](#) [8R4J30E03C3003](#) [1200651332](#) [1200651713](#) [1200660844](#)
[1200660845](#) [1200661173](#) [1200680071](#) [1200720053](#) [1200720081](#) [1200720099](#) [1200720217](#) [1200800231](#) [1200860125](#) [1200870123](#)
[1200980102](#) [1200650267](#) [1200650298](#) [1200660183](#) [1200660782](#) [1200660849](#) [1200661295](#) [1200661297](#) [1200661342](#) [1200661343](#)
[1200670080](#) [1200670220](#) [1200680331](#) [1200720252](#) [1200730184](#) [1200860344](#) [1200870359](#) [1200870643](#) [1200980008](#) [1200980031](#)
[1210502211](#) [1210400542](#)