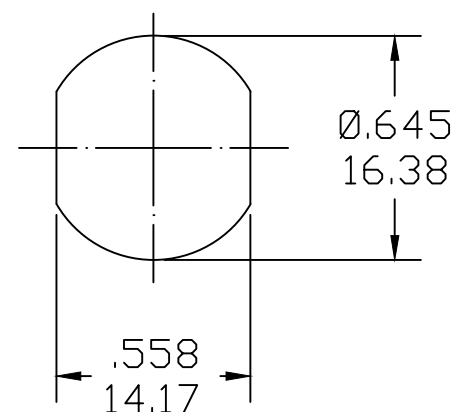


MATERIAL NO.	ENGINEERING NO.	FINISHED LENGTH
1201090038	ERWPAU7017M005	1' 8" ( 0.5M )
1201090039	ERWPAU7017M010	3' 3" ( 1M )
1201090040	ERWPAU7017M020	6' 7" ( 2M )
1201090041	ERWPAU7017M030	9' 10" ( 3M )

CHART

PANEL CUTOUT

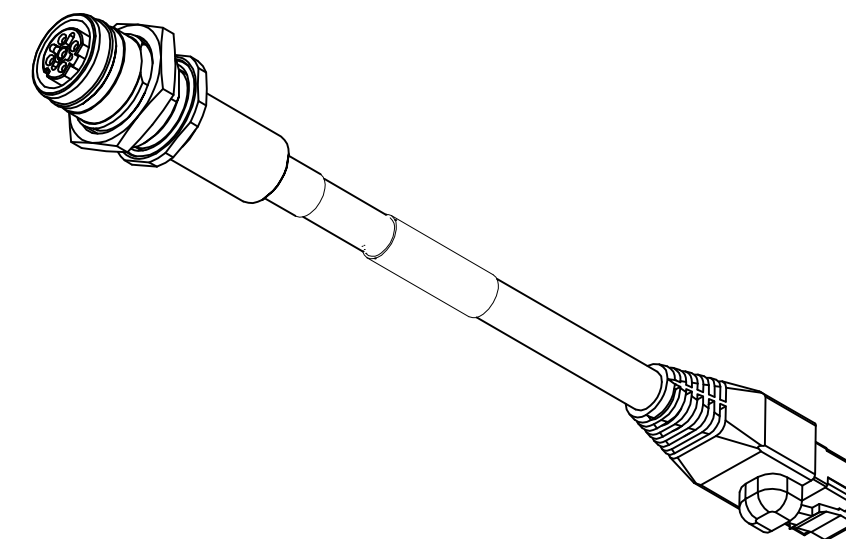


PART NUMBER LEGEND

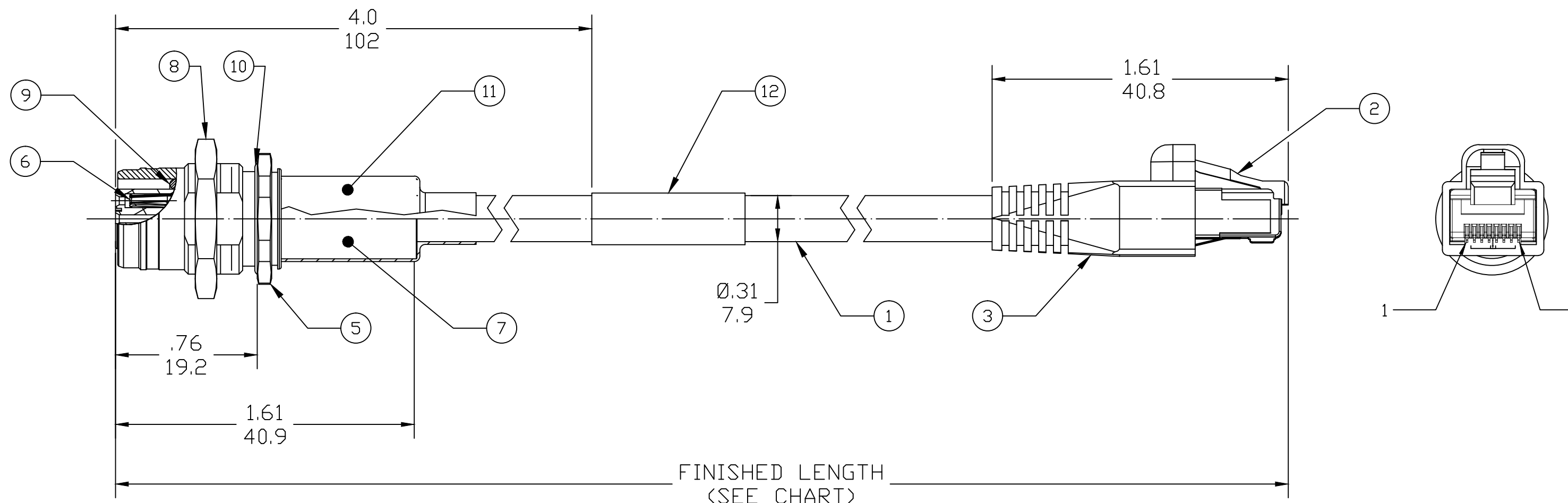
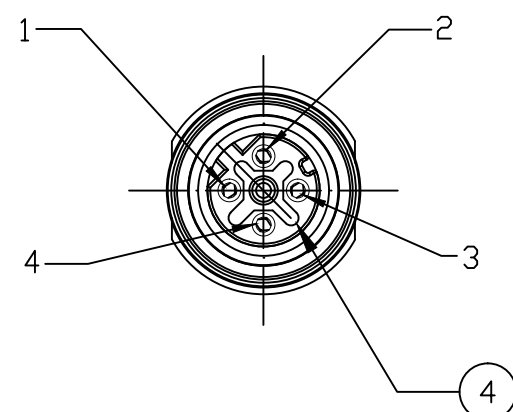
ERWPAU7017M005

CABLE TYPE  
22/4 PROFINET  
TPE JACKET

FINISHED LENGTH:  
M005= 0.5 METER  
M010= 1 METER  
M100= 10 METER



FEMALE FACE VIEW



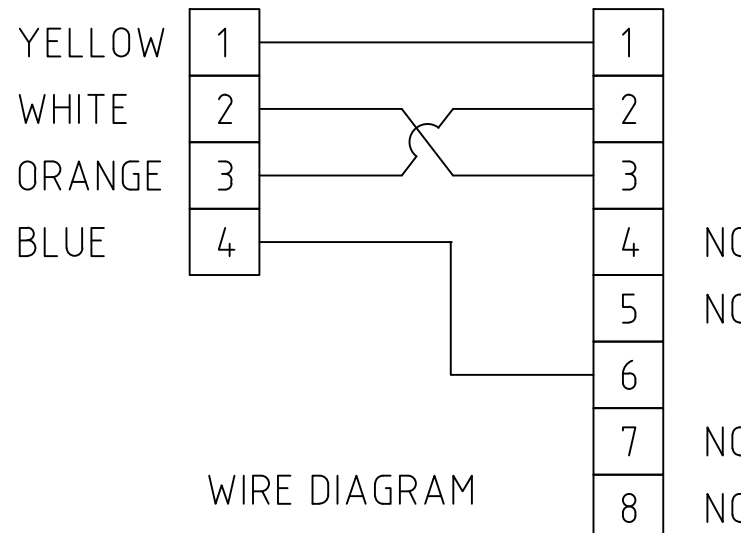
FINISHED LENGTH  
(SEE CHART)

NOTES:

1. MATERIAL: SEE TABLE
2. FINISHES: SEE TABLE
3. ELECTRICAL SPECIFICATIONS  
VOLTAGE RATING: 150V AC/DC  
CURRENT RATING: 1.5 AMPS
4. PROTECTION: IP67(WHEN MATED)
5. DIMS SHOWN ARE FOR REFERENCE UNLESS NOTED OTHERWISE

M12 RECEPTACLE

RJ45 PLUG



WIRE DIAGRAM

CABLE LENGTH TOLERANCES	
>.3M [1FT]:	+19mm-0 [+ .75in-0]
.3 - .9M [1 - 3FT]:	+44.5mm-0 [+1.75in-0]
.9 - 1.8M [3 - 6FT]:	+55.6mm-0 [+2.19in-0]
1.8 - 3.7M [6 - 12FT]:	+88.9mm-0 [+3.50in-0]
3.7 - 7.3M [12 - 24FT]:	+165.1mm-0 [+6.50in-0]
7.3-14.6M [24 - 48FT]:	+317.5mm-0 [+12.50in-0]
14.6 - 30.5M [48-100FT]:	+622.3mm-0 [+24.50in-0]
OVER 30M [100FT]	+2% OF FINISHED LENGTH

TABLE

ITEM	DESCRIPTION	MATERIAL	FINISH
12	WRAP LABEL	VINYL	BLACK/YELLOW
11	SHRINK TUBE-CONDUCTIVE	POLYOLEFIN	BLACK OR SILVER
10	PANEL MOUNT O-RING	NITRIL	BLACK
9	MATING O-RING	VITON	RED
8	PANEL NUT	BRASS	NICKEL PLATED
7	CABLE SLEEVE	BRASS	NICKEL PLATED
6	CONTACT SOCKET	Cu ALLOY	GOLD PLATED
5	INSERT, FEMALE, 4P	PUR	BLACK
4	RECEPTACLE SHELL, U-LOCK, M16	BRASS	NICKEL PLATED
3	RJ-45 BOOT	POLYOLEFIN	BLACK
2	RJ-45 PLUG	POLYCARB/Cu ALLOY	CLEAR/GOLD PLATED
1	CABLE, 22/4, PROFINET, SHIELDED	TPE JACKET	GREEN

RELEASED EC NO: ICG2018-0377 DRWN: RSTONE 2018/01/31 CHKD: M ZIELIN APPR: BWOODMAN2018/02/14	QUALITY SYMBOL ▽=0 ▽C=0	GENERAL TOLERANCES (UNLESS SPECIFIED)		DIMENSION STYLE IN/MM		SCALE ---	DESIGN UNITS INCH	THIRD ANGLE PROJECTION		
		4 PLACES ±--- ±---	mm INCH	DRAWN BY RSTONE	DATE 2018/01/31	TITLE PROFINET CABLE ASSY. FEM D-CODE RECEPTACLE TO RJ45 PLUG,				
		3 PLACES ±--- ±---		CHECKED BY M ZIELIN	DATE ---	MOLEX INCORPORATED				
		2 PLACES ±--- ±---		APPROVED BY BWOODMAN 2018/02/14		MATERIAL NO. SEE CHART	DOCUMENT NO. SD-120109-017	SHEET NO. 1 OF 1		
1 PLACE ±--- ±---		ANGULAR ±---°		THIS DRAWING CONTAINS INFORMATION THAT IS PROPRIETARY TO MOLEX INCORPORATED AND SHOULD NOT BE USED WITHOUT WRITTEN PERMISSION						
DRAFT WHERE APPLICABLE MUST REMAIN WITHIN DIMENSIONS		SIZE C								

## X-ON Electronics

Largest Supplier of Electrical and Electronic Components

*Click to view similar products for [Sensor Cables / Actuator Cables](#) category:*

*Click to view products by [Molex](#) manufacturer:*

Other Similar products are found below :

[60963](#) [60964](#) [703000D02F2002](#) [703001D02F0602](#) [703001D02F300](#) [704000D02F120](#) [773032K02F030](#) [802027107404-1](#) [802027213811-1](#)  
[804001A09M150](#) [805001A09M0502](#) [84914-0235](#) [84914-0237](#) [885030A09M020](#) [8R4J30E03C3003](#) [1200651332](#) [1200651713](#) [1200660844](#)  
[1200660845](#) [1200661173](#) [1200680071](#) [1200720053](#) [1200720081](#) [1200720099](#) [1200720217](#) [1200800231](#) [1200860125](#) [1200870123](#)  
[1200980102](#) [1200650267](#) [1200650298](#) [1200660183](#) [1200660782](#) [1200660849](#) [1200661295](#) [1200661297](#) [1200661342](#) [1200661343](#)  
[1200670080](#) [1200670220](#) [1200680331](#) [1200720252](#) [1200730184](#) [1200860344](#) [1200870359](#) [1200870643](#) [1200980008](#) [1200980031](#)  
[1210502211](#) [1210400542](#)