

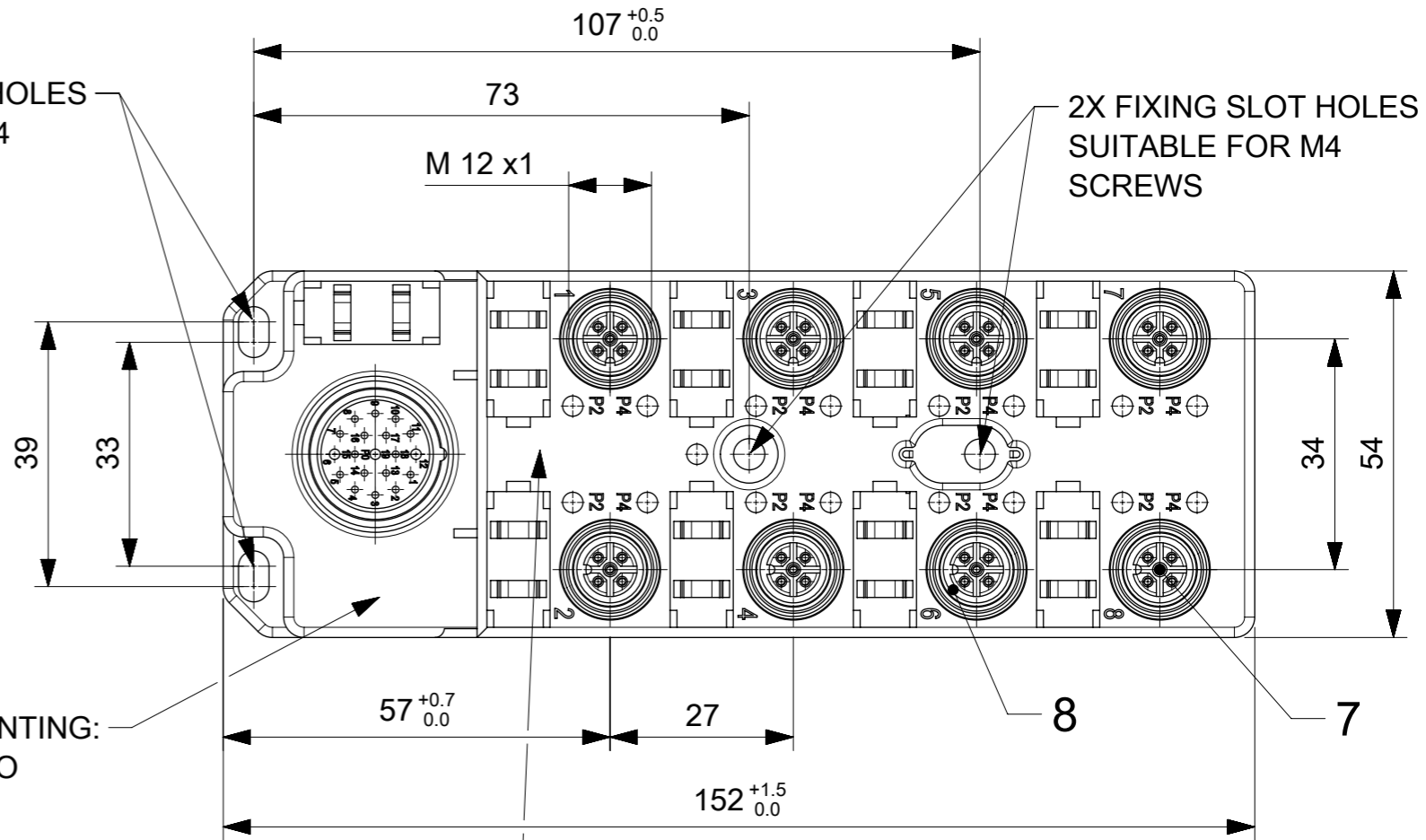
TABLE 1

MOLEX P/N	ENG. NO.	LED
1202480065	BTB8030-FBC	NO
1202480066	BTB803P-FBC	YES
1202480136	BTB803N-FBC	YES

TABLE 2 BILL OF MATERIAL

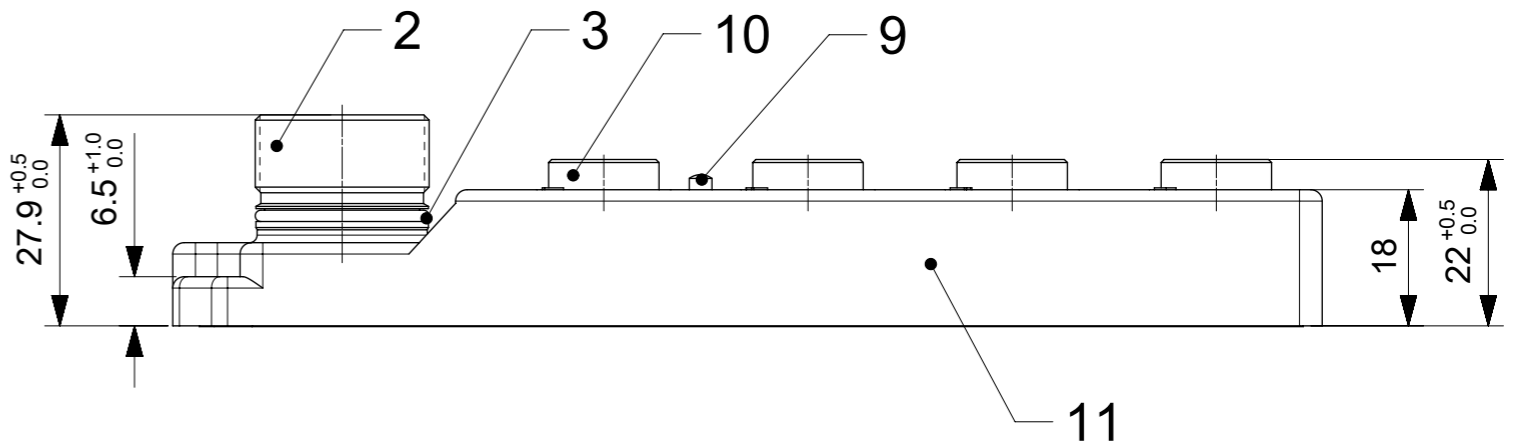
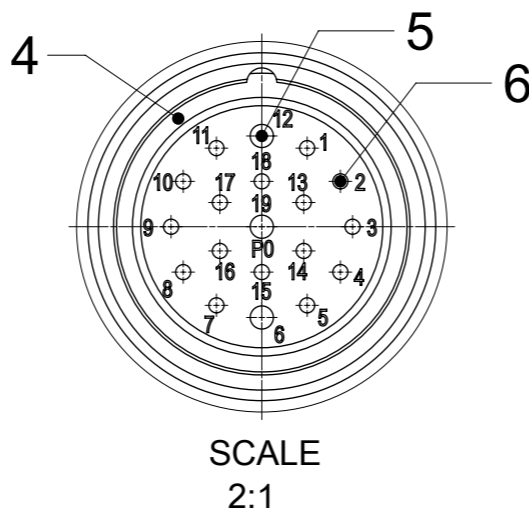
ITEM	DESCRIPTION	MATERIAL	FINISH
1	LABEL	ABS	WHITE
2	SHELL	BRASS	NICKEL PLATED
3	O-RING	NBR	BLACK
4	O-RING	NBR	BLACK
5	CONTACT	BRASS	GOLD OVER NICKEL
6	CONTACT	BRASS	GOLD OVER NICKEL
7	CONTACT	BRONZE	GOLD OVER NICKEL
8	O-RING	FPM	RED
9	LED	NO LED = PA	BLACK
		WITH LED = PA	TRANSPARENT
10	SHELL	BRASS	NICKEL PLATED
11	HOUSING	PBT	BLACK

2X FIXING SLOT HOLES
SUITABLE FOR M4
SCREWS

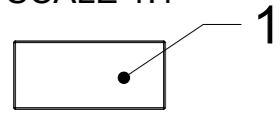


LASER PRINTING:
BRAD LOGO

LASER PRINTING:
PN: 120248XXXX
ENG.: BTB803X-FBC
PO: XXXXXXXXX



SCALE 1:1

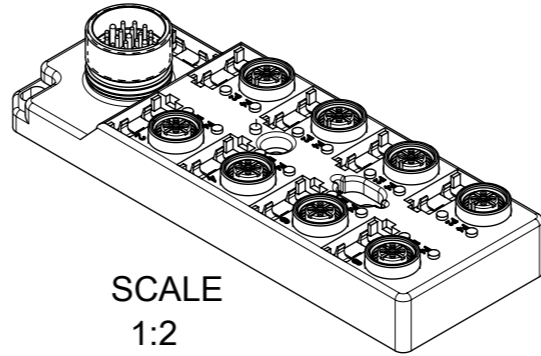


LABEL
9x packed in a bag.

GENERAL CHARACTERISTICS:

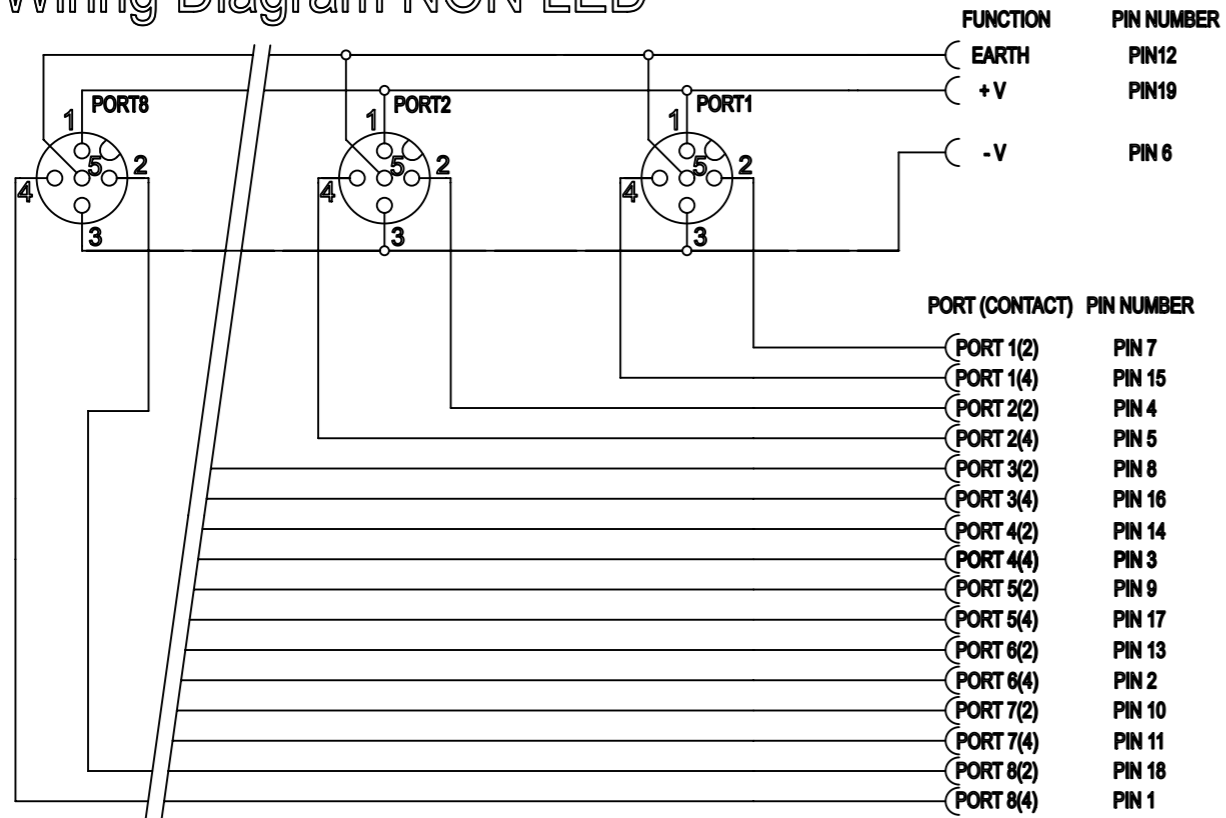
ELECTRICAL AND MECHANICAL DATA ACC. TO IEC 61076-2-101

NOMINAL VOLTAGE: 10-30 V DC
 AMPERE RATING: 4 A PER PORT / 12 A MAX
 AMPERE RATING WITH UL REGISTRATION: 3 A PER PORT / 9 A MAX
 IP DEGREE OF PROTECTION: IP 67
 TEMPERATURE RANGE: -25°C to + 85°C

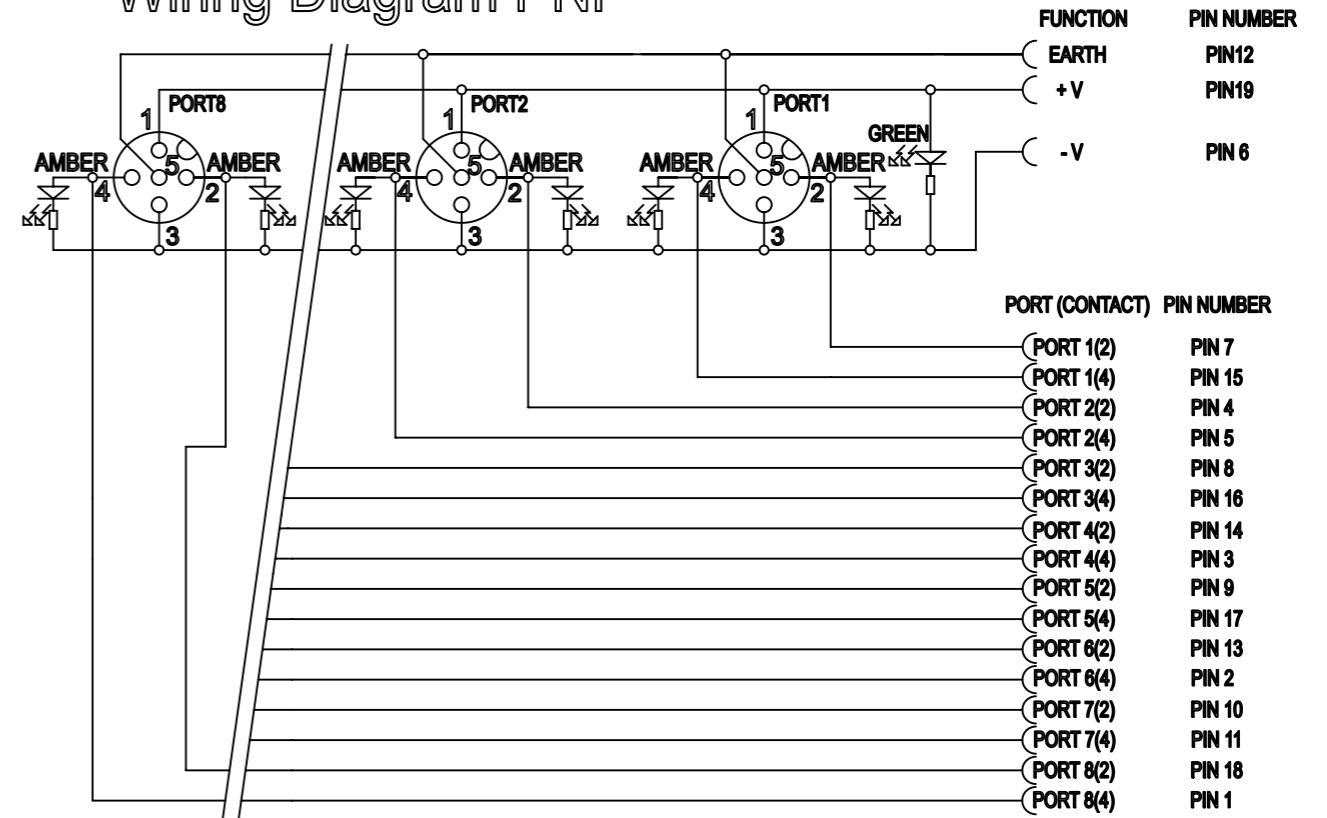


SYMBOLS		THIS DRAWING CONTAINS INFORMATION THAT IS PROPRIETARY TO MOLEX ELECTRONIC TECHNOLOGIES, LLC AND SHOULD NOT BE USED WITHOUT WRITTEN PERMISSION	
▽ = 0	mm	SCALE	CURRENT REV DESC: LASER PRINT UPDATE
▽ = 0	GENERAL TOLERANCES (UNLESS SPECIFIED)		
▽ = 0	ANGULAR TOL ± °		
▽ = 0	4 PLACES ±	EC NO: 606042	MPIS M12 PNP NPN NOS 5P 8PT 19P M23 BK DUAL
▽ = 0	3 PLACES ±	DRWN: SSM 2018/08/31	
▽ = 0	2 PLACES ±	CHK'D: RSILLER 2018/10/18	PRODUCT CUSTOMER DRAWING
▽ = 0	1 PLACE ±	APPR: RSILLER 2018/10/18	
▽ = 0	0 PLACES ± 0.25	INITIAL REVISION:	DOCUMENT NUMBER
□ = 0	DRAFT WHERE APPLICABLE MUST REMAIN WITHIN DIMENSIONS	DRWN: AAHLERS 2015/04/02	1202480065
▽ = 0	THIRD ANGLE PROJECTION	APPR: RSILLER 2015/05/20	DOC TYPE DOC PART REVISION
			PSD 000 B
			MATERIAL NUMBER CUSTOMER SHEET NUMBER
			SEE TABLE 1 GENERAL MARKET 1 OF 2

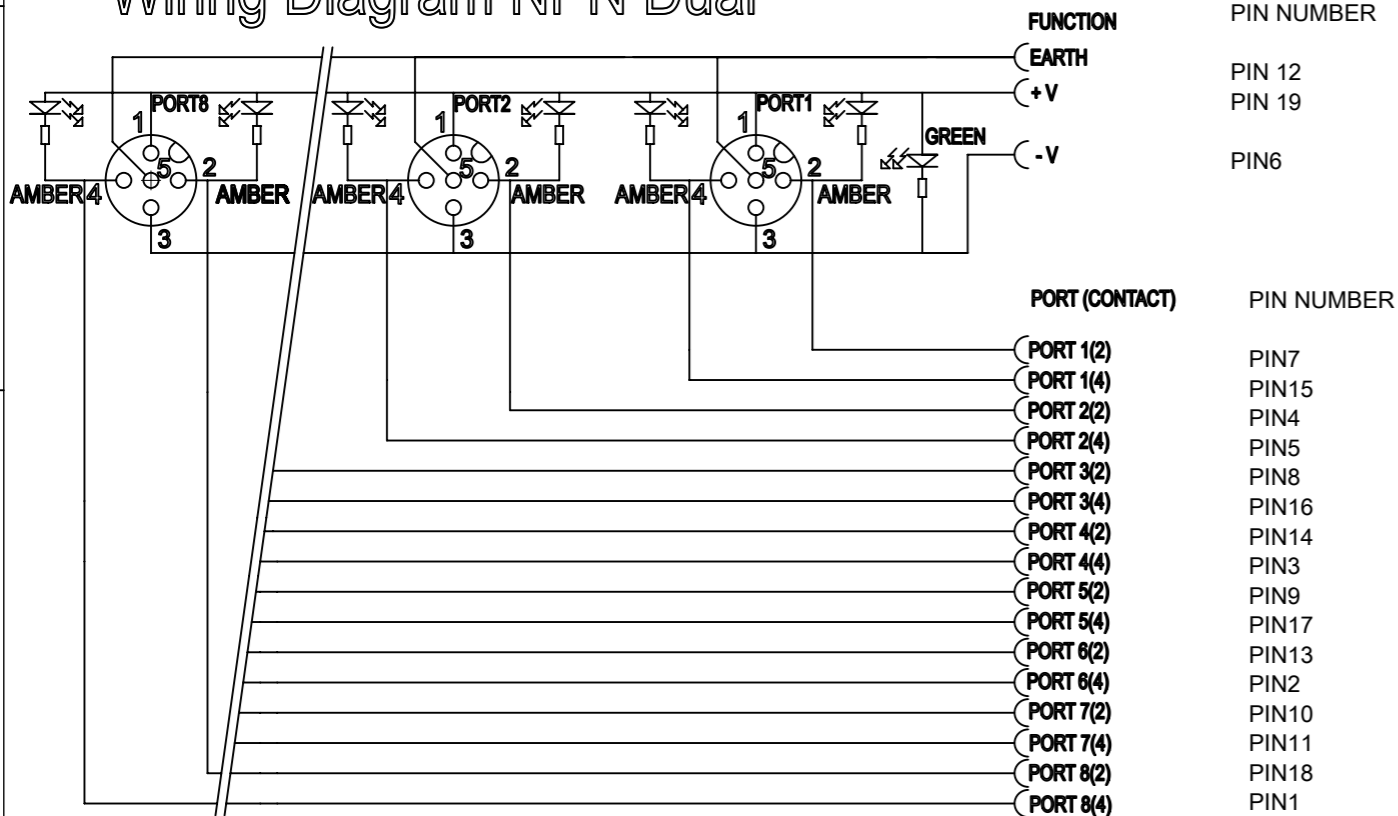
Wiring Diagram NON LED



Wiring Diagram PNP



Wiring Diagram NPN Dual



SYMBOLS	THIS DRAWING CONTAINS INFORMATION THAT IS PROPRIETARY TO MOLEX ELECTRONIC TECHNOLOGIES, LLC AND SHOULD NOT BE USED WITHOUT WRITTEN PERMISSION		CURRENT REV DESC: LASER PRINT UPDATE	
	DIMENSION UNITS	SCALE		
▽ = 0	mm			molex
▽ = 0	GENERAL TOLERANCES (UNLESS SPECIFIED)		MPIS M12 PNP NPN NOS 5P 8PT 19P M23 BK DUAL	
▽ = 0	ANGULAR TOL	±	°	PRODUCT CUSTOMER DRAWING
▽ = 0	4 PLACES	±		
▽ = 0	3 PLACES	±		DOCUMENT NUMBER
▽ = 0	2 PLACES	±		
▽ = 0	1 PLACE	±		1202480065
▽ = 0	0 PLACES	±	0.25	
■ = 0	DRAFT WHERE APPLICABLE MUST REMAIN WITHIN DIMENSIONS	THIRD ANGLE PROJECTION	DRAWING	SERIES
▽ = 0			A3-SIZE	120248
		MATERIAL NUMBER	CUSTOMER	SHEET NUMBER
		SEE TABLE 1	GENERAL MARKET	2 OF 2

X-ON Electronics

Largest Supplier of Electrical and Electronic Components

Click to view similar products for [Circular Metric Connectors](#) category:

Click to view products by [Molex](#) manufacturer:

Other Similar products are found below :

[600X518037X](#) [6STD15PCR99B70A](#) [8R4000A16M020](#) [8R5000A16M005](#) [1200910002](#) [1203580030](#) [1200910008](#) [1200910011](#) [1300140094](#)
[130203-0054](#) [1300140026](#) [1300150099](#) [RF-12S1N8A90DU](#) [1-3637-600-5205](#) [1612618](#) [21036836414](#) [8R4006A16M010](#) [1R3006A20M005](#)
[RF-12P1N8A90DU](#) [41-40011](#) [42-00006](#) [42-01015](#) [4-22279-4](#) [4-22281-1](#) [4-22284-9](#) [43-00113](#) [43-01088](#) [43-01203](#) [41-40013](#) [42-00008](#) [43-](#)
[00343](#) [43-01026](#) [43-01162](#) [43-01173](#) [43-10000](#) [XS3P-M421-2](#) [600X518050X](#) [SACC-DSI-FS-5P-PG9-L180 SC](#) [8R5006A16M020](#)
[8R5006A16M005](#) [8R4000A16M010](#) [6-22279-3](#) [1605332](#) [N03FA03144](#) [1300140077](#) [43-16213](#) [43-01338](#) [XS2RD4265](#) [XS2R-D426-1](#)
[XS8A-0441](#)