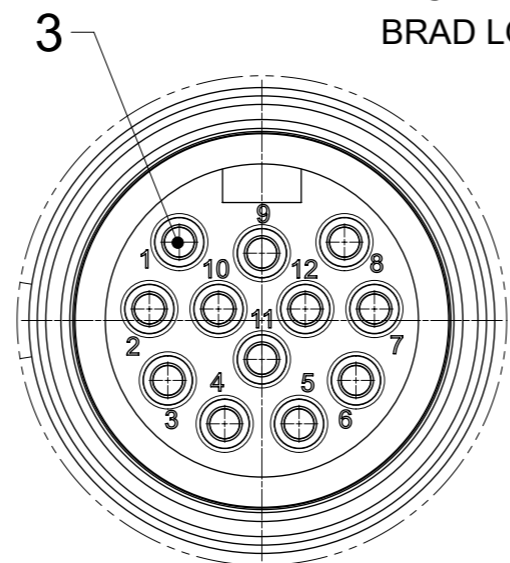
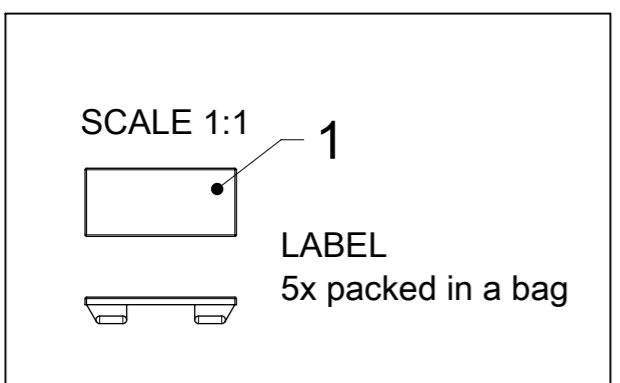


TABLE 1

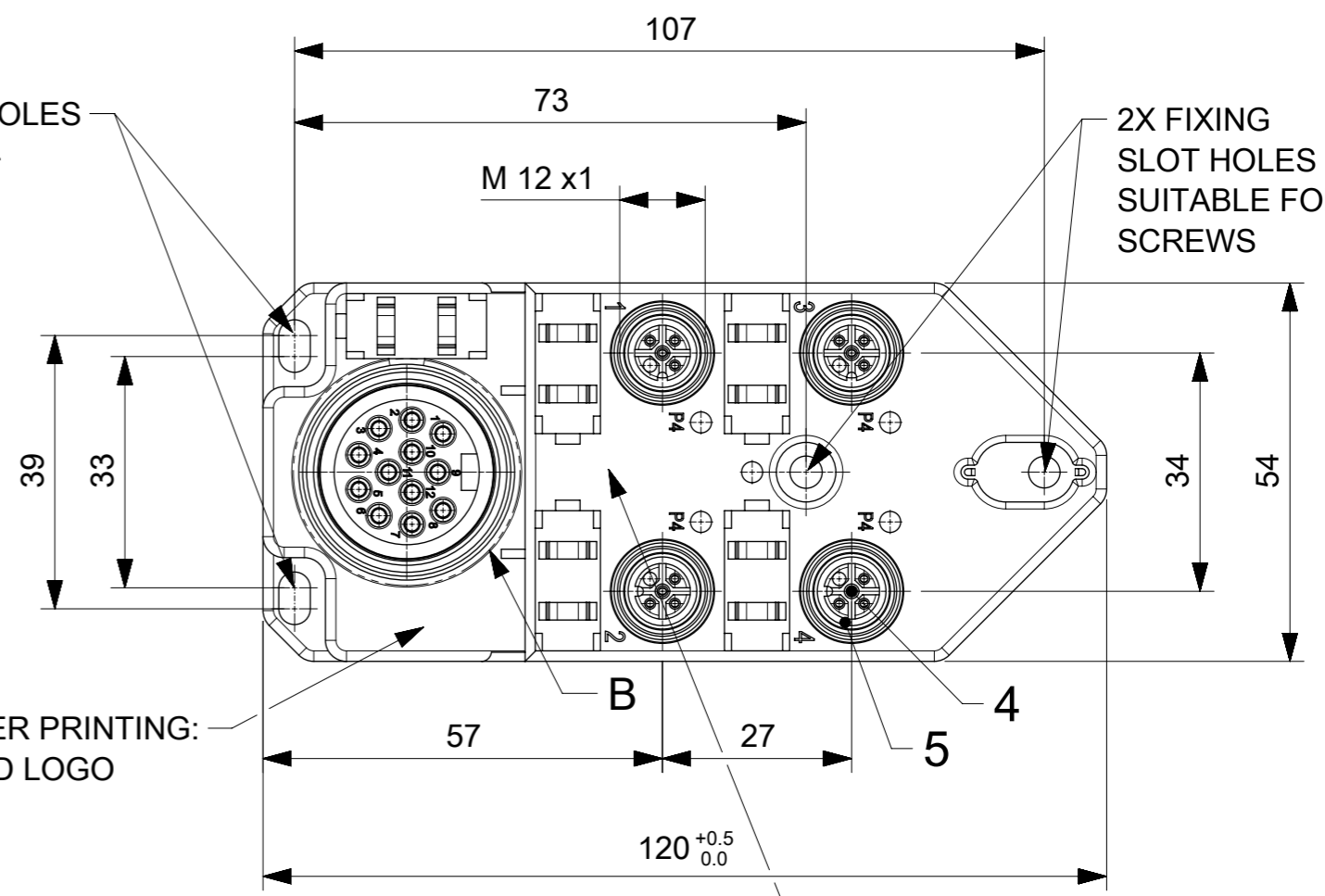
MOLEX P/N	ENG. NO.	LED
1202480067	BTB4010-FBB	NO
1202480068	BTB401P-FBB	YES
1202480069	BTB401N-FBB	YES

TABLE 2 BILL OF MATERIAL

ITEM	DESCRIPTION	MATERIAL	FINISH
1	LABEL	ABS	WHITE
2	SHELL	BRASS	NICKEL PLATED
3	CONTACT	BRASS	GOLD OVER NICKEL
4	CONTACT	BRONZE	GOLD OVER NICKEL
5	O-RING	FPM	RED
6	LED	NO LED = PA	BLACK
		WITH LED = PA	TRANSPARENT
7	SHELL	BRASS	NICKEL PLATED
8	HOUSING	PBT	BLACK



DETAIL B
SCALE 2:1
NOTE - PINS 5, 6, 7, 8 & 12 NOT USED

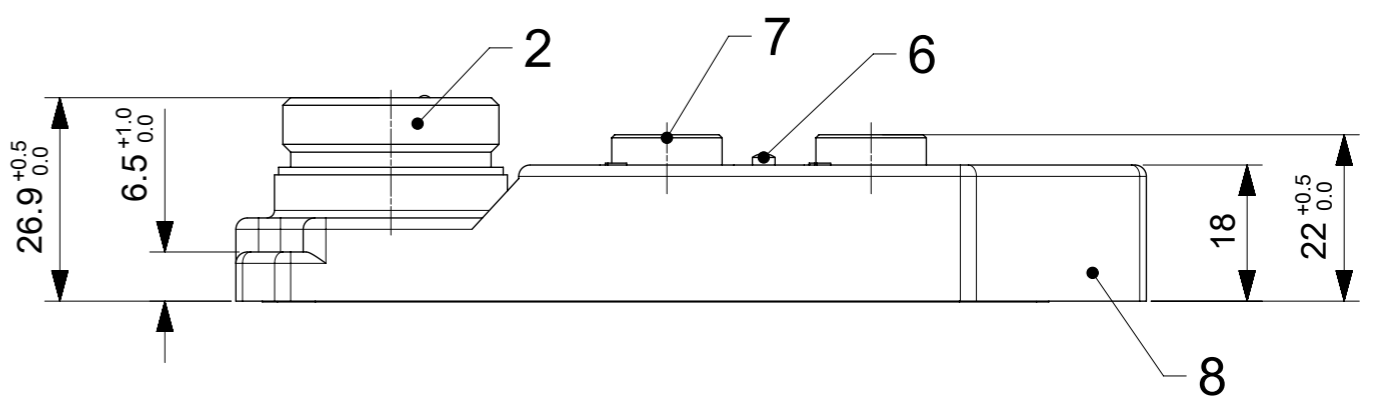


2X FIXING SLOT HOLES
SUITABLE FOR M4
SCREWS

2X FIXING
SLOT HOLES
SUITABLE FOR M4
SCREWS

LASER PRINTING:
BRAD LOGO

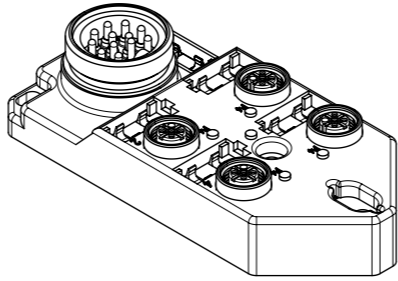
LASER PRINTING:
PN: 120248XXXX
ENG.: BTB401X-FBB
PO: XXXXXXXXXX



GENERAL CHARACTERISTICS:

ELECTRICAL AND MECHANICAL DATA ACC. TO IEC 61076-2-101

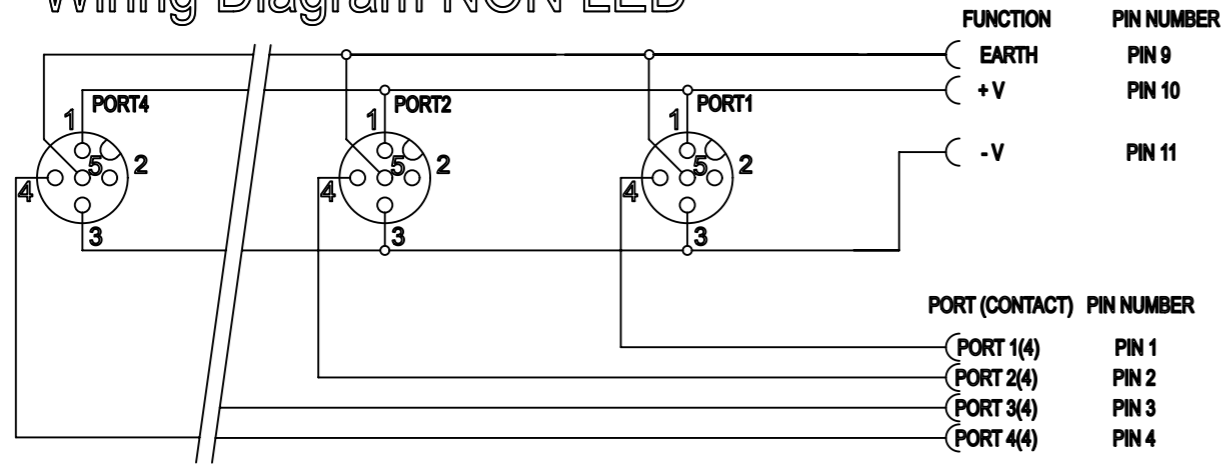
NOMINAL VOLTAGE: 10-30 V DC
 AMPERE RATING: 4 A PER PORT / 12 A MAX
 AMPERE RATING WITH UL REGISTRATION: 3 A PER PORT / 9 A MAX
 IP DEGREE OF PROTECTION: IP 67
 TEMPERATURE RANGE: -25°C to + 85°C



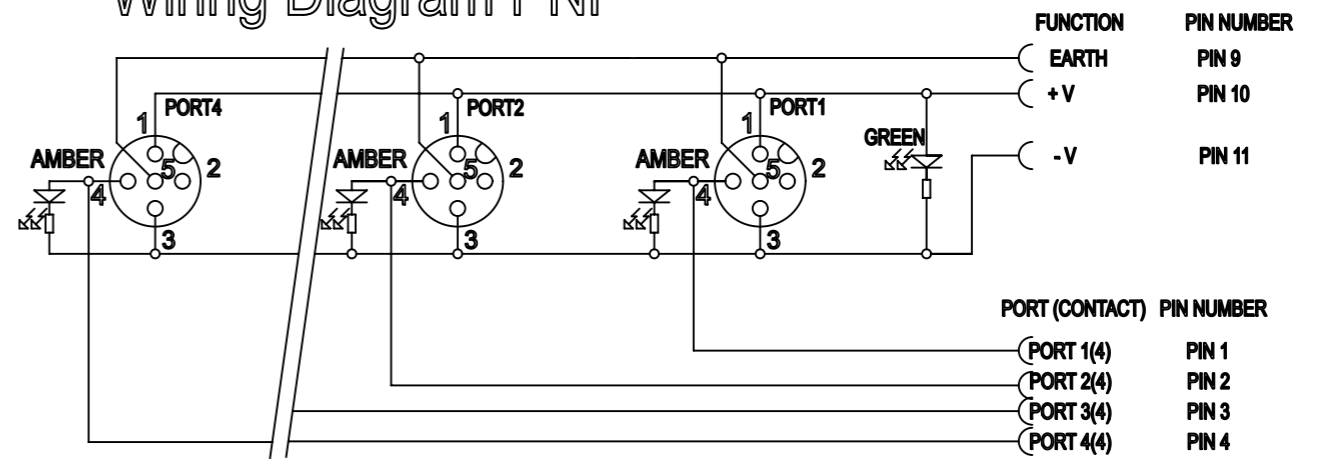
SCALE
1:2

SYMBOLS		THIS DRAWING CONTAINS INFORMATION THAT IS PROPRIETARY TO MOLEX ELECTRONIC TECHNOLOGIES, LLC AND SHOULD NOT BE USED WITHOUT WRITTEN PERMISSION	
DIMENSION UNITS	SCALE	CURRENT REV DESC: LASER PRINT UPDATE	
▽ = 0	mm	molex MPIS M12 PNP NPN NOS 4P 4PT 12P MC BK STA SINGLE	
▽ = 0	GENERAL TOLERANCES (UNLESS SPECIFIED)		
▽ = 0	ANGULAR TOL ± °		
▽ = 0	4 PLACES ±		
▽ = 0	3 PLACES ±	EC NO: 606042	2018/08/31
▽ = 0	2 PLACES ±	DRWN: SSM	2018/10/18
▽ = 0	1 PLACE ±	CHK'D: RSILLER	2018/10/18
▽ = 0	0 PLACES ± 0.25	APPR: RSILLER	2018/10/18
□ = 0	DRAFT WHERE APPLICABLE MUST REMAIN WITHIN DIMENSIONS	INITIAL REVISION:	
▽ = 0		DRWN: AAHLERS	2015/04/07
		APPR: RSILLER	2017/01/18
		THIRD ANGLE PROJECTION	
		DRAWING	SERIES
		A3-SIZE	120248
		MATERIAL NUMBER	CUSTOMER
		SEE TABLE 1	GENERAL MARKET
		DOCUMENT NUMBER	DOC TYPE DOC PART REVISION
		1202480067	PSD 000 B
			SHEET NUMBER
			1 OF 2

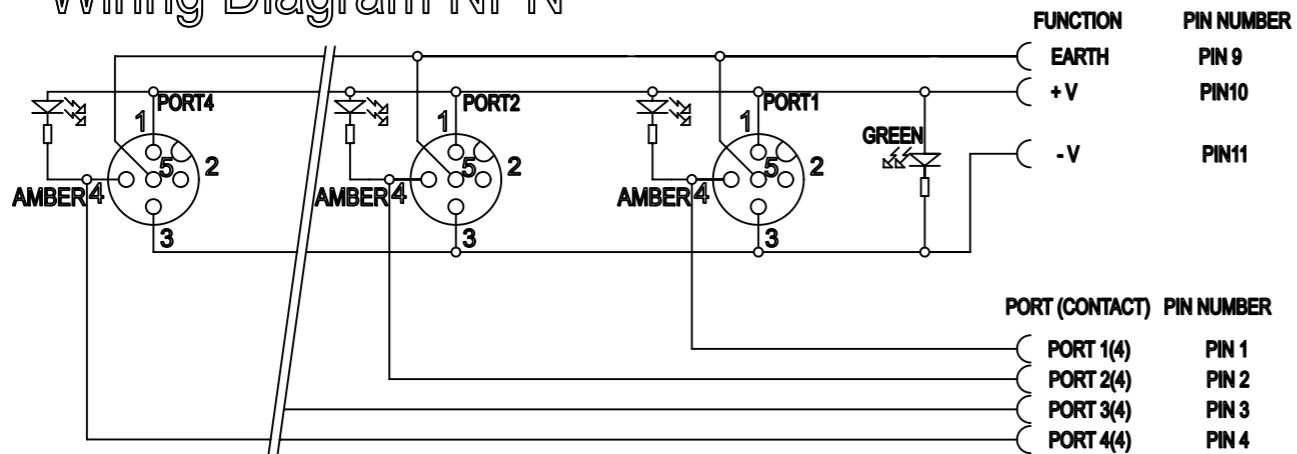
Wiring Diagram NON LED



Wiring Diagram PNP



Wiring Diagram NPN



SYMBOLS	THIS DRAWING CONTAINS INFORMATION THAT IS PROPRIETARY TO MOLEX ELECTRONIC TECHNOLOGIES, LLC AND SHOULD NOT BE USED WITHOUT WRITTEN PERMISSION		CURRENT REV DESC: LASER PRINT UPDATE			molex		
	DIMENSION UNITS	SCALE						
▽ = 0	mm		EC NO: 606042	2018/08/31	DOCUMENT NUMBER	DOC TYPE	DOC PART	REVISION
▽ = 0	GENERAL TOLERANCES (UNLESS SPECIFIED)		DRWN: SSM	2018/10/18				
▽ = 0	ANGULAR TOL ± °		CHK'D: RSILLER	2018/10/18				
▽ = 0	4 PLACES	±	APPR: RSILLER	2018/10/18	PRODUCT CUSTOMER DRAWING			
▽ = 0	3 PLACES	±	INITIAL REVISION:		1202480067	PSD	000	B
▽ = 0	2 PLACES	±	DRWN: AAHLERS	2015/04/07				
▽ = 0	1 PLACE	±	APPR: RSILLER	2017/01/18	MATERIAL NUMBER			
▽ = 0	0 PLACES	± 0.25	THIRD ANGLE PROJECTION		DRAWING		SERIES	
■ = 0	DRAFT WHERE APPLICABLE MUST REMAIN WITHIN DIMENSIONS		DRAWING		A3-SIZE		120248	
▽ = 0			SERIES		MATERIAL NUMBER		CUSTOMER	
					SEE TABLE 1		GENERAL MARKET	
							SHEET NUMBER	
							2 OF 2	

X-ON Electronics

Largest Supplier of Electrical and Electronic Components

Click to view similar products for [Circular Metric Connectors](#) category:

Click to view products by [Molex](#) manufacturer:

Other Similar products are found below :

[600X518037X](#) [6STD15PCR99B70A](#) [8R4000A16M020](#) [8R5000A16M005](#) [1200910002](#) [1203580030](#) [1200910008](#) [1200910011](#) [1300140094](#)
[130203-0054](#) [1300140026](#) [1300150099](#) [RF-12S1N8A90DU](#) [1-3637-600-5205](#) [1612618](#) [21036836414](#) [8R4006A16M010](#) [1604232](#)
[1R3006A20M005](#) [RF-12P1N8A90DU](#) [41-40011](#) [42-00006](#) [42-01015](#) [4-22279-4](#) [4-22281-1](#) [4-22284-9](#) [43-00113](#) [43-01088](#) [43-01203](#) [41-](#)
[40013](#) [42-00008](#) [43-00343](#) [43-01026](#) [43-01162](#) [43-01173](#) [43-10000](#) [XS3P-M421-2](#) [600X518050X](#) [SACC-DSI-FS-5P-PG9-L180 SC](#)
[8R5006A16M020](#) [8R5006A16M005](#) [8R4000A16M010](#) [6-22279-3](#) [1605332](#) [N03FA03144](#) [1300140077](#) [43-16213](#) [43-01338](#) [XS2RD4265](#)
[XS2R-D426-1](#)