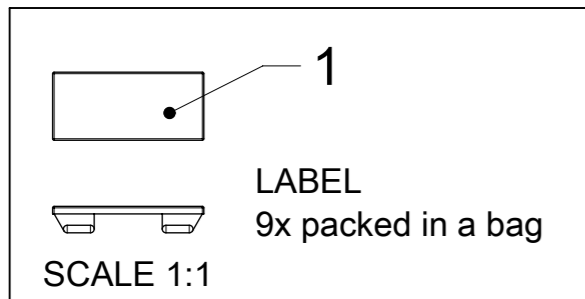


**TABLE 1**

MOLEX P/N	ENG. NO.	CABLE LENGTH (mm)	LED
1202480019	BTB8000-FBW-05	5000	NO
1202480020	BTB8000-FBW-10	10000	NO
1202480021	BTB8000-FBW-15	15000	NO
1202480022	BTB800P-FBW-05	5000	YES
1202480023	BTB800P-FBW-10	10000	YES
1202480024	BTB800P-FBW-15	15000	YES
1202480521	BTB800P-FBW-20	20000	YES
1202480025	BTB800N-FBW-05	5000	YES
1202480026	BTB800N-FBW-10	10000	YES
1202480027	BTB800N-FBW-15	15000	YES

**TABLE 2 BILL OF MATERIAL**

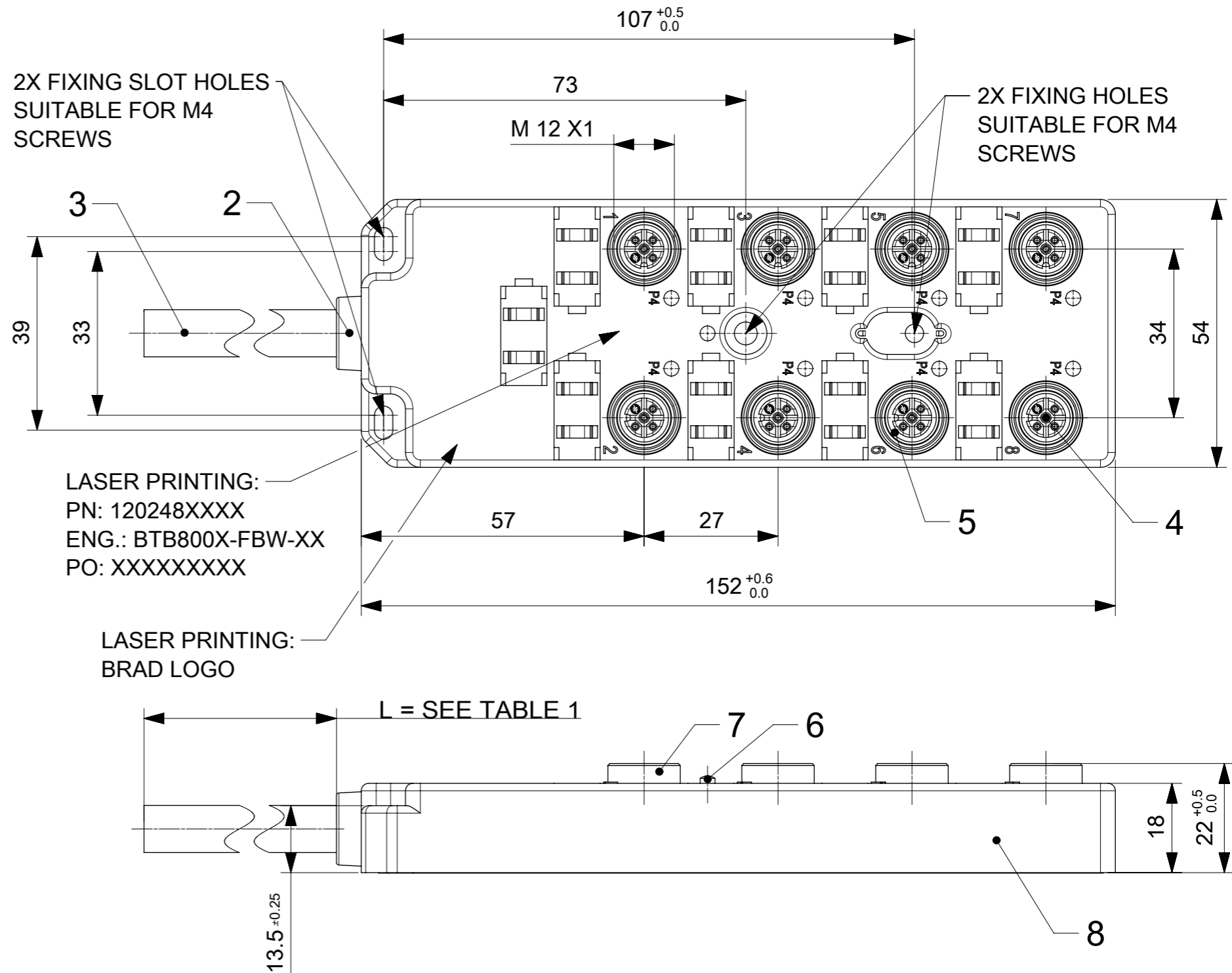
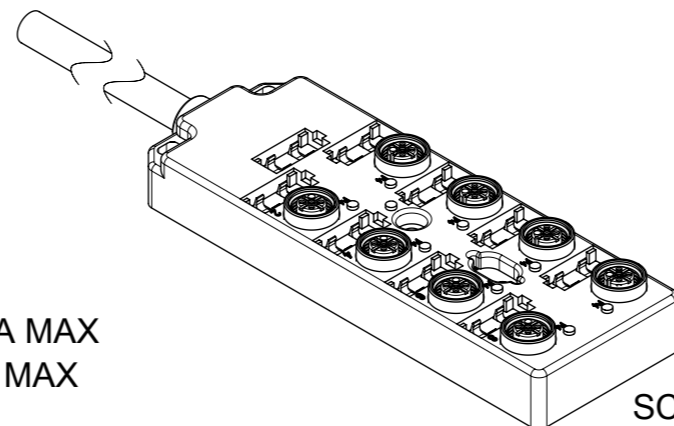
ITEM	DESCRIPTION	MATERIAL	FINISH
1	LABEL	ABS	WHITE
2	CABLE PLATE	PBT	BLACK
3	CABLE	TPU BASED	BLACK
4	CONTACT	BRONZE	GOLD OVER NICKEL
5	O-RING	FPM	RED
6	LED	NO LED = PA	BLACK
		WITH LED = PA	TRANSPARENT
7	SHELL	BRASS	NICKEL PLATED
8	HOUSING	PBT	BLACK



**GENERAL CHARACTERISTICS:**

ELECTRICAL AND MECHANICAL DATA ACC. TO IEC 61076-2-101

NOMINAL VOLTAGE: 10-30 V DC  
 AMPERE RATING: 4 A PER PORT / 12 A MAX  
 AMPERE RATING WITH UL REGISTRATION: 3 A PER PORT / 9 A MAX  
 IP DEGREE OF PROTECTION: IP 67  
 TEMPERATURE RANGE: -25°C to + 85°C



SYMBOLS	THIS DRAWING CONTAINS INFORMATION THAT IS PROPRIETARY TO MOLEX ELECTRONIC TECHNOLOGIES, LLC AND SHOULD NOT BE USED WITHOUT WRITTEN PERMISSION	
DIMENSION UNITS	SCALE	CURRENT REV DESC: LASER PRINTING ADDED
▽ = 0	mm	
▽ = 0	GENERAL TOLERANCES (UNLESS SPECIFIED)	
▽ = 0	ANGULAR TOL ±	°
▽ = 0	4 PLACES ±	
▽ = 0	3 PLACES ±	
▽ = 0	2 PLACES ±	
▽ = 0	1 PLACE ±	
▽ = 0	0 PLACES ±	0.25
■ = 0	DRAFT WHERE APPLICABLE MUST REMAIN WITHIN DIMENSIONS	
▽ = 0	THIRD ANGLE PROJECTION	DRAWING SERIES MATERIAL NUMBER CUSTOMER SHEET NUMBER
	A3-SIZE	120248 SEE TABLE 1 GENERAL MARKET 1 OF 2

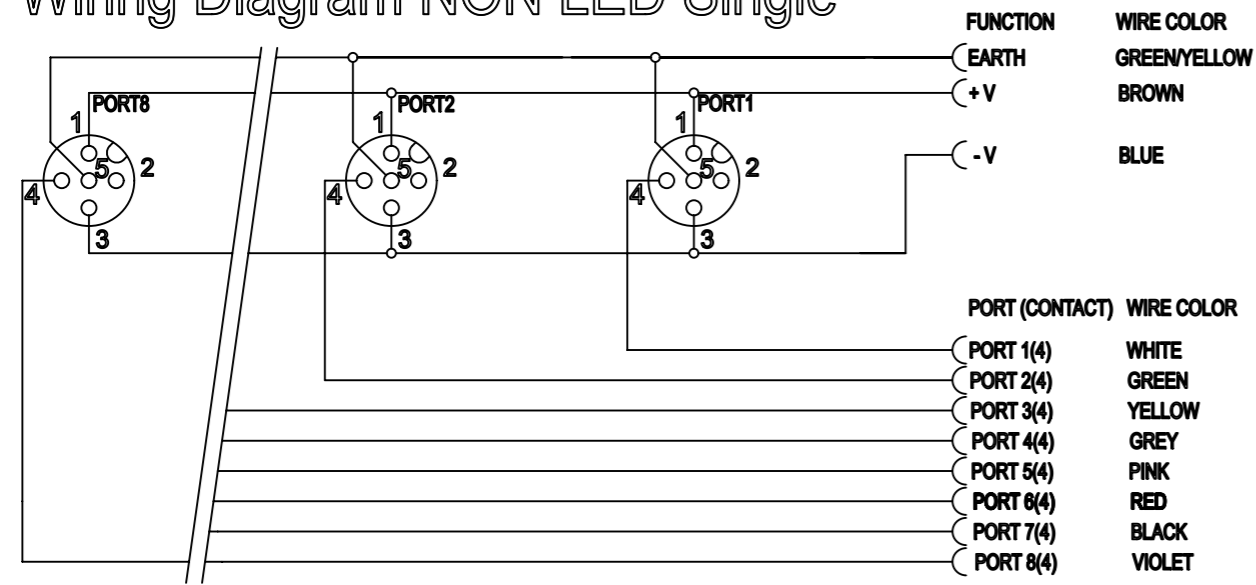
**molex**

MPIS M12 PNP NPN NOS 4P 8PT AC FE STR BK XM STA SINGLE

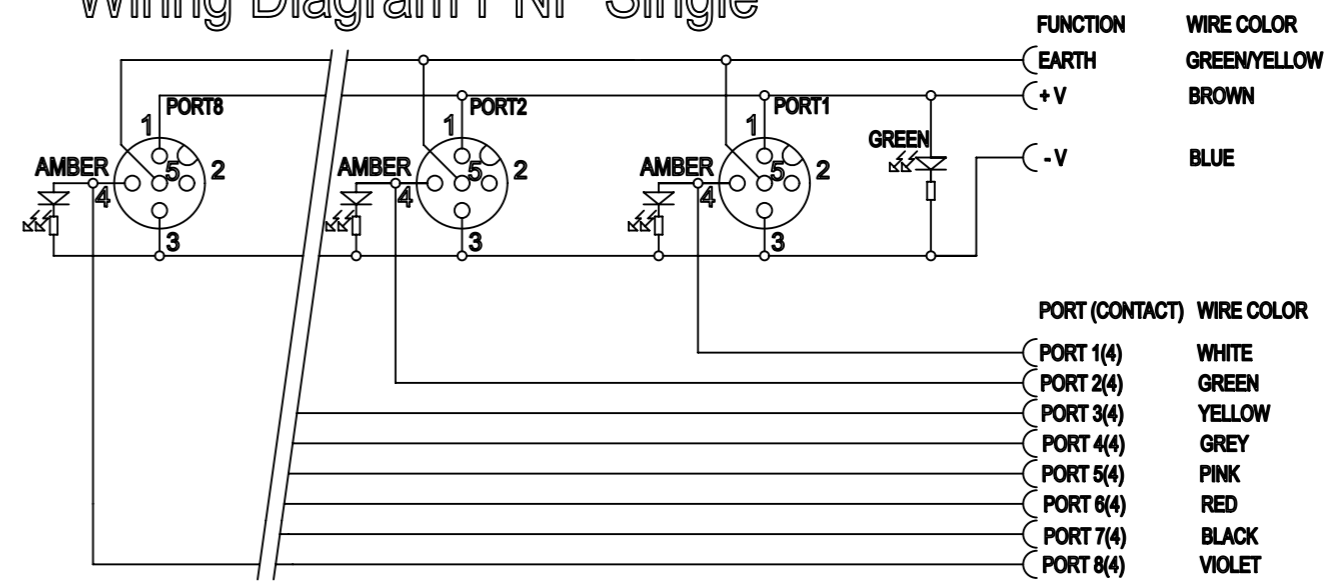
PRODUCT CUSTOMER DRAWING

DOCUMENT NUMBER: 1202480019  
 DOC TYPE: PSD  
 DOC PART: 000  
 REVISION: B

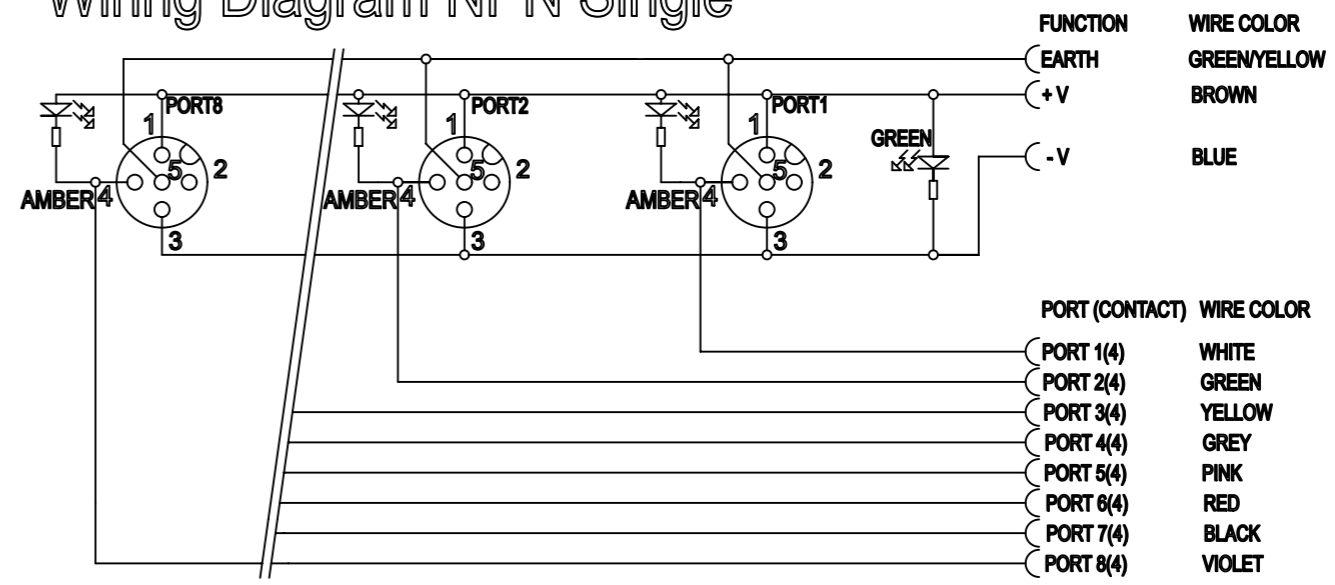
# Wiring Diagram NON LED Single



# Wiring Diagram PNP Single



# Wiring Diagram NPN Single



<b>SYMBOLS</b> DIMENSION UNITS: mm SCALE: 1:1 GENERAL TOLERANCES (UNLESS SPECIFIED): ANGULAR TOL: ± 0° 4 PLACES: ± 0.1 3 PLACES: ± 0.2 2 PLACES: ± 0.5 1 PLACE: ± 1.0 0 PLACES: ± 0.25 DRAFT WHERE APPLICABLE MUST REMAIN WITHIN DIMENSIONS THIRD ANGLE PROJECTION	THIS DRAWING CONTAINS INFORMATION THAT IS PROPRIETARY TO MOLEX ELECTRONIC TECHNOLOGIES, LLC AND SHOULD NOT BE USED WITHOUT WRITTEN PERMISSION CURRENT REV DESC: LASER PRINTING ADDED			
	EC NO: 606042 DRWN: ULETTENMEIER 2018/08/15 CHK'D: RSILLER 2018/10/18 APPR: RSILLER 2018/10/18			
	INITIAL REVISION: DRWN: AAHLERS 2015/04/01 APPR: RSILLER 2015/05/20		PRODUCT CUSTOMER DRAWING	
	DOCUMENT NUMBER: 1202480019 DOC TYPE: PSD DOC PART: 000 REVISION: B		SHEET NUMBER: 2 OF 2	

## X-ON Electronics

Largest Supplier of Electrical and Electronic Components

*Click to view similar products for [Sensor Cables / Actuator Cables](#) category:*

*Click to view products by [Molex](#) manufacturer:*

Other Similar products are found below :

[1300070444](#) [43-10984](#) [M83513/19-F01CP](#) [704000D02F120](#) [MDM15SH001K](#) [MDM25PH003BF222](#) [802027107404-1](#) [885030A09M010](#)  
[885030A09M020](#) [1200650174](#) [1200651332](#) [1200651713](#) [1200660171](#) [1200660208](#) [1200660343](#) [1200660804](#) [1200660845](#) [1200660926](#)  
[1200660977](#) [1200661173](#) [1200661354](#) [120066-1712](#) [1200720053](#) [1200720099](#) [1200720153](#) [1200720172](#) [1200720217](#) [1200720226](#)  
[1200720251](#) [1200720285](#) [1200720296](#) [1200720404](#) [1200730148](#) [1200730378](#) [1200800231](#) [1200860112](#) [1200860121](#) [1200860125](#)  
[1200860337](#) [1200860365](#) [1200860420](#) [1200870046](#) [1200870248](#) [1200980102](#) [1200660181](#) [1200660183](#) [1200660827](#) [1200660849](#)  
[1200661170](#) [1200661295](#)