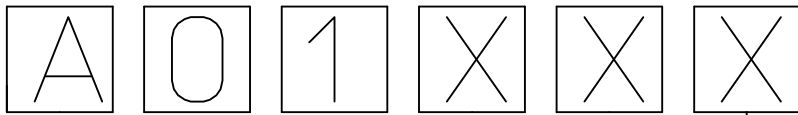


A01 - ADAPTOR FOR DIN MICRO



INTERNAL CIRCUIT

VOLTAGE AND LED COLOUR:

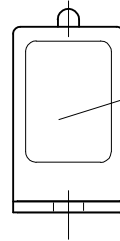
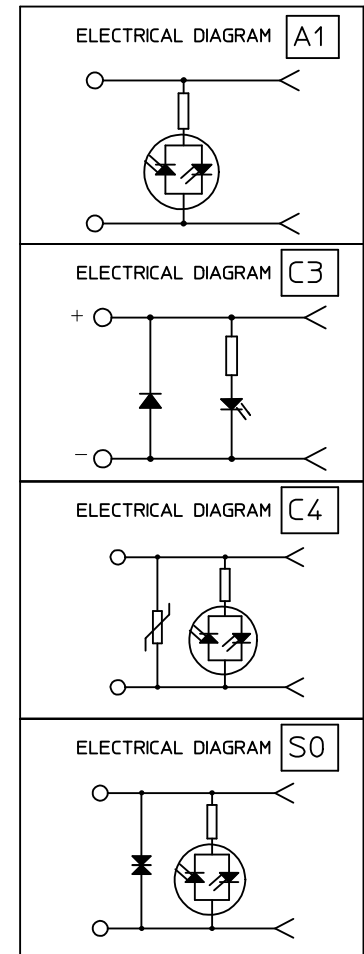
| | | |
|---------|---------|---------|
| 1= 12V | A= 12V | G= 12V |
| 2= 24V | B= 24V | H= 24V |
| 3= 48V | C= 48V | K= 48V |
| 4= 115V | D= 115V | L= 115V |
| 5= 230V | E= 230V | M= 230V |

RED LED GREEN LED YELLOW LED

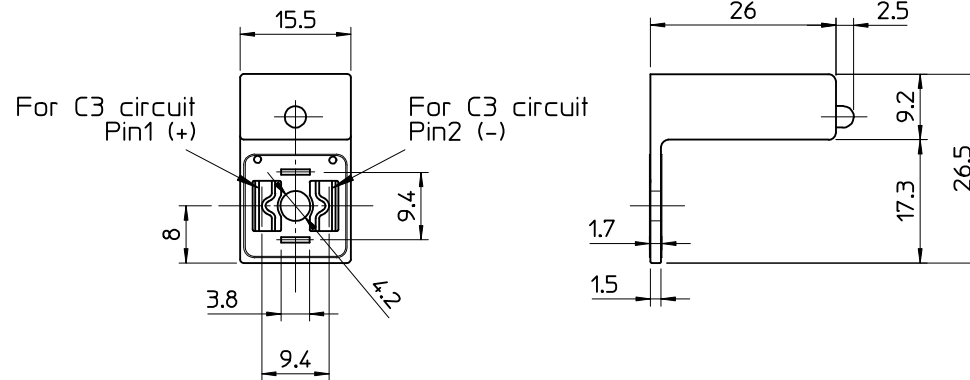
Chart 1

| Engineering number | SAP Part Number | Circuit type | LED Color |
|--------------------|-----------------|--------------|-----------|
| A01A1H | 1210010008 | A1 24V | Yellow |
| A01A1L | 1210010421 | A1 115V | Yellow |
| A01C3H | 1210010014 | C3 24V | Yellow |
| A01C3L | 1210010431 | C3 115V | Yellow |
| A01C42 | 1210010016 | C4 24V | Red |
| A01C44 | 1210010018 | C4 115V | Red |
| A01C45 | 1210010436 | C4 230V | Red |
| A01C4B | 1210010020 | C4 24V | Green |
| A01C4H | 1210010024 | C4 24V | Yellow |
| A01C4L | 1210010025 | C4 115V | Yellow |
| A01C4M | 1210010406 | C4 230V | Yellow |
| A01S0H | 1210010405 | S0 24V | Yellow |

Wiring configuration



CIRCUIT TAMOPRINT (WHITE)



| | | | | | | | | |
|---|-------------------------------|---------------------------------------|-------|----------------------------|--|------------------------|---|--|
| ORIGINAL RELEASE EC NO: IPG2013-1225 DRWN: JMARSZALEK 2013/02/08 CHKD: MSZWAJKOWSKI 2013/02/08 APPR: MIWASIECZKO 2013/02/12 | QUALITY SYMBOLS ▽=0 ◻=0 | GENERAL TOLERANCES (UNLESS SPECIFIED) | | DIMENSION STYLE MM ONLY | SCALE - | DESIGN UNITS METRIC | FIRST ANGLE PROJECTION | |
| | | | mm | INCH | DRAWN BY DATE JMARSZALEK 2013/02/08 | | | |
| | | 4 PLACES | ± --- | ± --- | CHECKED BY DATE MSZWAJKOWSKI 2013/02/08 | | | |
| | | 3 PLACES | ± --- | ± --- | APPROVED BY DATE MIWASIECZKO 2013/02/12 | | | |
| | | | | | TITLE LIGHT ADAPTORS SERIES A01XXX | | | |
| | | | | | DOCUMENT NO. SD-121001-001 | | SHEET NO. 1 OF 1 | |
| | | | | | SIZE A4 | | THIS DRAWING CONTAINS INFORMATION THAT IS PROPRIETARY TO MOLEX INCORPORATED AND SHOULD NOT BE USED WITHOUT WRITTEN PERMISSION | |

X-ON Electronics

Largest Supplier of Electrical and Electronic Components

Click to view similar products for [Circular DIN Connectors](#) category:

Click to view products by [Molex](#) manufacturer:

Other Similar products are found below :

[60KD4M](#) [CTVP00RW-19-32S\(506\)](#) [M83723/76W22326](#) [M83723/78R22327](#) [D38999/26FE99SN L/C](#) [7547401103P](#) [75-474014-07L](#) [88-559975-75P](#) [8R3006A18M0033](#) [PT02E1283P](#) [GTC00G-24-7S](#) [PT05A-14-5SX](#) [PT05A1832SW](#) [PT05E2255PW](#) [PT05SE1832SWLC](#) [PT05SE1832SYLC](#) [GTC030-20-27PW-LC](#) [GTC030A-20-33S](#) [PT06SE1811SXLC](#) [1211290078](#) [1211810025](#) [1210120122](#) [ACC06AF-20-23P\(003\)](#) [1210503216](#) [1211290084](#) [1211500027](#) [ACS06AF-16-10P\(003\)](#) [D38999/40FB35AN](#) [D38999/40FB35BB](#) [D38999/40WB35BN](#) [D38999/40WD35PN](#) [D38999/40WJ29SN-L/C](#) [D38999/40WJ4BN](#) [D38999/42FB35BN](#) [D38999/42WB35AB](#) [D38999/42WB35PB-L/C](#) [D38999/42WJ19AN](#) [D38999/42WJ24PN-L/C](#) [D38999/44WB35AN](#) [D38999/44WD35BN](#) [D38999/44WH21AN](#) [D38999/44WH35AN](#) [D38999/44WJ29BA](#) [D38999/44WJ35PN](#) [D38999/44WJ61BA](#) [D38999/46FB35AC](#) [D38999/46FB35BN](#) [D38999/46FB35SA-L/C](#) [D38999/46FB99BA](#) [D38999/46FB99BN](#)