

B212100N2**

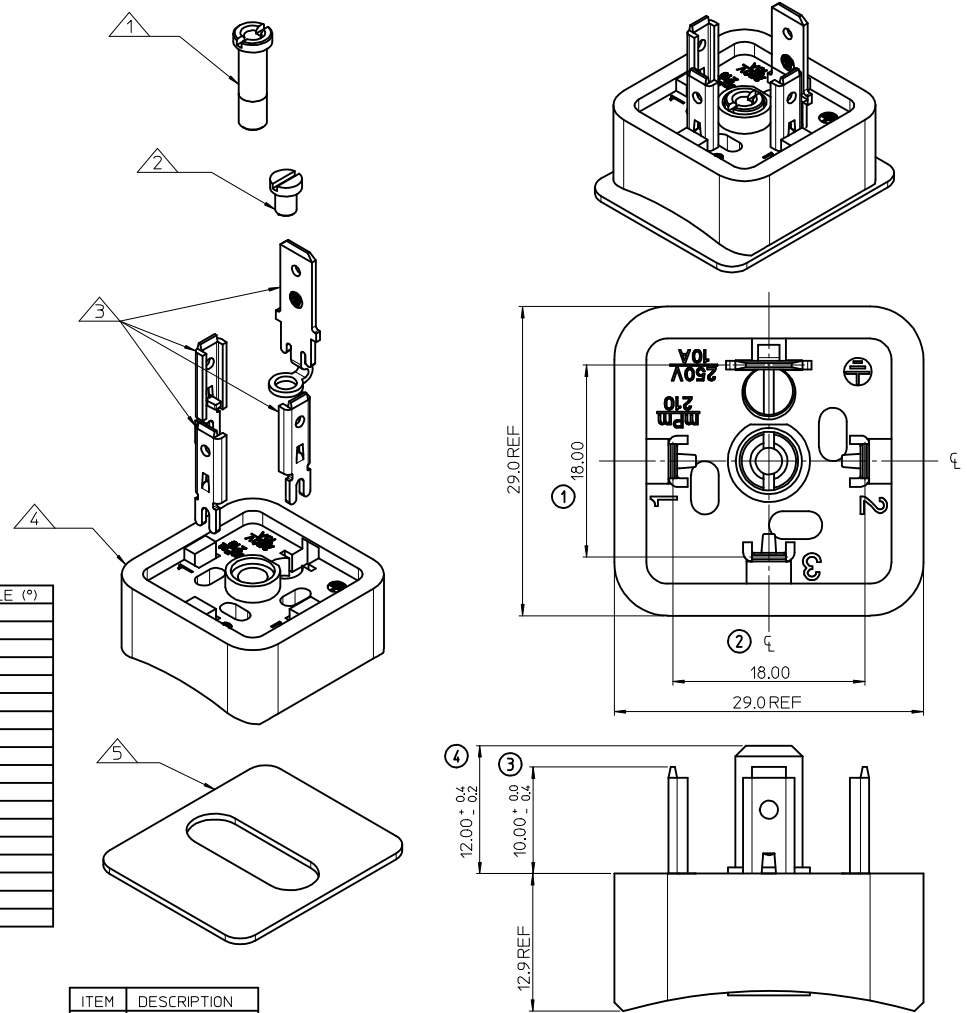
SERIES _____
 B21= FORM A _____
 POLES _____
 2= 2 POLE & 3= 3 POLE _____
 CURVED BASE DIAMETER _____
 040= Ø40, 045= Ø45, 050= Ø50, 060= Ø60, 080= Ø80, 100= Ø100, 160= Ø160,
 MATERIAL AND HOUSING COLOUR _____
 G= PA6 GRAY, N= PA6 BLACK, W= PA6 BLACK V0, T= TRANSPARENT _____
 SCREW AND GASKET _____
 2= NBR FLAT GASKET & SCREWS _____
 4= SILICON FLAT GASKET & SCREWS _____
 NON STANDARD COMPONENTS _____
 SA= UL LISTED _____

NOTES

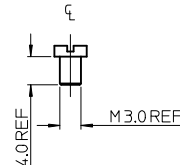
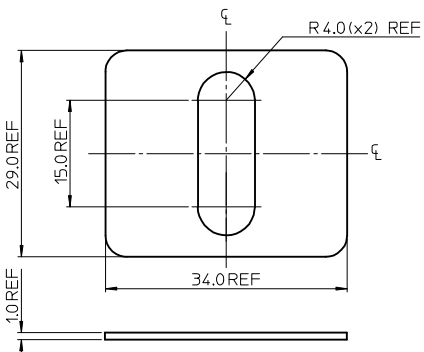
- PLEASE SEE TABLE FOR CURRENTLY CONFIGURED PART NUMBERS.
FOR SPECIFIC PART NUMBERS PLEASE CONTACT SALES OR CONSULT THE INTELLIGENT PART NUMBERS IN THE TABLE ATTACHED.
- FOR PACKAGING SEE PACKAGING SPEC PK-121013-B21
- PRODUCT SPEC: SEE PS-121201-001
- TERMINALS BENT AFTER INSERTION FOR BEND ANGLE SEE TABLE

LAST INSPECTION NUMBER 4

PART No.	mPm PART No.	DESCRIPTION	TERMINAL BEND ANGLE (°)
1210120025	B212040N2	TYPE A 2P BLACK, Ø40 NBR FLAT GASKET & SCREWS	180
1210120027	B212045N4	TYPE A 2P BLACK, Ø45 SILICON FLAT GASKET & SCREWS	180
1210120029	B212060N2	TYPE A 2P BLACK, Ø60 NBR FLAT GASKET & SCREWS	180
1210120030	B212060N4	TYPE A 2P BLACK, Ø60 SILICON FLAT GASKET & SCREWS	180
1210120032	B212080N2	TYPE A 2P BLACK, Ø80 NBR FLAT GASKET & SCREWS	180
1210120026	B212045N2	TYPE A 2P BLACK, Ø45 NBR FLAT GASKET & SCREWS	180
1210120028	B212050N2	TYPE A 2P BLACK, Ø50 NBR FLAT GASKET & SCREWS	180
1210120045	B213160N2	TYPE A 3P BLACK, Ø160 NBR FLAT GASKET & SCREWS	180
1210120042	B213060N2	TYPE A 3P BLACK, Ø60 NBR FLAT GASKET & SCREWS	180
1210120040	B213050N2	TYPE A 3P BLACK, Ø50 NBR FLAT GASKET & SCREWS	180
1210120033	B212080N4	TYPE A 2P BLACK, Ø80 SILICON FLAT GASKET & SCREWS	180
1210120034	B212100N2	TYPE A 2P BLACK, Ø100 NBR FLAT GASKET & SCREWS	180
1210120036	B212160N2	TYPE A 2P BLACK, Ø160 NBR FLAT GASKET & SCREWS	180
1210120037	B213040N2	TYPE A 3P BLACK, Ø40 NBR FLAT GASKET & SCREWS	180
1210120044	B213100N2	TYPE A 3P BLACK, Ø100 NBR FLAT GASKET & SCREWS	180
1210120141	B212050N4	TYPE A 2P BLACK, Ø50 SILICON FLAT GASKET & SCREWS	180
1210120149	B212160N4	TYPE A 2P BLACK, Ø160 SILICON FLAT GASKET & SCREWS	180
1210120183	B212050W2SA	TYPE A 2P BLACK, Ø50 NBR FLAT GASKET & SCREWS, UL LISTED	180



ITEM	DESCRIPTION
1	INSERT
2	EARTH SCREW
3	TERMINALS
4	HOUSING
5	GASKET



ADDED PART NUMBER EC NO: IFC2014-1836 DRW: NSHEA 2014/04/22 CHKD: SMCREVEY 2014/04/23 APPR: STIGLITFIN 2014/05/06	DESCRIPTION GENERAL TOLERANCES (UNLESS SPECIFIED) <table border="1"> <thead> <tr> <th>SYMBOL</th> <th>mm</th> <th>INCH</th> </tr> </thead> <tbody> <tr><td>▽=0</td><td>±---</td><td>±---</td></tr> <tr><td>▽=0.1</td><td>±0.1</td><td>±---</td></tr> <tr><td>▽=0.2</td><td>±0.2</td><td>±---</td></tr> <tr><td>ANGULAR</td><td>±---</td><td>°</td></tr> </tbody> </table>	SYMBOL	mm	INCH	▽=0	±---	±---	▽=0.1	±0.1	±---	▽=0.2	±0.2	±---	ANGULAR	±---	°	DIMENSION STYLE MM ONLY	SCALE 3:1	DESIGN UNITS METRIC	THIRD ANGLE PROJECTION
		SYMBOL	mm	INCH																
▽=0	±---	±---																		
▽=0.1	±0.1	±---																		
▽=0.2	±0.2	±---																		
ANGULAR	±---	°																		
DRAFT WHERE APPLICABLE MUST REMAIN WITHIN DIMENSIONS	DRAWN BY JOCONNOR 2011/06/22 CHECKED BY DMAHER 2011/06/22 APPROVED BY EFOLAN 2011/07/12	TITLE B21 SERIES BASE	MOLEX INCORPORATED MATERIAL NO. SD-121012-004 DOCUMENT NO.																	
SIZE A2	THIS DRAWING CONTAINS INFORMATION THAT IS PROPRIETARY TO MOLEX INCORPORATED AND SHOULD NOT BE USED WITHOUT WRITTEN PERMISSION																			

X-ON Electronics

Largest Supplier of Electrical and Electronic Components

Click to view similar products for [Circular DIN Connectors](#) category:

Click to view products by [Molex](#) manufacturer:

Other Similar products are found below :

[M83723/76W22326](#) [M83723/78R22327](#) [D38999/26FE99SN L/C](#) [75-069228-21J](#) [7519021610P](#) [75-190224-28S](#) [75-474014-07L](#)
[803000A09M040](#) [FGG.1K.314.CLAK75](#) [FGG.3B.304.CYZD62](#) [FGJ.0B.306.CLLD42Z](#) [FRCIR030FP-28-21S](#) [FRCIR030RFP-40A-38P-F80](#)
[FRCIR06F-20-15S-F80](#) [FRCIR06F-40A-38S-F80](#) [FRCIR06R-14S-6S](#) [FRCIR06R-20-27S](#) [FRCIR08R-20-7S](#) [88-569735-06P](#) [88-569769-19P](#)
[88-569785-06I](#) [8R3006A18M0033](#) [GTC00G-24-7S](#) [PT05A-14-18SW\(023\)](#) [PT05A-14-5SX](#) [PT05A1832SW](#) [PT05A2041SX](#)
[GTC030-20-27PW-LC](#) [GTC030A-20-33S](#) [GTC06R20-22P-025-LC](#) [1211290078](#) [1211810025](#) [ACC06AF-20-23P\(003\)](#) [1210503216](#)
[1211500027](#) [ACS06AF-16-10P\(003\)](#) [D38999/40FB35AN](#) [D38999/40WD35PN](#) [D38999/40WD5AN](#) [D38999/42WB35AB](#)
[D38999/42WB35PB-L/C](#) [D3899942WF35AN](#) [D38999/44WH21AN](#) [D38999/44WH35AN](#) [D38999/44WJ35PN](#) [12DL6MX](#) [AFD57-22-12S-](#)
[6141](#) [MS2518324-22S](#) [MS3100F2018SY](#) [MS3100R20-18S](#)