

B212100N2**

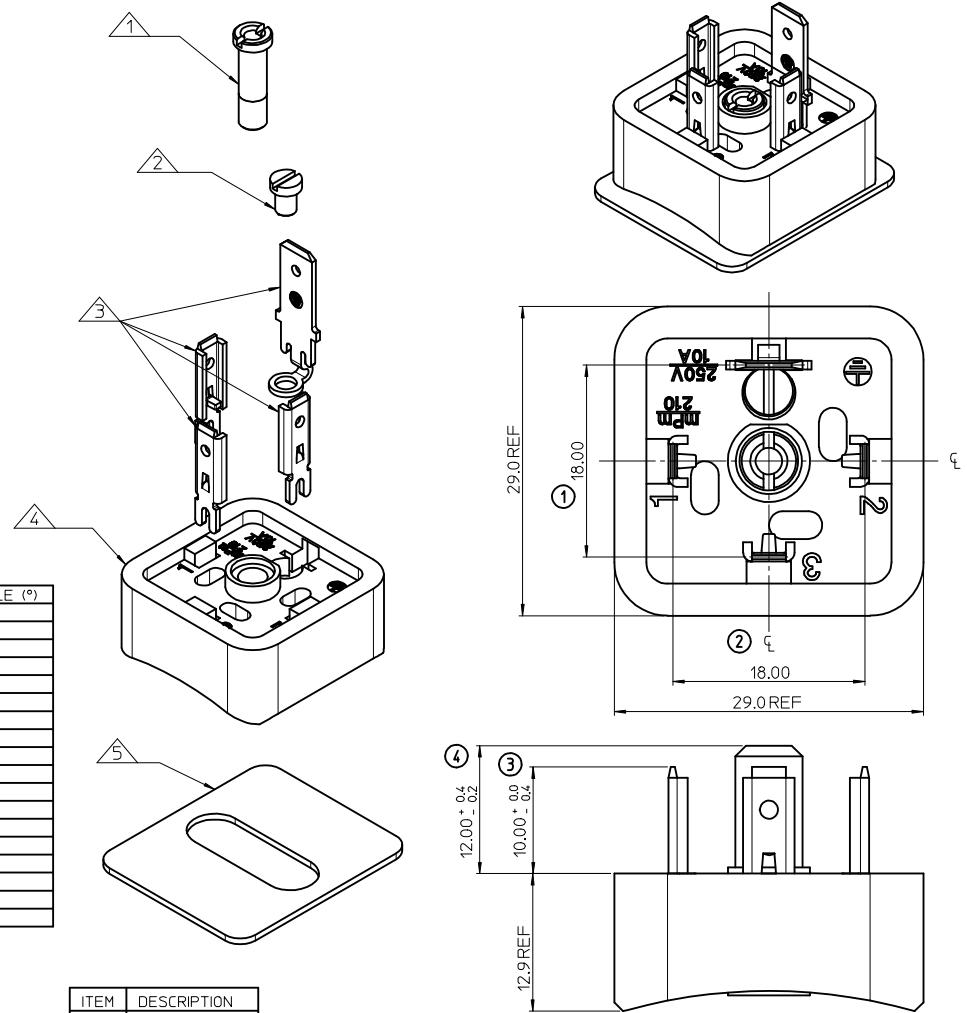
SERIES _____
 B21= FORM A
 POLES _____
 2= 2 POLE & 3= 3 POLE
 CURVED BASE DIAMETER _____
 040= Ø40, 045= Ø45, 050= Ø50, 060= Ø60, 080= Ø80, 100= Ø100, 160= Ø160,
 MATERIAL AND HOUSING COLOUR _____
 G= PA6 GRAY, N= PA6 BLACK, W= PA6 BLACK V0, T= TRANSPARENT
 SCREW AND GASKET _____
 2= NBR FLAT GASKET & SCREWS
 4= SILICON FLAT GASKET & SCREWS
 NON STANDARD COMPONENTS _____
 SA= UL LISTED

NOTES

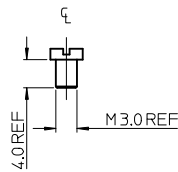
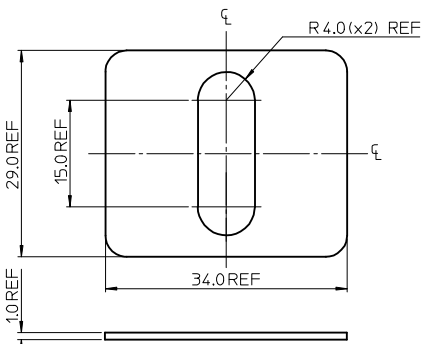
- PLEASE SEE TABLE FOR CURRENTLY CONFIGURED PART NUMBERS.
FOR SPECIFIC PART NUMBERS PLEASE CONTACT SALES OR CONSULT THE INTELLIGENT PART NUMBERS IN THE TABLE ATTACHED.
- FOR PACKAGING SEE PACKAGING SPEC PK-121013-B21
- PRODUCT SPEC: SEE PS-121201-001
- TERMINALS BENT AFTER INSERTION FOR BEND ANGLE SEE TABLE

LAST INSPECTION NUMBER 4

PART No.	mPm PART No.	DESCRIPTION	TERMINAL BEND ANGLE (°)
1210120025	B212040N2	TYPE A 2P BLACK, Ø40 NBR FLAT GASKET & SCREWS	180
1210120027	B212045N4	TYPE A 2P BLACK, Ø45 SILICON FLAT GASKET & SCREWS	180
1210120029	B212060N2	TYPE A 2P BLACK, Ø60 NBR FLAT GASKET & SCREWS	180
1210120030	B212060N4	TYPE A 2P BLACK, Ø60 SILICON FLAT GASKET & SCREWS	180
1210120032	B212080N2	TYPE A 2P BLACK, Ø80 NBR FLAT GASKET & SCREWS	180
1210120026	B212045N2	TYPE A 2P BLACK, Ø45 NBR FLAT GASKET & SCREWS	180
1210120028	B212050N2	TYPE A 2P BLACK, Ø50 NBR FLAT GASKET & SCREWS	180
1210120045	B213160N2	TYPE A 3P BLACK, Ø160 NBR FLAT GASKET & SCREWS	180
1210120042	B213060N2	TYPE A 3P BLACK, Ø60 NBR FLAT GASKET & SCREWS	180
1210120040	B213050N2	TYPE A 3P BLACK, Ø50 NBR FLAT GASKET & SCREWS	180
1210120033	B212080N4	TYPE A 2P BLACK, Ø80 SILICON FLAT GASKET & SCREWS	180
1210120034	B212100N2	TYPE A 2P BLACK, Ø100 NBR FLAT GASKET & SCREWS	180
1210120036	B212160N2	TYPE A 2P BLACK, Ø160 NBR FLAT GASKET & SCREWS	180
1210120037	B213040N2	TYPE A 3P BLACK, Ø40 NBR FLAT GASKET & SCREWS	180
1210120044	B213100N2	TYPE A 3P BLACK, Ø100 NBR FLAT GASKET & SCREWS	180
1210120141	B212050N4	TYPE A 2P BLACK, Ø50 SILICON FLAT GASKET & SCREWS	180
1210120149	B212160N4	TYPE A 2P BLACK, Ø160 SILICON FLAT GASKET & SCREWS	180
1210120183	B212050W2SA	TYPE A 2P BLACK, Ø50 NBR FLAT GASKET & SCREWS, UL LISTED	180



ITEM	DESCRIPTION
1	INSERT
2	EARTH SCREW
3	TERMINALS
4	HOUSING
5	GASKET



ADDED PART NUMBER EC NO: IFC2014-1836 DRW: NSHEA 2014/04/22 CHKD: SMCREVEY 2014/04/23 APPR: STIGLFFIN 2014/05/06	DESCRIPTION GENERAL TOLERANCES (UNLESS SPECIFIED) mm INCH 4 PLACES ± --- ± --- 3 PLACES ± --- ± --- 2 PLACES ± 0.1 ± --- 1 PLACE ± 0.2 ± --- ANGULAR ± ---° DRAFT WHERE APPLICABLE MUST REMAIN WITHIN DIMENSIONS	DIMENSION STYLE MM ONLY	SCALE 3:1	DESIGN UNITS METRIC	THIRD ANGLE PROJECTION
		DRAWN BY JOCONNOR CHECKED BY DMAHER APPROVED BY EFOLAN	DATE 2011/06/22 DATE 2011/06/22 DATE 2011/07/12	TITLE B21 SERIES BASE	MOLEX INCORPORATED

THIS DRAWING CONTAINS INFORMATION THAT IS PROPRIETARY TO MOLEX INCORPORATED AND SHOULD NOT BE USED WITHOUT WRITTEN PERMISSION

X-ON Electronics

Largest Supplier of Electrical and Electronic Components

Click to view similar products for [Circular DIN Connectors](#) category:

Click to view products by [Molex](#) manufacturer:

Other Similar products are found below :

[CTV06RQF-25-8SA-LC](#) [CTV06RQF-25-8S-LC](#) [CTV06RQW-25-8SB-LC](#) [CTV06RW-25-20P](#) [CTV06RW-25-20PA](#) [CTV06RW-25-20PB](#)
[CTV06RW-25-20PE-LC](#) [CTV06RW-25-20SB](#) [CTV06RW-25-20SE](#) [CTV07RW-17-8S\(506\)](#) [CTVP00RW-19-32S\(506\)](#) [CTVP00RW-9-35S\(506\)](#) [M83723/71R20416](#) [M83723/71R22196](#) [M83723/71W2039N](#) [M83723/71W24196](#) [M83723/71W2419N](#) [M83723/72A1404N-LC](#)
[M83723/72R1203N](#) [M83723/72W20418](#) [M83723/72W22126](#) [M83723/72W22556](#) [M83723/72W2419N](#) [M83723/72W2461N](#)
[M83723/73R2028N](#) [M83723/73R2039N](#) [M83723/73W1412N](#) [M83723/73W2039N](#) [M83723/74R1624N](#) [M83723/74R1808N](#)
[M83723/74R2212N](#) [M83723/74W1203N](#) [M83723/74W1412N](#) [M83723/74W20416](#) [M83723/74W2041N](#) [M83723/75R10058](#)
[M83723/75W2232N](#) [M83723/76R14157](#) [M83723/76R20256](#) [M83723/76W1808N](#) [M83723/76W2016N](#) [M83723/76W2461N](#)
[M83723/77W2016N](#) [M83723/78R22327](#) [M83723/78W2212N](#) [M83723/78W22556](#) [M85049/50-5F](#) [D38999/20FF11AC](#) [D38999/20FJ20BB](#)
[D38999/20FJ20SC](#)