

B26 3 000 N 2 **

SERIES
B26= FORM A
POLES
2= 2 POLE & 3= 3 POLE
CURVED BASE DIAMETER
000= FLAT
MATERIAL AND HOUSING COLOUR
N= PA6 BLACK, W= PA6 BLACK V0, G= PA6 GRAY

SCREW AND GASKET
2 = NBR FLAT GASKET & SCREWS
4 = SILICON FLAT GASKET & SCREWS
G = NO GASKET, WITH SCREWS
9 = NO FIXING SCREW AND GASKET WITH SPECIAL TERMINAL

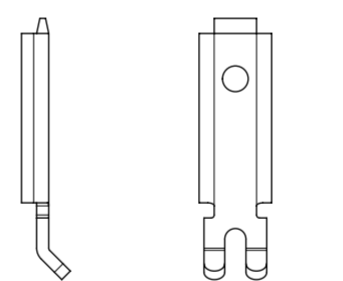
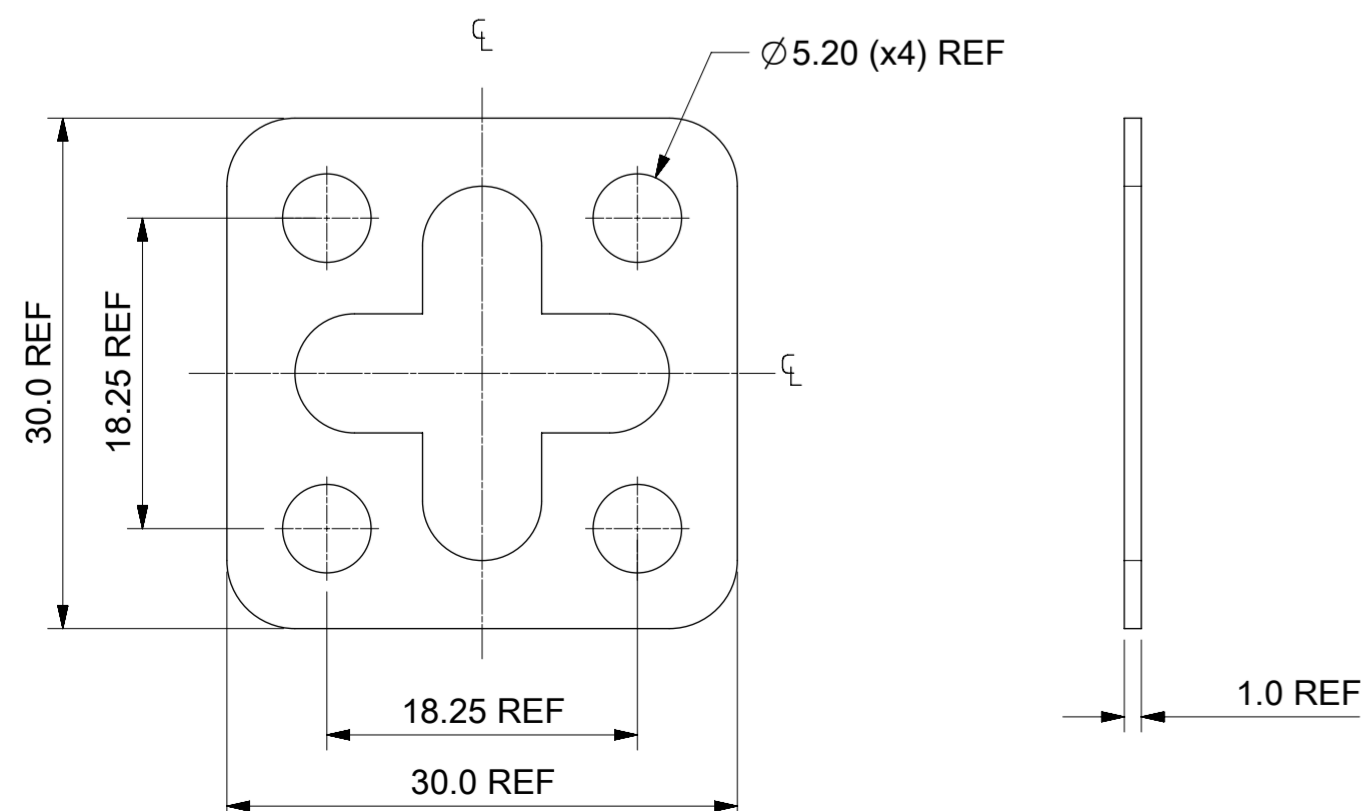
ADDITIONAL CODES
SA= UL AGENCY APPROVAL

PART NO	MPM NO	DESCRIPTION	TERMINAL BEND ANGLE
1210120071	B262000N2	TYPE A 2P BLACK, NBR FLAT GASKET & SCREWS	30
1210120073	B262000N4	TYPE A 2P BLACK, SILICON FLAT GASKET & SCREWS	30
1210120076	B263000N2	TYPE A 3P BLACK, NBR FLAT GASKET & SCREWS	45
1210120078	B263000N4	TYPE A 3P BLACK, SILICON FLAT GASKET & SCREWS	45
1210120080	B263000W2	TYPE A 3P BLACK V0, NBR FLAT GASKET & SCREWS	45
1210120150	B262000W2	TYPE A 2P BLACK V0, NBR FLAT GASKET & SCREWS	30
1210120151	B263000G2	TYPE A 3P GRAY, NBR FLAT GASKET & SCREWS	45
1210120163	B262000NG	TYPE A 2P BLACK, SCREWS, NO GASKET	30
1210120174	B262000W2SA	TYPE A 2P BLACK UL 94-V0, NBR FLAT GASKET & SCREWS	30
1210120175	B263000W2SA	TYPE A 3P BLACK UL 94-V0, NBR FLAT GASKET & SCREWS	45
1210120197	B263000W9SA	TYPE A 3P BLACK UL94-V0, NO GASKET, NO FIXING SCREW, SPECIAL TERMINAL	45

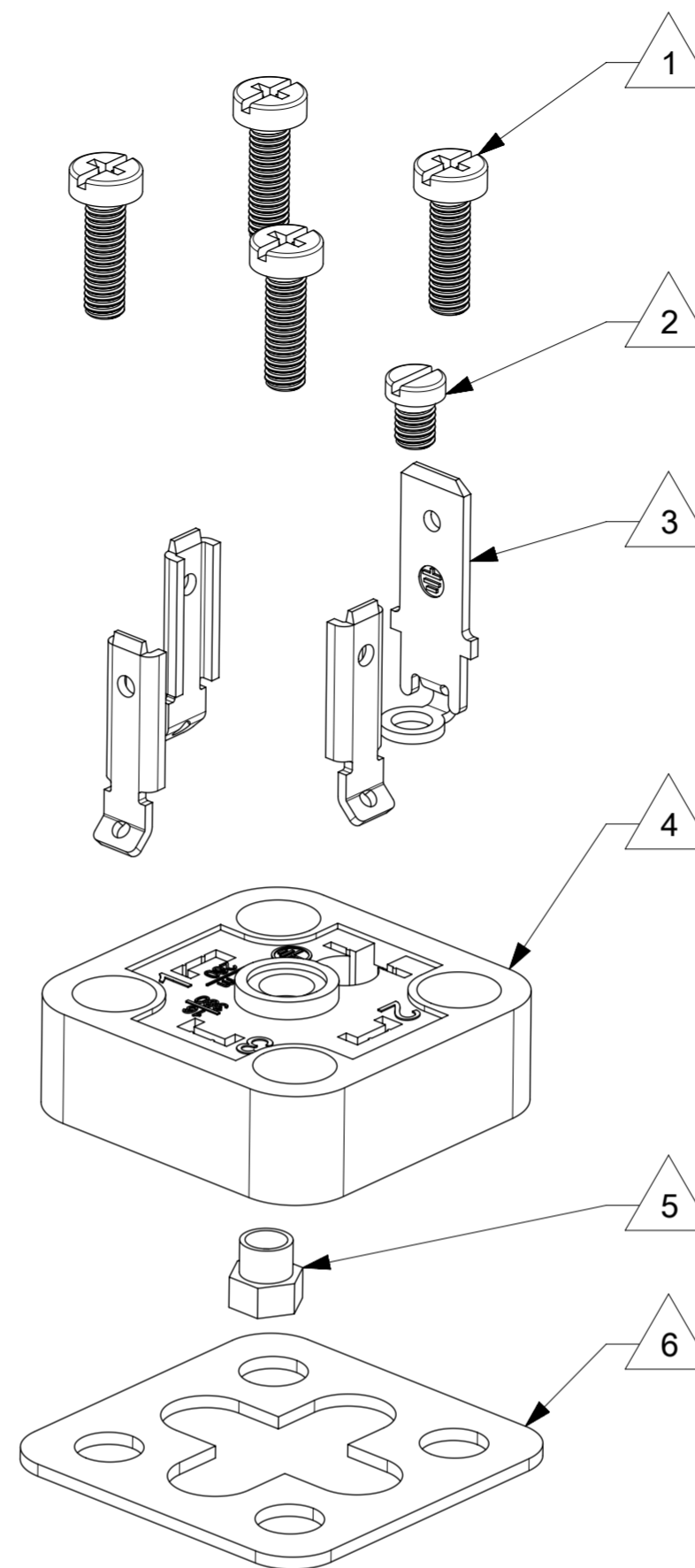
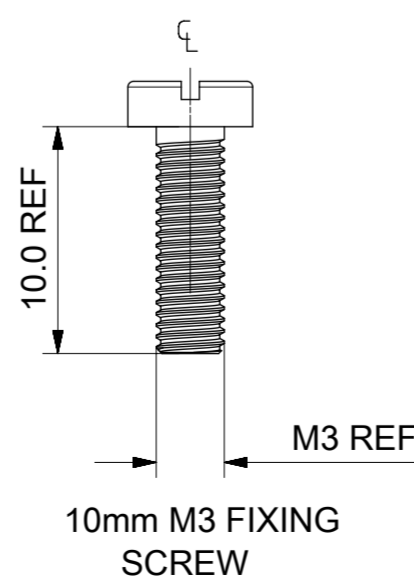
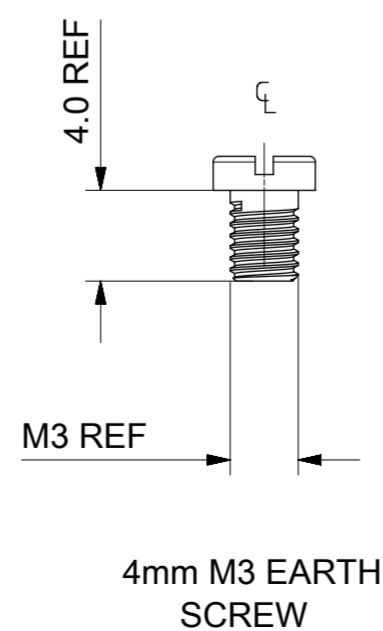
NOTES

- PLEASE SEE TABLE FOR CURRENTLY CONFIGURED PART NUMBERS. FOR SPECIFIC PART NUMBERS PLEASE CONTACT SALES OR CONSULT THE INTELLIGENT PART NUMBERS IN THE TABLE ATTACHED.
- FOR PACKAGING SEE PACKAGING SPEC PK-121012-B26
- PRODUCT SPEC: SEE PS-121201-001
- TERMINALS BENT AFTER INSERTION, SEE TABLE FOR BEND ANGLE

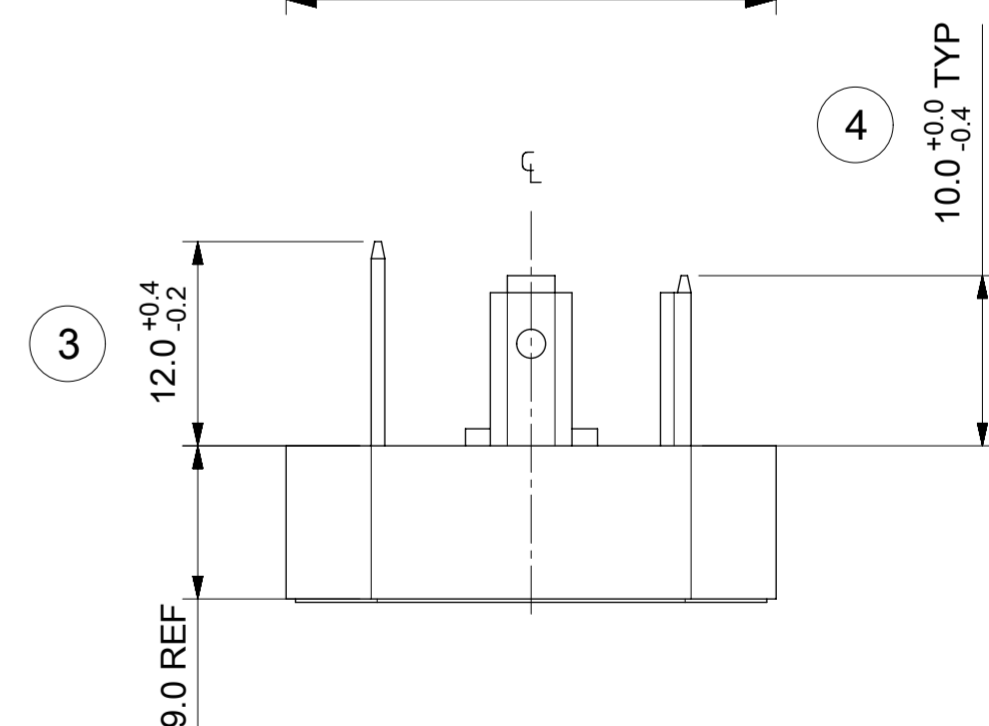
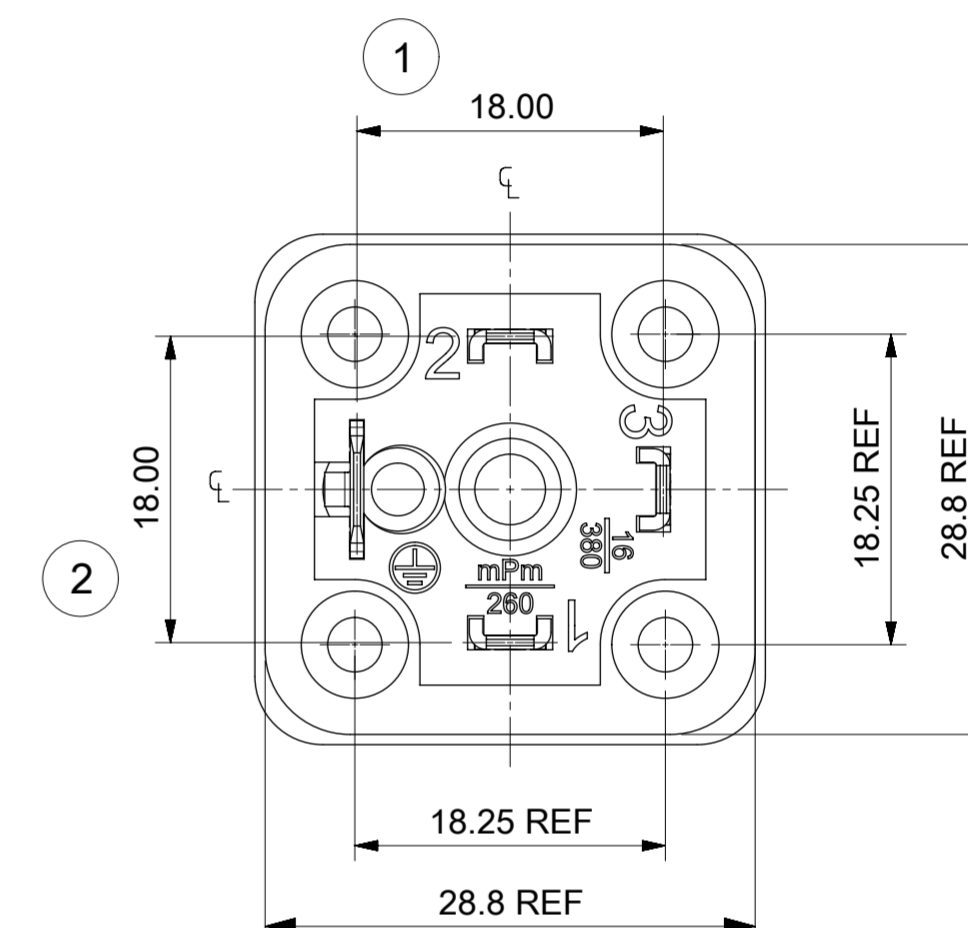
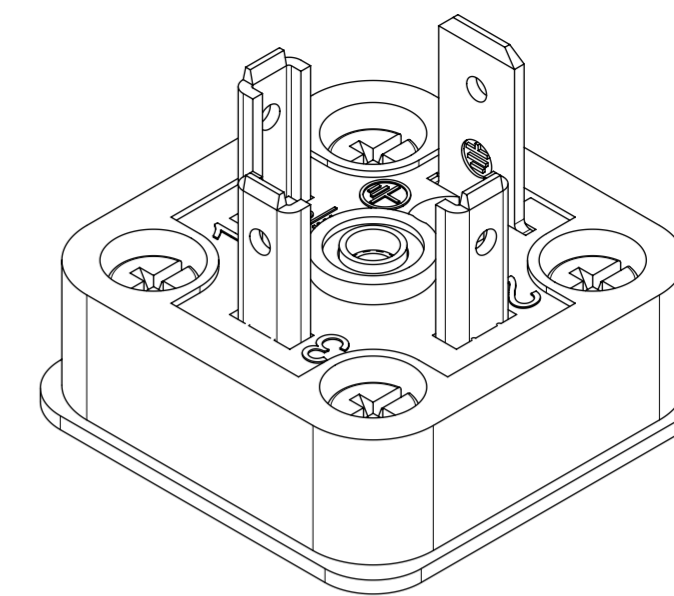
LAST INSPECTION NUMBER 4



SPECIAL TERMINAL
1211200021



ITEM	DESCRIPTION
1	FIXING SCREW
2	EARTH SCREWS
3	TERMINALS
4	HOUSING
5	INSERT
6	GASKET



QUALITY SYMBOLS	THIS DRAWING CONTAINS INFORMATION THAT IS PROPRIETARY TO MOLEX ELECTRONIC TECHNOLOGIES, LLC AND SHOULD NOT BE USED WITHOUT WRITTEN PERMISSION		GENERAL TOLERANCES (UNLESS SPECIFIED)		DIMENSION UNITS	SCALE	
▽ = 0	ADD OPTION EC NO: 108524 DRWN: TCLEARY CHKD: BCAFFREY APPR: DMAHER 2016/09/14 2016/12/20 2016/12/20	2016/09/14 2016/12/20 2016/12/20	MM		MM	SCALE	
▽ = 0			ANGULAR TOL ± 2.0 °		DRWN BY	DATE	DSHEA 2013/09/17
▽ = 0			4 PLACES ±		CHK'D BY	DATE	BCAFFREY 2016/12/20
▽ = 0			3 PLACES ±		APPR BY	DATE	STGRIFFIN 2013/10/23
▽ = 0			2 PLACES ± 0.1		PRODUCT CUSTOMER DRAWING		
▽ = 0			1 PLACE ± 0.2		SERIES	MATERIAL NUMBER	CUSTOMER
▽ = 0	0 PLACES ±		DRAFT WHERE APPLICABLE MUST REMAIN WITHIN DIMENSIONS		DRAWING SIZE	THIRD ANGLE PROJECTION	
▽ = 0	D		A2		DOCUMENT NUMBER SD-121012-002 DOC TYP PSD DOC PART 000 SHEET NUMBER 1 OF 1		

X-ON Electronics

Largest Supplier of Electrical and Electronic Components

Click to view similar products for [Standard Circular Connector](#) category:

Click to view products by [Molex](#) manufacturer:

Other Similar products are found below :

[C015](#) [10F006](#) [001](#) [1](#) [5M2530B10P](#) [600247N007](#) [600259N006](#) [600273N007](#) [600432N009](#) [6280-2PG-519](#) [6280-3PG-311](#) [6280-3SG-311](#)
[6280-7SG-3DC](#) [6280-7SG-522](#) [6282-5PG-311](#) [6282-6PG-519](#) [6282-8SG-311](#) [6283-11](#) [6283-15](#) [6290](#) [6293](#) [6382-2PG-311](#) [6382-2PG-3DC](#)
[6382-2SG-321](#) [6382-2SG-3DC](#) [6382-4SG-516](#) [67-03E20-37P](#) [681-PMG](#) [CXC3106A1811S](#) [CXS3102A14S2P](#) [CXS3102A181S](#)
[CXS3106A14S6S](#) [D38999/20FC8SA L/C](#) [MB12P-1](#) [MB12R-6](#) [7251-2PG-300](#) [7251-2SG-300](#) [7251-4PG-300](#) [7251-4SG-300](#) [7251-5PG-300](#)
[7251-5SG-300](#) [7251-6SG-300](#) [7251-7PG-300](#) [7251-8PG-300](#) [7271-6SG-300](#) [7282-3PG-300-CH3](#) [73000005663](#) [75-190011-03P](#) [75-190216-08S](#) [75-190218-10P](#) [75-214636-52P](#) [75-474118-10P](#) [75-474211-03P](#)