

**PLEASE CHECK WWW.MOLEX.COM FOR LATEST PART INFORMATION**

**Part Number:** [1210130199](#)  
**Status:** **Active**  
**Overview:** mPm DIN Valve Connectors  
**Description:** mPm DIN Base, Form A-18mm, B28 Base, 2 Pole Plus Ground Terminal, 250V AC/300V DC, Black, Nitrile Gasket with Screw, UL94-V0 Rated

**Documents:**

[Drawing \(PDF\)](#)      [Test Summary STR-1467-001 \(PDF\)](#)  
[Packaging Specification PK-121012-B28-001 \(PDF\)](#)      [RoHS Certificate of Compliance \(PDF\)](#)

**General**

Product Family	Field Attachable / Accessories
Series	<a href="#">121013</a>
Form	A - 18mm
IP Rating	IP65, IP67
Material - Contact	Brass
Overview	<a href="#">mPm DIN Valve Connectors</a>
Product Name	mPm
Type	Field Attachable Connector
UPC	78172503074

**Physical**

Cable Diameter	N/A
Coupling Type	N/A
Diagnostics / LEDs	No
Diagnostics Port	No
Gender	N/A
Keyway	None
Material - Connector Body	Polypropylene
Material - Coupling Nut	N/A
Material - Plating Mating	Silver
Orientation	Straight
Pitch - Mating Interface	18.00mm
Poles	2
Temperature Range - Operating	-40°C to +125°C
Wire Size AWG	N/A

**Electrical**

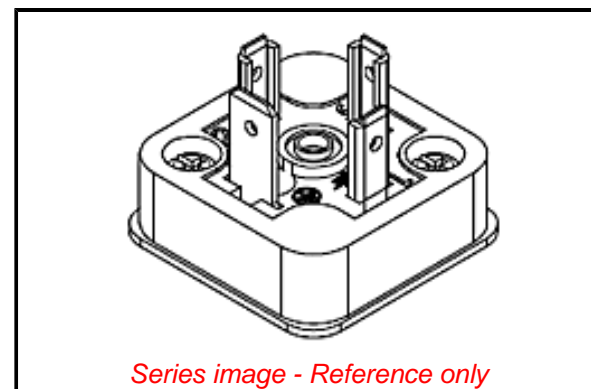
Current - Maximum per Contact	16.0A
Voltage - Maximum	250V AC / 300V DC

**Material Info**

Engineering Number	B282000W2SA
--------------------	-------------

**Reference - Drawing Numbers**

Packaging Specification	PK-121012-B28-001
Sales Drawing	SD-121012-003
Test Summary	STR-1467-001



*Series image - Reference only*

**EU ELV**

**Not Relevant**

**EU RoHS**

**Not Reviewed**

**REACH SVHC**

Not Reviewed

**Halogen-Free**

**Status**

**Not Reviewed**

For more information, please visit [Contact US](#)

China ROHS

Not Reviewed

ELV

Not Relevant

RoHS Phthalates

Not Reviewed

**China RoHS**

**Search Parts in this Series**

[121013 Series](#)

## X-ON Electronics

Largest Supplier of Electrical and Electronic Components

*Click to view similar products for [Circular DIN Connectors](#) category:*

*Click to view products by [Molex](#) manufacturer:*

Other Similar products are found below :

[60KD4M](#) [CTVP00RW-19-32S\(506\)](#) [M83723/76W22326](#) [M83723/78R22327](#) [D38999/26FE99SN L/C](#) [7547401103P](#) [75-474014-07L](#) [88-559975-75P](#) [8R3006A18M0033](#) [PT02E1283P](#) [GTC00G-24-7S](#) [PT05A-14-5SX](#) [PT05A1832SW](#) [PT05E2255PW](#) [PT05SE1832SWLC](#) [PT05SE1832SYLC](#) [GTC030-20-27PW-LC](#) [GTC030A-20-33S](#) [PT06SE1811SXLC](#) [1211290078](#) [1211810025](#) [1210120122](#) [ACC06AF-20-23P\(003\)](#) [1210503216](#) [1211290084](#) [1211500027](#) [ACS06AF-16-10P\(003\)](#) [D38999/40FB35AN](#) [D38999/40FB35BB](#) [D38999/40WB35BN](#) [D38999/40WD35PN](#) [D38999/40WJ29SN-L/C](#) [D38999/40WJ4BN](#) [D38999/42FB35BN](#) [D38999/42WB35AB](#) [D38999/42WB35PB-L/C](#) [D38999/42WJ19AN](#) [D38999/42WJ24PN-L/C](#) [D38999/44WB35AN](#) [D38999/44WD35BN](#) [D38999/44WH21AN](#) [D38999/44WH35AN](#) [D38999/44WJ29BA](#) [D38999/44WJ35PN](#) [D38999/44WJ61BA](#) [D38999/46FB35AC](#) [D38999/46FB35BN](#) [D38999/46FB35SA-L/C](#) [D38999/46FB99BA](#) [D38999/46FB99BN](#)