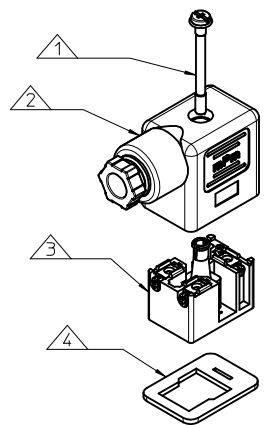
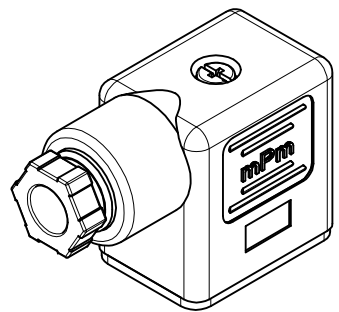


COVER DIMENSIONS FOR M20x15
AND 1/2" NPTF THREADED CONNECTORS



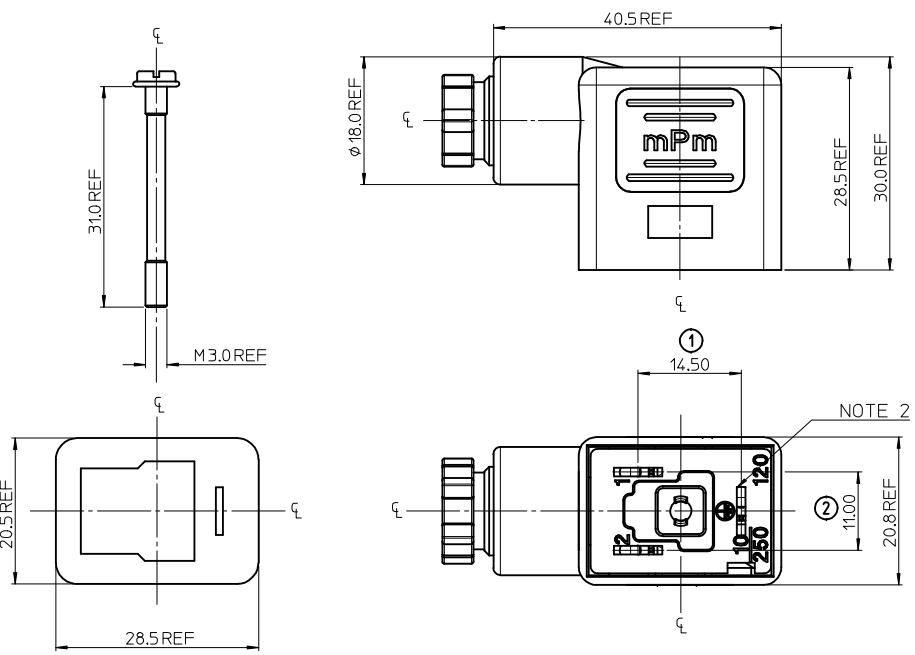
ITEM	DESCRIPTION
1	SCREW
2	COVER ASSEMBLY
3	INSERT ASSEMBLY
4	GASKET

C12207N22**

SERIES _____
 C12= INTERNAL THREAD FORM B INDUSTRIAL
 POLES _____
 2= 2 POLE
 THREAD SIZE _____
 07= PG7, 09= PG9, M2=M12x1.5, M6=M16x1.5, M0= M20x1.5, 13= 1/2" NPTF
 MATERIAL AND HOUSING COLOUR _____
 G= PA6 GRAY, N= PA6 BLACK, W= PA6 BLACK V0, T= TRANSPARENT
 GROUND POSITION _____
 0= UNMOUNTED, 2= H12, 6= H6

SCREW AND GASKET _____
 1= NBR PROFILE GASKET & SCREW
 2= NBR FLAT GASKET & SCREW
 3= WHITE SILICONE PROFILE GASKET & SCREW
 4= WHITE SILICONE FLAT GASKET & SCREW
 5= NBR PROFILE GASKET, NO SCREW
 6= NBR FLAT GASKET, NO SCREW
 A= NBR PROFILE GASKET & SCREW +2mm
 G= NO GASKET, STANDARD SCREW
 P= INTEGRATED NBR GASKET & IP67 SCREW ASSEMBLED

NON STANDARD COMPONENTS _____
 AF= WITH SCREW MOUNTED
 BS= FULLY UNMOUNTED
 P7= IP67 COMPLIANT
 2J= M3x31 INOX FIXING SCREW
 14= PACKED IN NEUTRAL BAG
 5A= SINGLE BAGGED
 SA= UL LISTED




NOTES
 1. PLEASE SEE SHEET 2 FOR CURRENTLY CONFIGURED PART NUMBERS.
 FOR SPECIFIC PART NUMBERS PLEASE CONTACT SALES OR CONSULT
 THE INTELLIGENT PART NUMBERS IN THE TABLE ATTACHED.
 2. EARTH POSITION SHOWN: H12
 3. PRODUCT SPEC: SEE PS-121201-001, WITH EXCEPTION.
 4. FOR PACKAGING SEE PACKAGING SPEC PK-121023-C12.
 5. PART NO 1210230107 SHOWN FOR ILLUSTRATION PURPOSES ONLY

LAST INSPECTION NUMBER 2

UPDATED NOTE 3 EC NO: IFC2015-1871 DRWN:BCAFFREY 2015/04/27 CHKD: APPR:STGRUFFIN 2015/05/13	QUALITY SYMBOLS ▽=0 ▽=0	GENERAL TOLERANCES (UNLESS SPECIFIED) <table border="1"> <thead> <tr> <th></th> <th>mm</th> <th>INCH</th> </tr> </thead> <tbody> <tr> <td>4 PLACES</td> <td>± .005</td> <td>± .0004</td> </tr> <tr> <td>3 PLACES</td> <td>± .005</td> <td>± .0004</td> </tr> <tr> <td>2 PLACES</td> <td>± 0.10</td> <td>± .004</td> </tr> <tr> <td>1 PLACE</td> <td>± 0.2</td> <td>± .008</td> </tr> <tr> <td colspan="2">ANGULAR</td> <td>± .005°</td> </tr> </tbody> </table>		mm	INCH	4 PLACES	± .005	± .0004	3 PLACES	± .005	± .0004	2 PLACES	± 0.10	± .004	1 PLACE	± 0.2	± .008	ANGULAR		± .005°	DIMENSION STYLE MM ONLY DRAWN BY DSHEA DATE 2011/05/19 CHECKED BY DMAHER DATE 2011/05/27 APPROVED BY EFOLAN DATE 2011/06/08	SCALE 2:1 DESIGN UNITS METRIC THIRD ANGLE PROJECTION	EM-121023-006 C12 SERIES INTERNAL THREAD
		mm	INCH																				
	4 PLACES	± .005	± .0004																				
	3 PLACES	± .005	± .0004																				
2 PLACES	± 0.10	± .004																					
1 PLACE	± 0.2	± .008																					
ANGULAR		± .005°																					
DRAFT WHERE APPLICABLE MUST REMAIN WITHIN DIMENSIONS	MATERIAL NO. SEE SHEET 2	DOCUMENT NO. SD-121023-006	SHEET NO. 1 OF 2																				
THIS DRAWING CONTAINS INFORMATION THAT IS PROPRIETARY TO MOLEX INCORPORATED AND SHOULD NOT BE USED WITHOUT WRITTEN PERMISSION																							

PART NO	mPm NO	DESCRIPTION
1210230101	C12207G21	TYPE B INDUSTRIAL 2P PG7 GRAY NBR PROFILE GASKET
1210230105	C12207N21	TYPE B INDUSTRIAL 2P PG7 BLACK NBR PROFILE GASKET
1210230107	C12207N22	TYPE B INDUSTRIAL 2P PG7 BLACK NBR FLAT GASKET
1210230108	C12207N24	TYPE B INDUSTRIAL 2P PG7 BLACK WHITE SILICON FLAT GASKET
1210230110	C12207N62	TYPE B INDUSTRIAL 2P PG7 BLACK NBR FLAT GASKET
1210230118	C12209G21	TYPE B INDUSTRIAL 2P PG9 GRAY NBR PROFILE GASKET
1210230122	C12209N21	TYPE B INDUSTRIAL 2P PG9 BLACK NBR PROFILE GASKET
1210230125	C12209N22	TYPE B INDUSTRIAL 2P PG9 BLACK NBR FLAT GASKET
1210230127	C12209N22AF	TYPE B INDUSTRIAL 2P PG9 BLACK NBR FLAT GASKET WITH SCREW MOUNTED
1210230128	C12209N23	TYPE B INDUSTRIAL 2P PG9 BLACK WHITE SILICON PROFILE GASKET
1210230129	C12209N24	TYPE B INDUSTRIAL 2P PG9 BLACK WHITE SILICON FLAT GASKET
1210230130	C12209N25	TYPE B INDUSTRIAL 2P PG9 BLACK NBR PROFILE GASKET, NO SCREW
1210230136	C12209N2A	TYPE B INDUSTRIAL 2P PG9 BLACK NBR PROFILE GASKET & SCREW +2mm
1210230137	C12209N2G	TYPE B INDUSTRIAL 2P PG9 BLACK NO GASKET, & STANDARD SCREW
1210230139	C12209N62	TYPE B INDUSTRIAL 2P PG9 BLACK NBR FLAT GASKET
1210230142	C12209T21	TYPE B INDUSTRIAL 2P PG9 TRANSPARENT NBR PROFILE GASKET
1210230150	C12209W21	TYPE B INDUSTRIAL 2P PG9 BLACK V0 NBR PROFILE GASKET
1210230162	C12213N21	TYPE B INDUSTRIAL 2P 1/2" NPTF BLACK NBR PROFILE GASKET
1210230650	C122M6N21	TYPE B INDUSTRIAL 2P M16x1.5 BLACK NBR PROFILE GASKET
1210230663	C122M0N21	TYPE B INDUSTRIAL 2P M20x1.5 BLACK NBR PROFILE GASKET
1210230671	C122M6N22	TYPE B INDUSTRIAL 2P M16x1.5 BLACK NBR FLAT GASKET
1210230676	C122M6N22AF	TYPE B INDUSTRIAL 2P M16x1.5 BLACK NBR FLAT GASKET WITH SCREW MOUNTED
1210230726	C12209N21BS	TYPE B INDUSTRIAL 2P PG9 BLACK NBR PROFILE GASKET FULLY UNMOUNTED
1210230738	C12209N21P7	TYPE B INDUSTRIAL 2P PG9 BLACK NBR PROFILE GASKET IP67 COMPLIANT
1210230812	C122M6N2P	TYPE B INDUSTRIAL 2P M16x1.5 BLACK INTEGRATED NBR GASKET & IP67 SCREW ASSEMBLED
1210230842	C12209N61	TYPE B INDUSTRIAL 2P PG9 BLACK NBR PROFILE GASKET
1210240032	C12207N212J	TYPE B INDUSTRIAL 2P PG7 BLACK NBR PROFILE GASKET M3x31 INOX FIXING SCREW
1210240056	C12209N212J	TYPE B INDUSTRIAL 2P PG9 BLACK NBR PROFILE GASKET M3x31 INOX FIXING SCREW
1210240062	C12209N215A	TYPE B INDUSTRIAL 2P PG9 BLACK NBR PROFILE GASKET SINGLE BAGGED 500 IN A BOX
1210240098	C12213N2114	TYPE B INDUSTRIAL 2P 1/2" NPTF BLACK NBR PROFILE GASKET IN NEUTRAL BAG
1210240501	C12209N2114	TYPE B INDUSTRIAL 2P PG9 BLACK NBR PROFILE GASKET IN NEUTRAL BAG
1210230850	C12213N62	TYPE B INDUSTRIAL 2P 1/2" NPTF BLACK NBR FLAT GASKET
1210230852	C122M6W21SA	TYPE B INDUSTRIAL 2P M16x1.5 BLACK V0 NBR PROFILE GASKET, UL LISTED, H12
1210230776	C122M6W62SA	TYPE B INDUSTRIAL 2P M16x1.5 BLACK V0, NBR FLAT GASKET, UL LISTED, H6

SEE SHEET 1 EC NO: IPG2015-1871 DRW:BCAFFREY 2015/04/27 CHK: [] APPR:STGRUFFIN 2015/05/13 REV	QUALITY SYMBOLS	GENERAL TOLERANCES (UNLESS SPECIFIED)	DIMENSION STYLE	SCALE	DESIGN UNITS	THIRD ANGLE PROJECTION
	$\nabla=0$ $\nabla=0$	mm INCH	MM ONLY	2:1	METRIC	
		4 PLACES ± --- ± ---	DRAWN BY DATE	TITLE C12 SERIES INTERNAL THREAD		
		3 PLACES ± --- ± ---	DSHEA 2011/05/19			
	2 PLACES ± 0.10 ± ---	CHECKED BY DATE	DOCUMENT NO. SD-121023-006			
	1 PLACE ± 0.2 ± ---	DMAHER 2011/05/27				
	ANGULAR ± ---°	APPROVED BY DATE	SHEET NO. 2 OF 2			
		EFOLAN 2011/06/08				
	DRAFT WHERE APPLICABLE MUST REMAIN WITHIN DIMENSIONS	MATERIAL NO.	 MOLEX INCORPORATED			
		SEE TABLE				
		SIZE	THIS DRAWING CONTAINS INFORMATION THAT IS PROPRIETARY TO MOLEX INCORPORATED AND SHOULD NOT BE USED WITHOUT WRITTEN PERMISSION			

X-ON Electronics

Largest Supplier of Electrical and Electronic Components

Click to view similar products for [Circular DIN Connectors](#) category:

Click to view products by [Molex](#) manufacturer:

Other Similar products are found below :

[60KD4M](#) [CTVP00RW-19-32S\(506\)](#) [M83723/76W22326](#) [M83723/78R22327](#) [D38999/26FE99SN L/C](#) [7547401103P](#) [75-474014-07L](#) [88-559975-75P](#) [8R3006A18M0033](#) [PT02E1283P](#) [GTC00G-24-7S](#) [PT05A-14-5SX](#) [PT05A1832SW](#) [PT05E2255PW](#) [PT05SE1832SWLC](#) [PT05SE1832SYLC](#) [GTC030-20-27PW-LC](#) [GTC030A-20-33S](#) [PT06SE1811SXLC](#) [1211290078](#) [1211810025](#) [1210120122](#) [ACC06AF-20-23P\(003\)](#) [1210503216](#) [1211290084](#) [1211500027](#) [ACS06AF-16-10P\(003\)](#) [D38999/40FB35AN](#) [D38999/40FB35BB](#) [D38999/40WB35BN](#) [D38999/40WD35PN](#) [D38999/40WJ29SN-L/C](#) [D38999/40WJ4BN](#) [D38999/42FB35BN](#) [D38999/42WB35AB](#) [D38999/42WB35PB-L/C](#) [D38999/42WJ19AN](#) [D38999/42WJ24PN-L/C](#) [D38999/44WB35AN](#) [D38999/44WD35BN](#) [D38999/44WH21AN](#) [D38999/44WH35AN](#) [D38999/44WJ29BA](#) [D38999/44WJ35PN](#) [D38999/44WJ61BA](#) [D38999/46FB35AC](#) [D38999/46FB35BN](#) [D38999/46FB35SA-L/C](#) [D38999/46FB99BA](#) [D38999/46FB99BN](#)