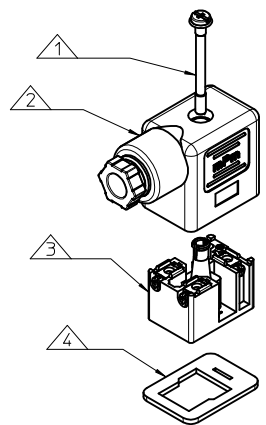
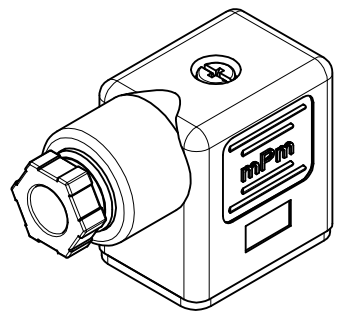


COVER DIMENSIONS FOR M20x15
AND 1/2" NPTF THREADED CONNECTORS



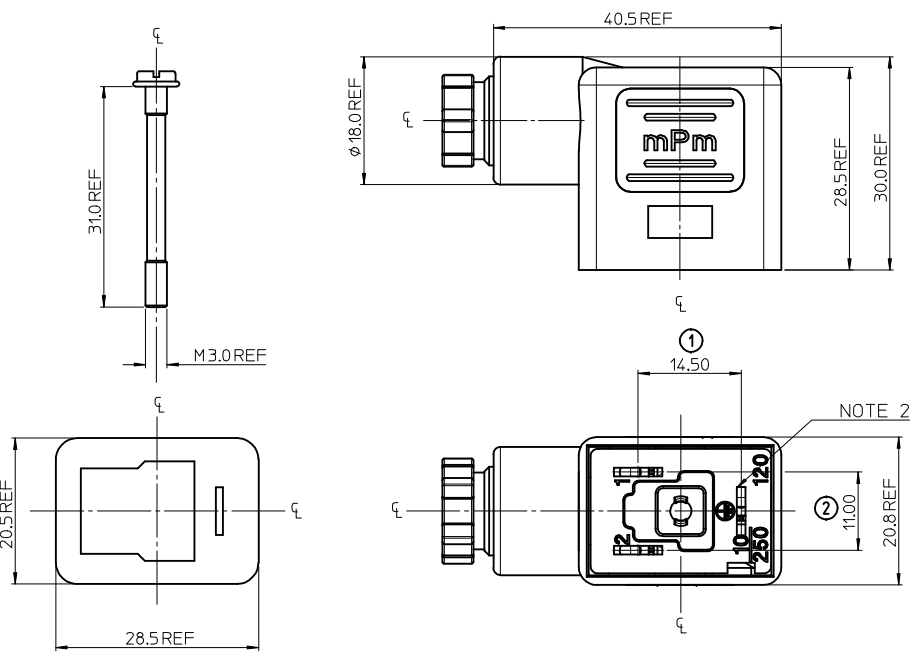
ITEM	DESCRIPTION
1	SCREW
2	COVER ASSEMBLY
3	INSERT ASSEMBLY
4	GASKET

C12207N22**

SERIES _____
 C12= INTERNAL THREAD FORM B INDUSTRIAL
 POLES _____
 2= 2 POLE
 THREAD SIZE _____
 07= PG7, 09= PG9, M2=M12x1.5, M6=M16x1.5, M0= M20x1.5, 13= 1/2" NPTF
 MATERIAL AND HOUSING COLOUR _____
 G= PA6 GRAY, N= PA6 BLACK, W= PA6 BLACK V0, T= TRANSPARENT
 GROUND POSITION _____
 0= UNMOUNTED, 2= H12, 6= H6

SCREW AND GASKET _____
 1= NBR PROFILE GASKET & SCREW
 2= NBR FLAT GASKET & SCREW
 3= WHITE SILICONE PROFILE GASKET & SCREW
 4= WHITE SILICONE FLAT GASKET & SCREW
 5= NBR PROFILE GASKET, NO SCREW
 6= NBR FLAT GASKET, NO SCREW
 A= NBR PROFILE GASKET & SCREW +2mm
 G= NO GASKET, STANDARD SCREW
 P= INTEGRATED NBR GASKET & IP67 SCREW ASSEMBLED

NON STANDARD COMPONENTS _____
 AF= WITH SCREW MOUNTED
 BS= FULLY UNMOUNTED
 P7= IP67 COMPLIANT
 2J= M3x31 INOX FIXING SCREW
 14= PACKED IN NEUTRAL BAG
 5A= SINGLE BAGGED
 SA= UL LISTED



NOTE 2

NOTES
 1. PLEASE SEE SHEET 2 FOR CURRENTLY CONFIGURED PART NUMBERS.
 FOR SPECIFIC PART NUMBERS PLEASE CONTACT SALES OR CONSULT
 THE INTELLIGENT PART NUMBERS IN THE TABLE ATTACHED.
 2. EARTH POSITION SHOWN: H12
 3. PRODUCT SPEC: SEE PS-121201-001, WITH EXCEPTION.
 4. FOR PACKAGING SEE PACKAGING SPEC PK-121023-C12.
 5. PART NO 1210230107 SHOWN FOR ILLUSTRATION PURPOSES ONLY

LAST INSPECTION NUMBER 2

UPDATED NOTE 3 EC NO: IFC2015-1871 DRWN:BCAFFREY 2015/04/27 CHKD: _____ APPR:STGRUFFIN 2015/05/13	DESCRIPTION REV	QUALITY SYMBOLS ▽=0 ▽=0		GENERAL TOLERANCES (UNLESS SPECIFIED) <table border="1"> <thead> <tr> <th></th> <th>mm</th> <th>INCH</th> </tr> </thead> <tbody> <tr> <td>4 PLACES</td> <td>± .005</td> <td>± .0004</td> </tr> <tr> <td>3 PLACES</td> <td>± .002</td> <td>± .0001</td> </tr> <tr> <td>2 PLACES</td> <td>± 0.10</td> <td>± .004</td> </tr> <tr> <td>1 PLACE</td> <td>± 0.2</td> <td>± .008</td> </tr> <tr> <td colspan="2">ANGULAR</td> <td>± .005°</td> </tr> </tbody> </table>			mm	INCH	4 PLACES	± .005	± .0004	3 PLACES	± .002	± .0001	2 PLACES	± 0.10	± .004	1 PLACE	± 0.2	± .008	ANGULAR		± .005°	DIMENSION STYLE MM ONLY		SCALE 2:1	DESIGN UNITS METRIC	THIRD ANGLE PROJECTION
			mm	INCH																								
		4 PLACES	± .005	± .0004																								
		3 PLACES	± .002	± .0001																								
2 PLACES	± 0.10	± .004																										
1 PLACE	± 0.2	± .008																										
ANGULAR		± .005°																										
DRAWN BY DSHEA		DATE 2011/05/19		TITLE C12 SERIES INTERNAL THREAD																								
CHECKED BY DMAHER		DATE 2011/05/27		MOLEX INCORPORATED																								
APPROVED BY EFOLAN		DATE 2011/06/08		MATERIAL NO. SEE SHEET 2		DOCUMENT NO. SD-121023-006		SHEET NO. 1 OF 2																				

PART NO	mPm NO	DESCRIPTION
1210230101	C12207G21	TYPE B INDUSTRIAL 2P PG7 GRAY NBR PROFILE GASKET
1210230105	C12207N21	TYPE B INDUSTRIAL 2P PG7 BLACK NBR PROFILE GASKET
1210230107	C12207N22	TYPE B INDUSTRIAL 2P PG7 BLACK NBR FLAT GASKET
1210230108	C12207N24	TYPE B INDUSTRIAL 2P PG7 BLACK WHITE SILICON FLAT GASKET
1210230110	C12207N62	TYPE B INDUSTRIAL 2P PG7 BLACK NBR FLAT GASKET
1210230118	C12209G21	TYPE B INDUSTRIAL 2P PG9 GRAY NBR PROFILE GASKET
1210230122	C12209N21	TYPE B INDUSTRIAL 2P PG9 BLACK NBR PROFILE GASKET
1210230125	C12209N22	TYPE B INDUSTRIAL 2P PG9 BLACK NBR FLAT GASKET
1210230127	C12209N22AF	TYPE B INDUSTRIAL 2P PG9 BLACK NBR FLAT GASKET WITH SCREW MOUNTED
1210230128	C12209N23	TYPE B INDUSTRIAL 2P PG9 BLACK WHITE SILICON PROFILE GASKET
1210230129	C12209N24	TYPE B INDUSTRIAL 2P PG9 BLACK WHITE SILICON FLAT GASKET
1210230130	C12209N25	TYPE B INDUSTRIAL 2P PG9 BLACK NBR PROFILE GASKET, NO SCREW
1210230136	C12209N2A	TYPE B INDUSTRIAL 2P PG9 BLACK NBR PROFILE GASKET & SCREW +2mm
1210230137	C12209N2G	TYPE B INDUSTRIAL 2P PG9 BLACK NO GASKET, & STANDARD SCREW
1210230139	C12209N62	TYPE B INDUSTRIAL 2P PG9 BLACK NBR FLAT GASKET
1210230142	C12209T21	TYPE B INDUSTRIAL 2P PG9 TRANSPARENT NBR PROFILE GASKET
1210230150	C12209W21	TYPE B INDUSTRIAL 2P PG9 BLACK V0 NBR PROFILE GASKET
1210230162	C12213N21	TYPE B INDUSTRIAL 2P 1/2" NPTF BLACK NBR PROFILE GASKET
1210230650	C122M6N21	TYPE B INDUSTRIAL 2P M16x1.5 BLACK NBR PROFILE GASKET
1210230663	C122M0N21	TYPE B INDUSTRIAL 2P M20x1.5 BLACK NBR PROFILE GASKET
1210230671	C122M6N22	TYPE B INDUSTRIAL 2P M16x1.5 BLACK NBR FLAT GASKET
1210230676	C122M6N22AF	TYPE B INDUSTRIAL 2P M16x1.5 BLACK NBR FLAT GASKET WITH SCREW MOUNTED
1210230726	C12209N21BS	TYPE B INDUSTRIAL 2P PG9 BLACK NBR PROFILE GASKET FULLY UNMOUNTED
1210230738	C12209N21P7	TYPE B INDUSTRIAL 2P PG9 BLACK NBR PROFILE GASKET IP67 COMPLIANT
1210230812	C122M6N2P	TYPE B INDUSTRIAL 2P M16x1.5 BLACK INTEGRATED NBR GASKET & IP67 SCREW ASSEMBLED
1210230842	C12209N61	TYPE B INDUSTRIAL 2P PG9 BLACK NBR PROFILE GASKET
1210240032	C12207N212J	TYPE B INDUSTRIAL 2P PG7 BLACK NBR PROFILE GASKET M3x31 INOX FIXING SCREW
1210240056	C12209N212J	TYPE B INDUSTRIAL 2P PG9 BLACK NBR PROFILE GASKET M3x31 INOX FIXING SCREW
1210240062	C12209N215A	TYPE B INDUSTRIAL 2P PG9 BLACK NBR PROFILE GASKET SINGLE BAGGED 500 IN A BOX
1210240098	C12213N2114	TYPE B INDUSTRIAL 2P 1/2" NPTF BLACK NBR PROFILE GASKET IN NEUTRAL BAG
1210240501	C12209N2114	TYPE B INDUSTRIAL 2P PG9 BLACK NBR PROFILE GASKET IN NEUTRAL BAG
1210230850	C12213N62	TYPE B INDUSTRIAL 2P 1/2" NPTF BLACK NBR FLAT GASKET
1210230852	C122M6W21SA	TYPE B INDUSTRIAL 2P M16x1.5 BLACK V0 NBR PROFILE GASKET, UL LISTED, H12
1210230776	C122M6W62SA	TYPE B INDUSTRIAL 2P M16x1.5 BLACK V0, NBR FLAT GASKET, UL LISTED, H6

SEE SHEET 1 EC NO: IPG2015-1871 DRW:BCAFFREY 2015/04/27 CHK: [] APPR:STGRUFFIN 2015/05/13 REV	QUALITY SYMBOLS	GENERAL TOLERANCES (UNLESS SPECIFIED)	DIMENSION STYLE	SCALE	DESIGN UNITS	THIRD ANGLE PROJECTION															
	$\nabla=0$ $\nabla=0$	<table border="1"> <tr><th colspan="2">mm</th><th>INCH</th></tr> <tr><td>4 PLACES</td><td>±---</td><td>±---</td></tr> <tr><td>3 PLACES</td><td>±---</td><td>±---</td></tr> <tr><td>2 PLACES</td><td>±0.10</td><td>±---</td></tr> <tr><td>1 PLACE</td><td>±0.2</td><td>±---</td></tr> </table>	mm		INCH	4 PLACES	±---	±---	3 PLACES	±---	±---	2 PLACES	±0.10	±---	1 PLACE	±0.2	±---	MM ONLY DRAWN BY DSHEA DATE 2011/05/19 CHECKED BY DMAHER DATE 2011/05/27 APPROVED BY EFOLAN DATE 2011/06/08	2:1	METRIC	
	mm		INCH																		
	4 PLACES	±---	±---																		
3 PLACES	±---	±---																			
2 PLACES	±0.10	±---																			
1 PLACE	±0.2	±---																			
DESCRIPTION	DRAFT WHERE APPLICABLE MUST REMAIN WITHIN DIMENSIONS	MATERIAL NO. SEE TABLE SIZE A 2	TITLE C12 SERIES INTERNAL THREAD		MOLEX INCORPORATED																
			DOCUMENT NO. SD-121023-006		SHEET NO. 2 OF 2																

X-ON Electronics

Largest Supplier of Electrical and Electronic Components

Click to view similar products for [Circular DIN Connectors](#) category:

Click to view products by [Molex](#) manufacturer:

Other Similar products are found below :

[CTV06RQF-25-8SA-LC](#) [CTV06RQF-25-8S-LC](#) [CTV06RQW-25-8SB-LC](#) [CTV06RW-25-20P](#) [CTV06RW-25-20PA](#) [CTV06RW-25-20PB](#)
[CTV06RW-25-20PE-LC](#) [CTV06RW-25-20SB](#) [CTV06RW-25-20SE](#) [CTV07RW-17-8S\(506\)](#) [CTVP00RW-19-32S\(506\)](#) [CTVP00RW-9-35S\(506\)](#) [M83723/71R20416](#) [M83723/71R22196](#) [M83723/71W2039N](#) [M83723/71W24196](#) [M83723/71W2419N](#) [M83723/72A1404N-LC](#)
[M83723/72R1203N](#) [M83723/72W20418](#) [M83723/72W22126](#) [M83723/72W22556](#) [M83723/72W2419N](#) [M83723/72W2461N](#)
[M83723/73R2028N](#) [M83723/73R2039N](#) [M83723/73W1412N](#) [M83723/73W2039N](#) [M83723/74R1624N](#) [M83723/74R1808N](#)
[M83723/74R2212N](#) [M83723/74W1203N](#) [M83723/74W1412N](#) [M83723/74W20416](#) [M83723/74W2041N](#) [M83723/75R10058](#)
[M83723/75W2232N](#) [M83723/76R14157](#) [M83723/76R20256](#) [M83723/76W1808N](#) [M83723/76W2016N](#) [M83723/76W2461N](#)
[M83723/77W2016N](#) [M83723/78R22327](#) [M83723/78W2212N](#) [M83723/78W22556](#) [M85049/50-5F](#) [D38999/20FF11AC](#) [D38999/20FJ20BB](#)
[D38999/20FJ20SC](#)