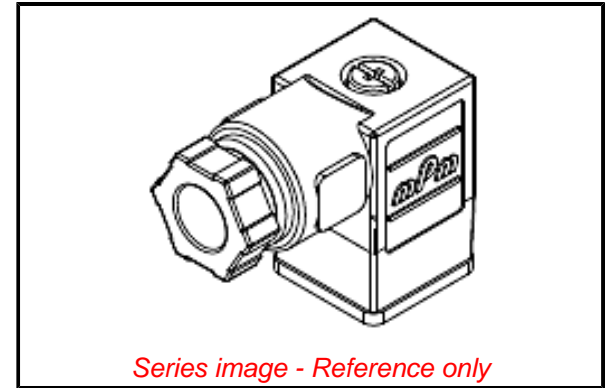


**PLEASE CHECK WWW.MOLEX.COM FOR LATEST PART INFORMATION**

**Part Number:** [1210230464](#)  
**Status:** **Active**  
**Overview:** mPm DIN Valve Connectors  
**Description:** mPm DIN Valve Connector, Form C-Micro 9.4mm, PG7 Internal Threads, 3 Pole Plus Ground Terminal, 250V AC/300V DC, Black, Nitrile Gasket and Screw, Bulk Pack Mounted

**Documents:**

[Drawing \(PDF\)](#) [RoHS Certificate of Compliance \(PDF\)](#)  
[Packaging Specification PK-121023-C19-001 \(PDF\)](#)



Series image - Reference only

**Agency Certification**

UL E218123

**General**

Product Family Field Attachable / Accessories  
 Series [121023](#)  
 Form C - Micro 9.4mm  
 IP Rating IP65, IP67  
 Material - Contact Brass  
 Overview [mPm DIN Valve Connectors](#)  
 Product Name mPm  
 Type Field Attachable Connector  
 UPC 883906249076

**Physical**

Cable Diameter N/A  
 Coupling Type Internal Thread  
 Diagnostics / LEDs No  
 Diagnostics Port No  
 Gender N/A  
 Keyway None  
 Material - Connector Body Polypropylene  
 Material - Coupling Nut N/A  
 Material - Plating Mating Silver  
 Net Weight 11.553/g  
 Orientation 90° Angle  
 Pitch - Mating Interface 9.40mm  
 Poles 3  
 Temperature Range - Operating -40°C to +90°C  
 Wire Size AWG N/A

**Electrical**

Current - Maximum per Contact 16.0A  
 Voltage - Maximum 250V AC / 300V DC

**Material Info**

Engineering Number C19307N21

**Reference - Drawing Numbers**

Packaging Specification PK-121023-C19-001  
 Sales Drawing SD-121023-005-001

**EU ELV**

**Not Relevant**

**EU RoHS**

**Compliant with Exemption 6(c)**

**REACH SVHC**

Contained Per - D(2020)9139-DC (19 Jan 2021)

Lead

**Halogen-Free**

**Status**

**Low-Halogen**

For more information, please visit [Contact US](#)

China ROHS

50 Image

ELV

Not Relevant

RoHS Phthalates

Not Contained

**Search Parts in this Series**

[121023 Series](#)

## X-ON Electronics

Largest Supplier of Electrical and Electronic Components

*Click to view similar products for [Circular DIN Connectors](#) category:*

*Click to view products by [Molex](#) manufacturer:*

Other Similar products are found below :

[60KD4M](#) [CTVP00RW-19-32S\(506\)](#) [M83723/76W22326](#) [M83723/78R22327](#) [D38999/26FE99SN L/C](#) [75-069228-21J](#) [7547401103P](#) [75-474014-07L](#) [88-559975-75P](#) [8R3006A18M0033](#) [PT02E1283P](#) [GTC00G-24-7S](#) [PT05A-14-5SX](#) [PT05A1832SW](#) [PT05E2255PW](#) [PT05SE1832SWLC](#) [PT05SE1832SYLC](#) [GTC030-20-27PW-LC](#) [GTC030A-20-33S](#) [PT06SE1811SXLC](#) [1211290078](#) [1211810025](#) [1210120122](#) [ACC06AF-20-23P\(003\)](#) [1210503216](#) [1211290084](#) [1211500027](#) [ACS06AF-16-10P\(003\)](#) [D38999/40FB35AN](#) [D38999/40FB35BB](#) [D38999/40WB35BN](#) [D38999/40WD35PN](#) [D38999/40WJ29SN-L/C](#) [D38999/40WJ4BN](#) [D38999/42FB35BN](#) [D38999/42WB35AB](#) [D38999/42WB35PB-L/C](#) [D38999/42WJ19AN](#) [D38999/42WJ24PN-L/C](#) [D38999/44WB35AN](#) [D38999/44WD35BN](#) [D38999/44WH21AN](#) [D38999/44WH35AN](#) [D38999/44WJ29BA](#) [D38999/44WJ35PN](#) [D38999/44WJ61BA](#) [D38999/46FB35AC](#) [D38999/46FB35BN](#) [D38999/46FB35SA-L/C](#) [D38999/46FB99BA](#)