

S05 SERIES MATRIX

S 0 5 2 0 7 T A 1 2 2 * *

SERIES:
S05- INTERNAL THREAD
FORM C

POLES:
2-2 POLE

THREAD:
07-PG7
M2-M12X1.5

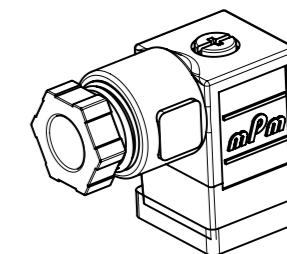
MATERIAL AND
HOUSING COLOUR:
T-TRANSPARENT

CIRCUIT:
SEE DETAILS
IN CATALOGUE

VOLTAGE:
SEE DETAILS
IN CATALOGUE

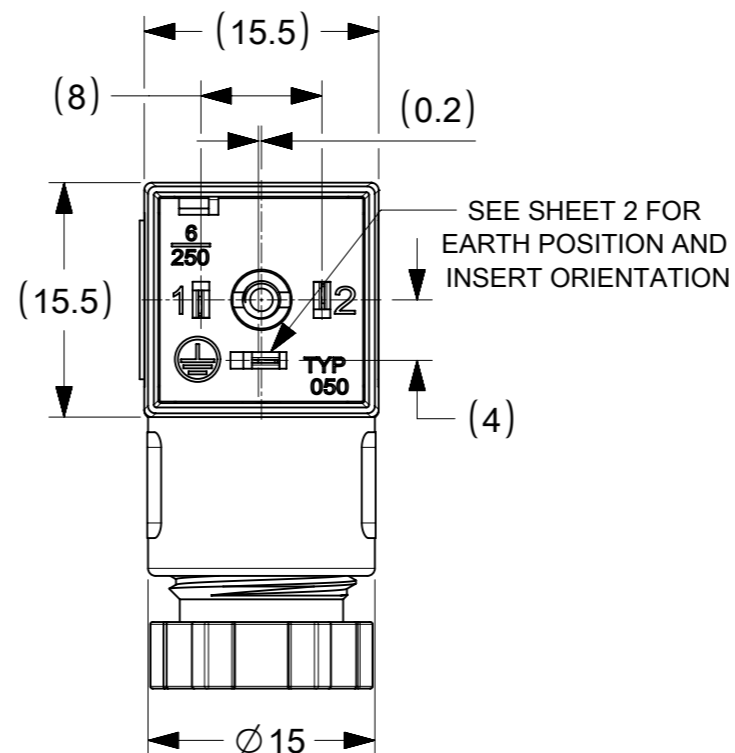
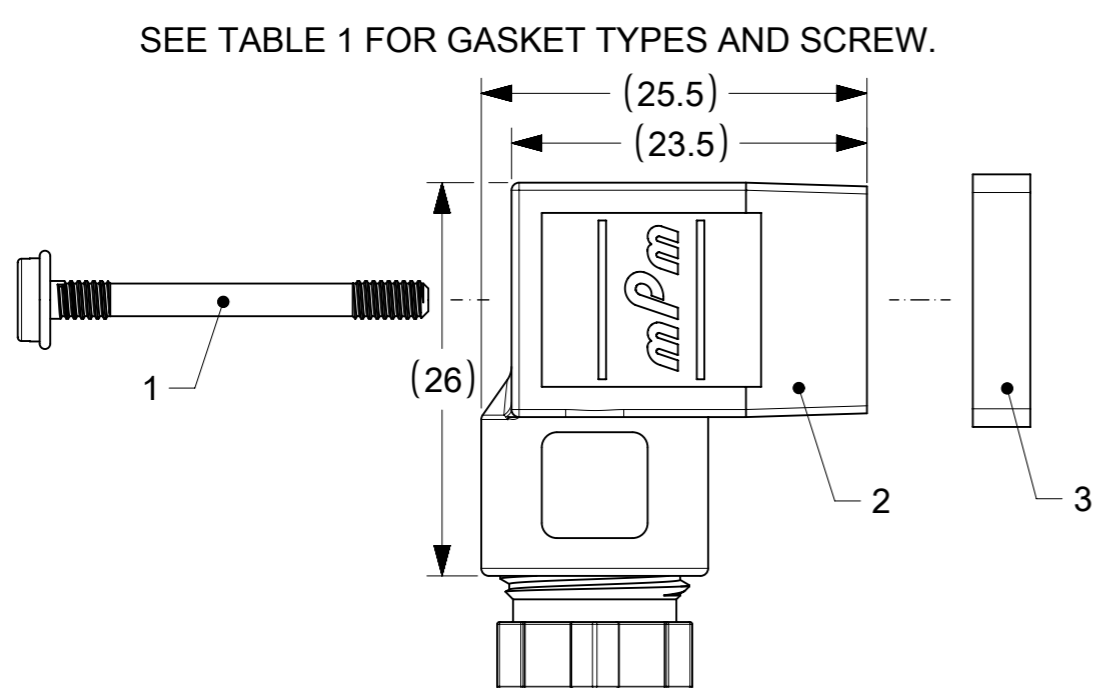
SCREW AND GASKET:
1- NBR PROFILE GASKET & SCREW
2- NBR FLAT GASKET & SCREW

NON STANDARD COMPONENTS:
14-PACKED IN NEUTRAL BAG
SA-UL LISTED



SCALE 1:1

SEE TABLE 1 FOR GASKET TYPES AND SCREW.



GASKET HIDDEN FOR CLARITY

ITEM	DESCRIPTION/OPIS
1	SCREW
2	COVER+INSERT ASSEMBLY
3	GASKET

TABLE 1

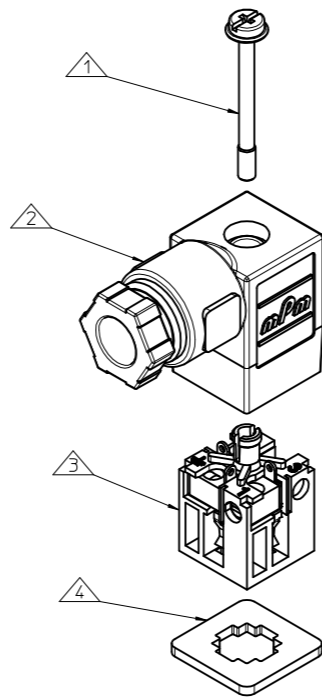
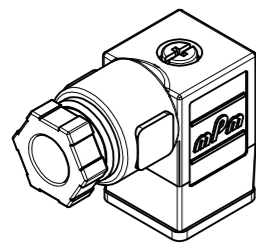
PROFILED GASKET	FLAT GASKET	SCREW M2.5x25

TECHNICAL SPECIFICATION:

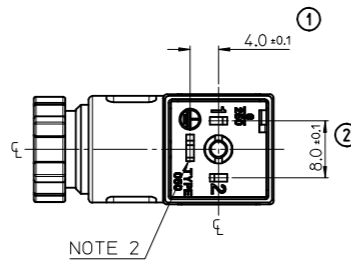
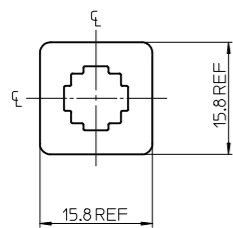
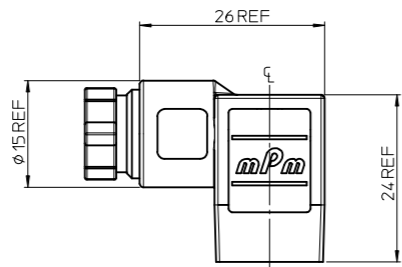
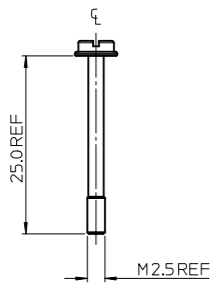
OPERATING CURRENT: 10A
CONTACT RESISTANCE: <15 mOhms MAX.

OPERATING TEMPERATURE:
NBR GASKET: -40° TO +90°C
SILICONE GASKET: -40° TO +125°C

SYMBOLS DIMENSION UNITS: mm SCALE: 2:1 GENERAL TOLERANCES (UNLESS SPECIFIED): ANGULAR TOL ± 1.0° 4 PLACES ± 3 PLACES ± 2 PLACES ± 0.05 1 PLACE ± 0.3 0 PLACES ± 0.5 DRAFT WHERE APPLICABLE MUST REMAIN WITHIN DIMENSIONS	THIS DRAWING CONTAINS INFORMATION THAT IS PROPRIETARY TO MOLEX ELECTRONIC TECHNOLOGIES, LLC AND SHOULD NOT BE USED WITHOUT WRITTEN PERMISSION		CURRENT REV DESC: INITIAL RELEASE		
	EC NO: 613943 DRWN: MDHARMANTI 2018/12/03 CHK'D: RSILLER 2019/03/19 APPR: RSILLER 2019/03/19		S052 PG07 TRANS XV LED & VDR		
	INITIAL REVISION: DRWN: MDHARMANTI 2018/12/03 APPR: RSILLER 2019/03/19		PRODUCT CUSTOMER DRAWING		
	DRAFT WHERE APPLICABLE MUST REMAIN WITHIN DIMENSIONS		THIRD ANGLE PROJECTION		
DOCUMENT NUMBER: 1210640168		DOC TYPE: PSD DOC PART: 000 REVISION: A		MATERIAL NUMBER: SEE PART LIST CUSTOMER: GENERAL MARKET SHEET NUMBER: 1 OF 2	
DIMENSION UNITS: mm SCALE: 2:1		A3-SIZE		SERIES: 121064	



ITEM	DESCRIPTION
1	SCREW
2	COVER ASSEMBLY
3	INSERT ASSEMBLY
4	GASKET



S05207TA122**

SERIES S05- INTERNAL THREAD FORM C
 POLES 2= 2 POLE & 3= 3 POLE
 THREAD 07- PG7, M2- M12x15
 MATERIAL AND HOUSING COLOUR G- PA6 GRAY, N- PA6 BLACK, W- PA6 BLACK VO, T- TRANSPARENT
 CIRCUIT SEE DETAILS IN CATALOGUE
 VOLTAGE SEE DETAILS IN CATALOGUE
 SCREW AND GASKET
 1= NBR PROFILE GASKET & SCREW
 2= NBR FLAT GASKET & SCREW
 3= WHITE SILICON PROFILE GASKET & SCREW
 4= WHITE SILICON FLAT GASKET & SCREW
 NON STANDARD COMPONENTS
 14= PACKED IN NEUTRAL BAG
 5N= PACKED IN BOXES OF 200

- NOTES
 1. PLEASE SEE SHEET 2 FOR CURRENTLY CONFIGURED PART NUMBERS. FOR SPECIFIC PART NUMBERS PLEASE CONTACT SALES OR CONSULT THE INTELLIGENT PART NUMBERS IN THE TABLE ATTACHED.
 2. EARTH POSITION SHOWN, H6.
 3. FOR PACKAGING SEE PACKAGING SPEC PK-121065-S05
 4. PRODUCT SPEC: SEE PS-121201-001

LAST INSPECTION NUMBER 2

ADDED PART NUMBER	REV	DESCRIPTION	QUALITY SYMBOLS		GENERAL TOLERANCES (UNLESS SPECIFIED)		DIMENSION STYLE		SCALE	DESIGN UNITS	THIRD ANGLE PROJECTION
			mm	INCH	MM ONLY	TITLE					
2012/11/21			4 PLACES ±---	±---	4 PLACES ±---	±---	DRAWN BY	DATE	2:1	METRIC	THIRD ANGLE PROJECTION
2012/11/23			3 PLACES ±---	±---	3 PLACES ±---	±---	JOCONNOR	2011/05/11			
2012/11/23			2 PLACES ±0.1	±---	2 PLACES ±0.1	±---	CHECKED BY	DATE	S05 SERIES INTERNAL THREAD		
2012/12/05			1 PLACE ±0.2	±---	1 PLACE ±0.2	±---	DMAHER	2011/05/11			
			ANGULAR ±---°		ANGULAR ±---°		APPROVED BY	DATE	MOLEX INCORPORATED		
							EFOLAN	2011/05/25			
							MATERIAL NO.		DOCUMENT NO.		SHEET NO.
							SEE SHEET 2		SD-121064-001		1 OF 2
DRAFT WHERE APPLICABLE MUST REMAIN WITHIN DIMENSIONS											
THIS DRAWING CONTAINS INFORMATION THAT IS PROPRIETARY TO MOLEX INCORPORATED AND SHOULD NOT BE USED WITHOUT WRITTEN PERMISSION											

12 11 10 9 8 7 6 5 4 3 2 1

PART No.	mPm PART No.	DESCRIPTION	CIRCUIT	VOLTAGE	INDICATOR
1210640155	S05207TA022	TYPE C 2P PG7 TRANSPARENT NBR FLAT GASKET	A0	24V	RED LED/LAMP
1210640159	S05207TA122	TYPE C 2P PG7 TRANSPARENT NBR FLAT GASKET	A1	24V	RED LED
1210640160	S05207TA142	TYPE C 2P PG7 TRANSPARENT NBR FLAT GASKET	A1	115V	RED LED
1210640161	S05207TA152	TYPE C 2P PG7 TRANSPARENT NBR FLAT GASKET	A1	230V	RED LED
1210641267	S05207TA1H2	TYPE C 2P PG7 TRANSPARENT NBR FLAT GASKET	A1	24V	AMBER LED
1210641318	S05207TA121	TYPE C 2P PG7 TRANSPARENT NBR PROFILE GASKET	A1	24V	RED LED
1210641485	S05207TA1B1	TYPE C 2P PG7 TRANSPARENT NBR PROFILE GASKET	A1	24V	GREEN LED
1210641564	S05207TA1B2	TYPE C 2P PG7 TRANSPARENT NBR FLAT GASKET	A1	24V	GREEN LED
1210641565	S05207TA1E2	TYPE C 2P PG7 TRANSPARENT NBR FLAT GASKET	A1	230V	GREEN LED
1210641731	S05207TA1H1	TYPE C 2P PG7 TRANSPARENT NBR PROFILE GASKET	A1	24V	AMBER LED
1210641732	S05207TA1L1	TYPE C 2P PG7 TRANSPARENT NBR PROFILE GASKET	A1	115V	AMBER LED
1210641745	S05207TA1L2	TYPE C 2P PG7 TRANSPARENT NBR FLAT GASKET	A1	115V	AMBER LED
1210640164	S05207TC322	TYPE C 2P PG7 TRANSPARENT NBR FLAT GASKET	C3	24V	RED LED
1210640165	S05207TC3H1	TYPE C 2P PG7 TRANSPARENT NBR PROFILE GASKET	C3	24V	AMBER LED
1210641396	S05207TC321	TYPE C 2P PG7 TRANSPARENT NBR PROFILE GASKET	C3	24V	RED LED
1210641730	S05207TC3H2	TYPE C 2P PG7 TRANSPARENT NBR FLAT GASKET	C3	24V	AMBER LED
1210640167	S05207TC421	TYPE C 2P PG7 TRANSPARENT NBR PROFILE GASKET	C4	24V	RED LED
1210640168	S05207TC422	TYPE C 2P PG7 TRANSPARENT NBR FLAT GASKET	C4	24V	RED LED
1210640169	S05207TC4225N	TYPE C 2P PG7 TRANSPARENT NBR FLAT GASKET IN BOX OF 200	C4	24V	RED LED
1210640171	S05207TC442	TYPE C 2P PG7 TRANSPARENT NBR FLAT GASKET	C4	115V	RED LED
1210640172	S05207TC452	TYPE C 2P PG7 TRANSPARENT NBR FLAT GASKET	C4	230V	RED LED
1210640173	S05207TC4B2	TYPE C 2P PG7 TRANSPARENT NBR FLAT GASKET	C4	24V	GREEN LED
1210640175	S05207TC4D2	TYPE C 2P PG7 TRANSPARENT NBR FLAT GASKET	C4	115V	GREEN LED
1210640179	S05207TC4H2	TYPE C 2P PG7 TRANSPARENT NBR FLAT GASKET	C4	24V	AMBER LED
1210640181	S05207TC4L2	TYPE C 2P PG7 TRANSPARENT NBR FLAT GASKET	C4	115V	AMBER LED
1210640182	S05207TC4M2	TYPE C 2P PG7 TRANSPARENT NBR FLAT GASKET	C4	230V	AMBER LED
1210641245	S05207TC4B1	TYPE C 2P PG7 TRANSPARENT NBR PROFILE GASKET	C4	24V	GREEN LED
1210641253	S05207TC4H1	TYPE C 2P PG7 TRANSPARENT NBR PROFILE GASKET	C4	24V	AMBER LED
1210641446	S05207TC4M1	TYPE C 2P PG7 TRANSPARENT NBR PROFILE GASKET	C4	230V	AMBER LED
1210641459	S05207TC424	TYPE C 2P PG7 TRANSPARENT WHITE SILICON FLAT GASKET	C4	24V	RED LED
1210641486	S052M2TC4B1	TYPE C 2P M12x1.5 TRANSPARENT NBR PROFILE GASKET	C4	24V	GREEN LED
1210641751	S05207TC4K2	TYPE C 2P PG7 TRANSPARENT NBR FLAT GASKET	C4	48V	AMBER LED
1210650105	S05207TC42214	TYPE C 2P PG7 TRANSPARENT NBR FLAT GASKET IN NEUTRAL BAG	C4	24V	RED LED
1210650552	S05207TC4525N	TYPE C 2P PG7 TRANSPARENT NBR FLAT GASKET IN BOX OF 200	C4	230V	RED LED
1210640183	S05207TS0H1	TYPE C 2P PG7 TRANSPARENT NBR PROFILE GASKET	S0	24V	AMBER LED
1210641799	S052M2TC322	TYPE C 2P M12x1.5 TRANSPARENT NBR FLAT GASKET	C3	24V	RED LED

SEE SHEET 1 EC NO: IPG2013-0751 DRWNSHEA 2012/11/24 CHKD:MAHER 2012/11/23 APPR:STGRFFIN 2012/12/05 REV:	QUALITY SYMBOLS	GENERAL TOLERANCES (UNLESS SPECIFIED)	DIMENSION STYLE	SCALE	DESIGN UNITS	THIRD ANGLE PROJECTION												
	$\nabla=0$ $\nabla=0$	<table border="1"> <tr><th>mm</th><th>INCH</th></tr> <tr><td>4 PLACES ±---</td><td>±---</td></tr> <tr><td>3 PLACES ±---</td><td>±---</td></tr> <tr><td>2 PLACES ±0.1</td><td>±---</td></tr> <tr><td>1 PLACE ±0.2</td><td>±---</td></tr> <tr><td colspan="2">ANGULAR ±---°</td></tr> </table>	mm	INCH	4 PLACES ±---	±---	3 PLACES ±---	±---	2 PLACES ±0.1	±---	1 PLACE ±0.2	±---	ANGULAR ±---°		MM ONLY DRAWN BY: JOCONNOR DATE: 2011/05/11 CHECKED BY: DMAHER DATE: 2011/05/11 APPROVED BY: EFOLAN DATE: 2011/05/25	2:1	METRIC	
	mm	INCH																
	4 PLACES ±---	±---																
3 PLACES ±---	±---																	
2 PLACES ±0.1	±---																	
1 PLACE ±0.2	±---																	
ANGULAR ±---°																		
DRAFT WHERE APPLICABLE MUST REMAIN WITHIN DIMENSIONS	SEE CHART	MOLEX INCORPORATED MATERIAL NO. SD-121064-001 DOCUMENT NO.	TITLE: S05 SERIES INTERNAL THREAD	SHEET NO. 2 OF 2														
THIS DRAWING CONTAINS INFORMATION THAT IS PROPRIETARY TO MOLEX INCORPORATED AND SHOULD NOT BE USED WITHOUT WRITTEN PERMISSION																		

12 11 10 9 8 7 6 5 4 3 2 1

X-ON Electronics

Largest Supplier of Electrical and Electronic Components

Click to view similar products for [Circular DIN Connectors](#) category:

Click to view products by [Molex](#) manufacturer:

Other Similar products are found below :

[60KD4M](#) [CTVP00RW-19-32S\(506\)](#) [M83723/76W22326](#) [M83723/78R22327](#) [D38999/26FE99SN L/C](#) [75-069228-21J](#) [7547401103P](#) [75-474014-07L](#) [88-559975-75P](#) [8R3006A18M0033](#) [PT02E1283P](#) [GTC00G-24-7S](#) [PT05A-14-5SX](#) [PT05A1832SW](#) [PT05E2255PW](#) [PT05SE1832SWLC](#) [PT05SE1832SYLC](#) [GTC030-20-27PW-LC](#) [GTC030A-20-33S](#) [PT06SE1811SXLC](#) [1211290078](#) [1211810025](#) [1210120122](#) [ACC06AF-20-23P\(003\)](#) [1210503216](#) [1211290084](#) [1211500027](#) [ACS06AF-16-10P\(003\)](#) [D38999/40FB35AN](#) [D38999/40FB35BB](#) [D38999/40WB35BN](#) [D38999/40WD35PN](#) [D38999/40WJ29SN-L/C](#) [D38999/40WJ4BN](#) [D38999/42FB35BN](#) [D38999/42WB35AB](#) [D38999/42WB35PB-L/C](#) [D38999/42WJ19AN](#) [D38999/42WJ24PN-L/C](#) [D38999/44WB35AN](#) [D38999/44WD35BN](#) [D38999/44WH21AN](#) [D38999/44WH35AN](#) [D38999/44WJ29BA](#) [D38999/44WJ35PN](#) [D38999/44WJ61BA](#) [D38999/46FB35AC](#) [D38999/46FB35BN](#) [D38999/46FB35SA-L/C](#) [D38999/46FB99BA](#)