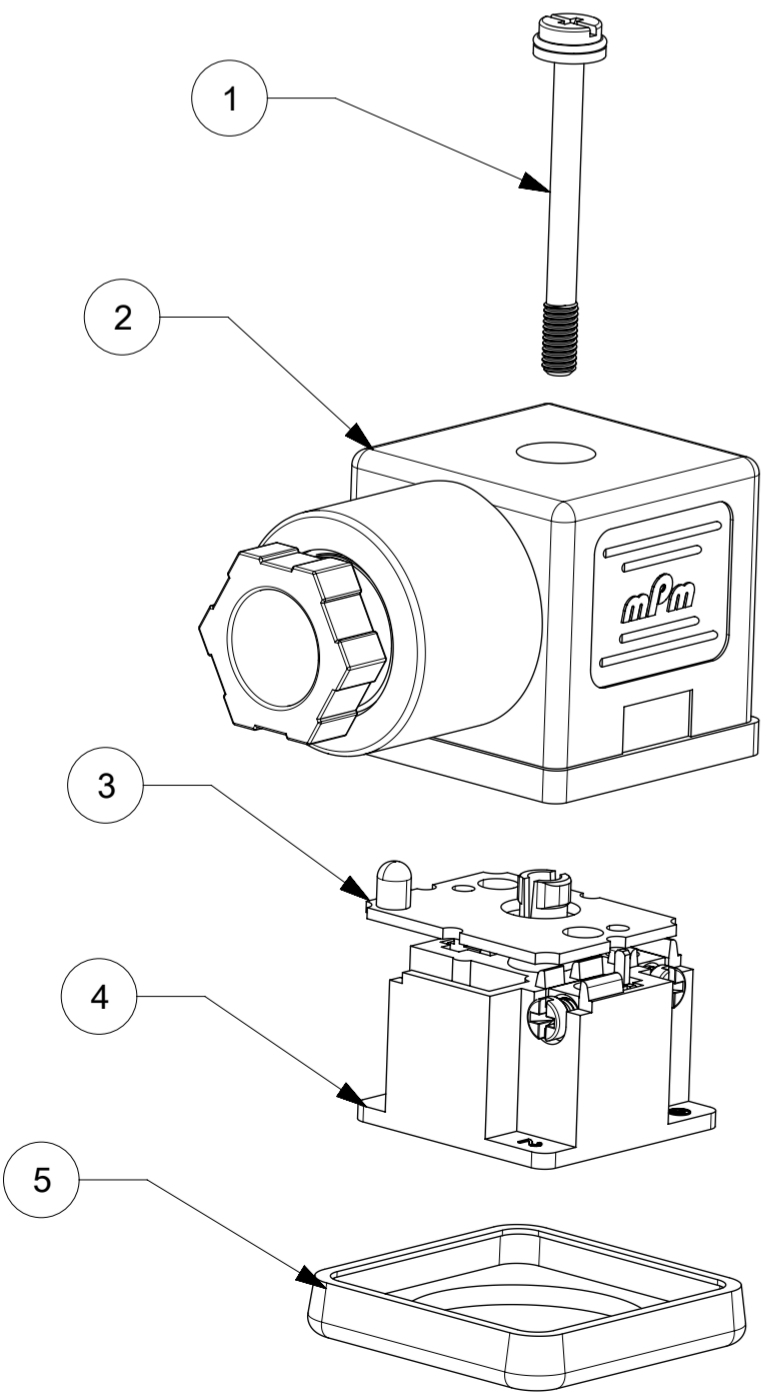


S18 3 09 T A1 2 2 **

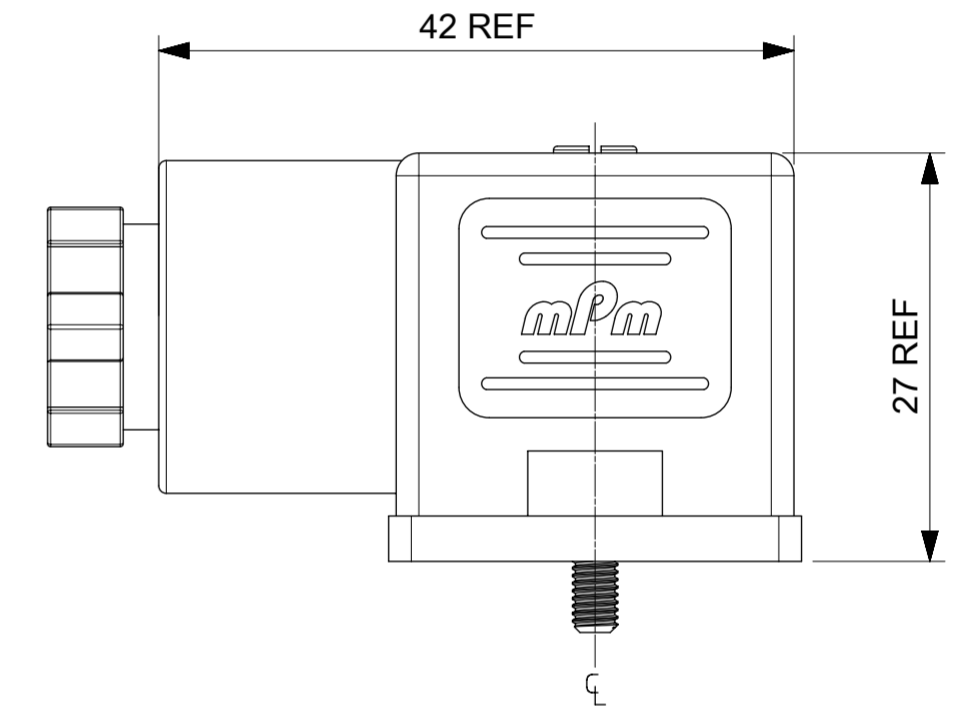
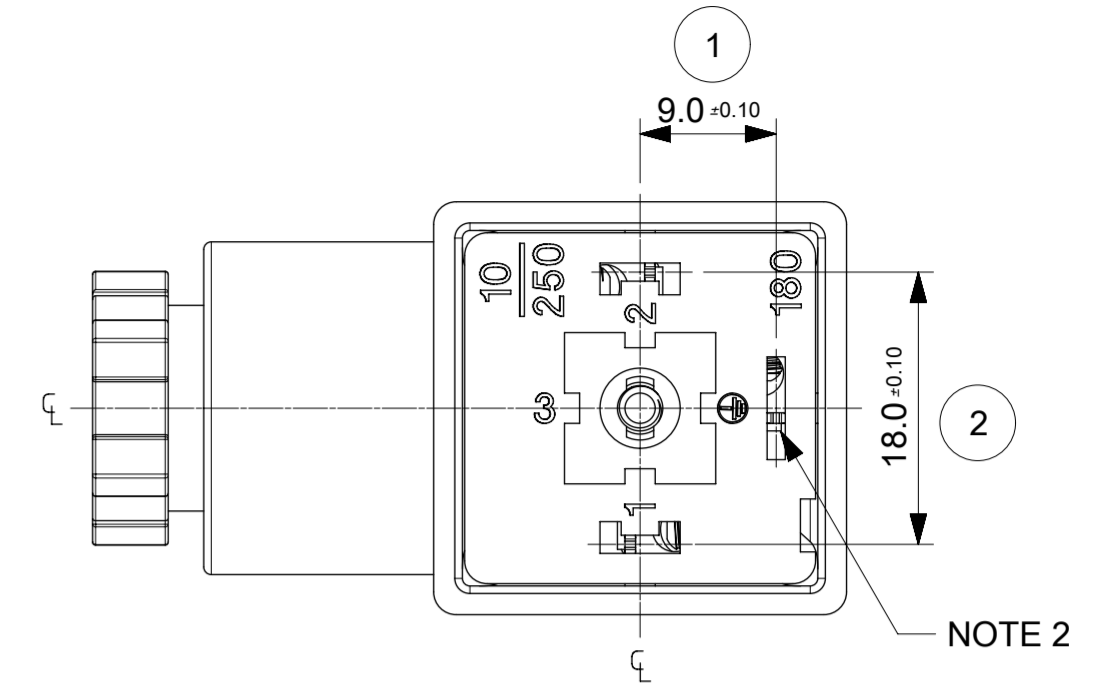
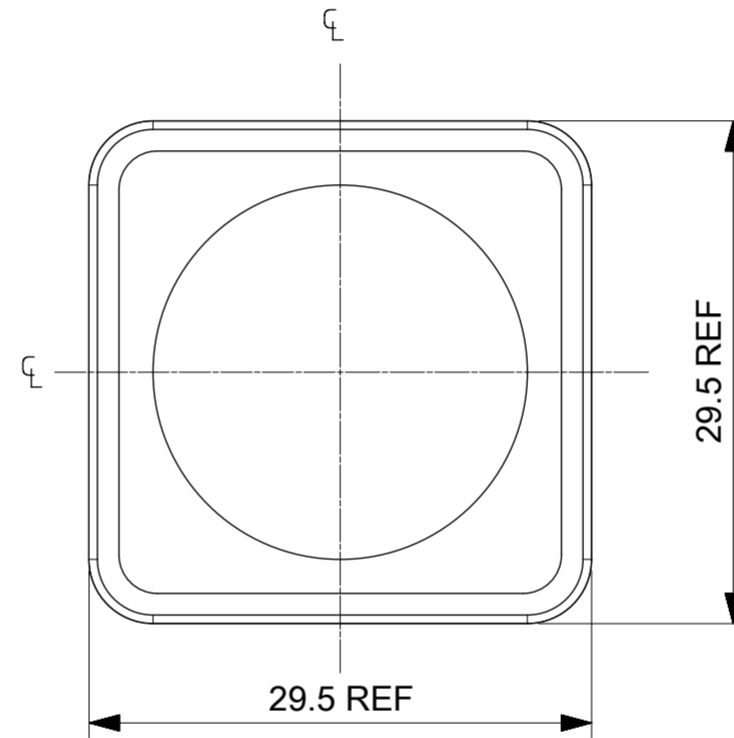
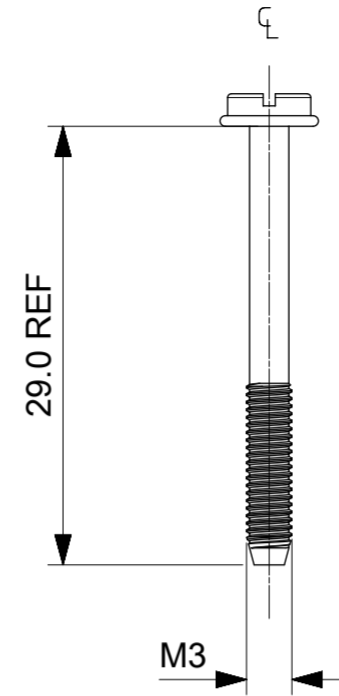
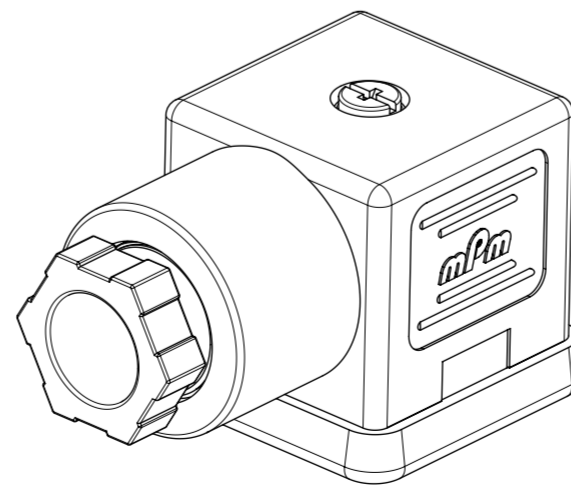
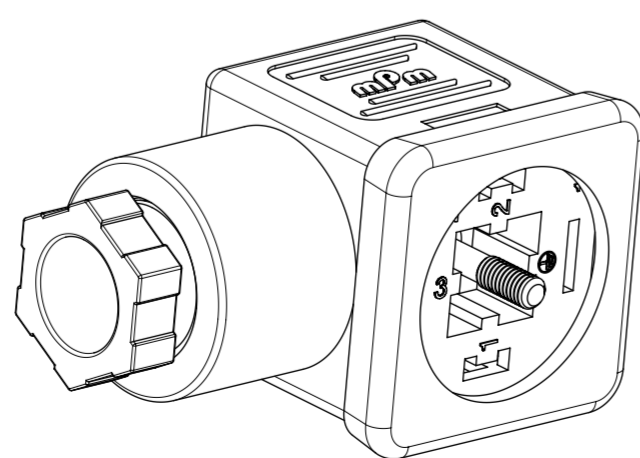
SERIES _____
 S18= INTERNAL THREAD FORM A
 POLES _____
 2= 2 POLE & 3= 3 POLE
 THREAD _____
 09= PG9, 11= PG11, M6=M16x1.5, M0= M20x1.5, 12= 1/2" GAS 13= 1/2" NPTF
 MATERIAL AND HOUSING COLOUR _____
 G= PA6 GRAY, N= PA6 BLACK, W= PA6 BLACK V0, T= PA12 TRANSPARENT,
 B= PA6 WHITE
 CIRCUIT _____
 SEE DETAILS IN CATALOGUE
 VOLTAGE _____
 SEE DETAILS IN CATALOGUE
 SCREW AND GASKET _____

1= NBR PROFILE GASKET & SCREW
 2= NBR FLAT GASKET & SCREW
 3= WHITE SILICON PROFILE GASKET & SCREW
 4= WHITE SILICON FLAT GASKET & SCREW
 A= NBR PROFILE GASKET & SCREW +2mm
 B= NBR FLAT GASKET & SCREW +2mm
 P= SCREW WITH GROMMET (IP67) &
 NBR INTEGRATED GASKET ASSEMBLED

NON STANDARD COMPONENTS
 14= PACKED IN NEUTRAL BAG
 23= FULLY MOUNTED
 54= WITH PIN 3 AS EARTH
 65= SPECIAL GROMMET
 67= NEUTRAL PACKAGING
 84= TAMPO PRINTING ON DIODE
 3F= 24DC W/O TAMPO PRINTING
 5J= BOXES OF 100
 5N= PACKED IN BOXES OF 200
 6U= GI BY500-800 DIODE
 AF= CENTRE SCREW MOUNTED
 AG= DIODE IN4948
 P7= IP67 COMPLIANT
 SA= UL LISTED PART
 CZ= GROMMET 4 DISCRETE WIRES



ITEM	DESCRIPTION
1	SCREW
2	COVER ASSEMBLY
3	PCB
4	INSERT ASSEMBLY
5	GASKET



NOTES

- PLEASE SEE EXCEL SHEET 1210640002_PDP FOR CURRENTLY CONFIGURED PART NUMBERS.
 FOR SPECIFIC PART NUMBERS PLEASE CONTACT SALES OR CONSULT THE INTELLIGENT PART NUMBER ON THE TOP LEFT OF THIS PAGE.
- EARTH POSITION SHOWN, H12.
- FOR PACKAGING SEE PACKAGING SPEC PK-121064-S18
- PRODUCT SPEC: SEE PS-121201-001

LAST INSPECTION NUMBER 2

2016/12/16		2016/12/22		GENERAL TOLERANCES (UNLESS SPECIFIED)		DIMENSION UNITS		SCALE		molex	
AE		REV		4 PLACES ±		MM		1.5:1			
EC NO: 108491		CHKD: STGRIFFIN		ANGULAR TOL ±		DRWN BY		DATE		S18 SERIES INTERNAL THREAD	
DRWN: TCLEARY		APPR: STGRIFFIN		3 PLACES ±		BCAFFREY		2016/04/11			
REV		APPR		2 PLACES ± 0.1		CHK'D BY		DATE		PRODUCT CUSTOMER DRAWING	
AE		STGRIFFIN		1 PLACE ± 0.2		TCLEARY		2016/12/16			
REV		APPR		0 PLACES ±		APPR BY		DATE		SERIES	
AE		STGRIFFIN		DRAFT WHERE APPLICABLE MUST REMAIN WITHIN DIMENSIONS		STGRIFFIN		2016/04/12		121064	
REV		APPR		A2		DRAWING SIZE		THIRD ANGLE PROJECTION		MATERIAL NUMBER	
AE		STGRIFFIN		A2		A2		THIRD ANGLE PROJECTION		SEE 1210640002_PDP	
REV		APPR		A2		A2		THIRD ANGLE PROJECTION		CUSTOMER	
AE		STGRIFFIN		A2		A2		THIRD ANGLE PROJECTION		GENERAL MARKET	
REV		APPR		A2		A2		THIRD ANGLE PROJECTION		DOCUMENT NUMBER	
AE		STGRIFFIN		A2		A2		THIRD ANGLE PROJECTION		SD-121064-002	
REV		APPR		A2		A2		THIRD ANGLE PROJECTION		DOC TYPE	
AE		STGRIFFIN		A2		A2		THIRD ANGLE PROJECTION		PSD	
REV		APPR		A2		A2		THIRD ANGLE PROJECTION		DOC PART	
AE		STGRIFFIN		A2		A2		THIRD ANGLE PROJECTION		000	
REV		APPR		A2		A2		THIRD ANGLE PROJECTION		SHEET NUMBER	
AE		STGRIFFIN		A2		A2		THIRD ANGLE PROJECTION		1 OF 1	

X-ON Electronics

Largest Supplier of Electrical and Electronic Components

Click to view similar products for [Circular DIN Connectors](#) category:

Click to view products by [Molex](#) manufacturer:

Other Similar products are found below :

[60KD4M](#) [M83723/76W22326](#) [M83723/78R22327](#) [D38999/26FE99SN L/C](#) [75-190224-28S](#) [7547401103P](#) [75-474014-07L](#) [88-559975-75P](#)
[8R3006A18M0033](#) [PT02E1283P](#) [GTC00G-24-7S](#) [PT05E2255PW](#) [PT05SE1832SWLC](#) [PT05SE1832SYLC](#) [GTC030-20-27PW-LC](#)
[GTC030A-20-33S](#) [PT06SE1811SXLC](#) [1211290078](#) [1211810025](#) [1210120122](#) [ACC06AF-20-23P\(003\)](#) [1210503216](#) [1211290084](#)
[1211500027](#) [ACS06AF-16-10P\(003\)](#) [D38999/40FB35AN](#) [D38999/40FB35BB](#) [D38999/40WB35BN](#) [D38999/40WD35PN](#)
[D38999/40WJ29SN-L/C](#) [D38999/40WJ4BN](#) [D38999/42FB35BN](#) [D38999/42WB35AB](#) [D38999/42WB35PB-L/C](#) [D38999/42WJ19AN](#)
[D38999/44WB35AN](#) [D38999/44WD35BN](#) [D38999/44WH21AN](#) [D38999/44WH35AN](#) [D38999/44WJ29BA](#) [D38999/44WJ35PN](#)
[D38999/44WJ61BA](#) [D38999/46FB35AC](#) [D38999/46FB35BN](#) [D38999/46FB35SA-L/C](#) [D38999/46FB99BA](#) [D38999/46FB99BN](#)
[D38999/46FJ19SA-L/C](#) [D38999/46FJ29AA](#) [D38999/46FJ29AN](#)