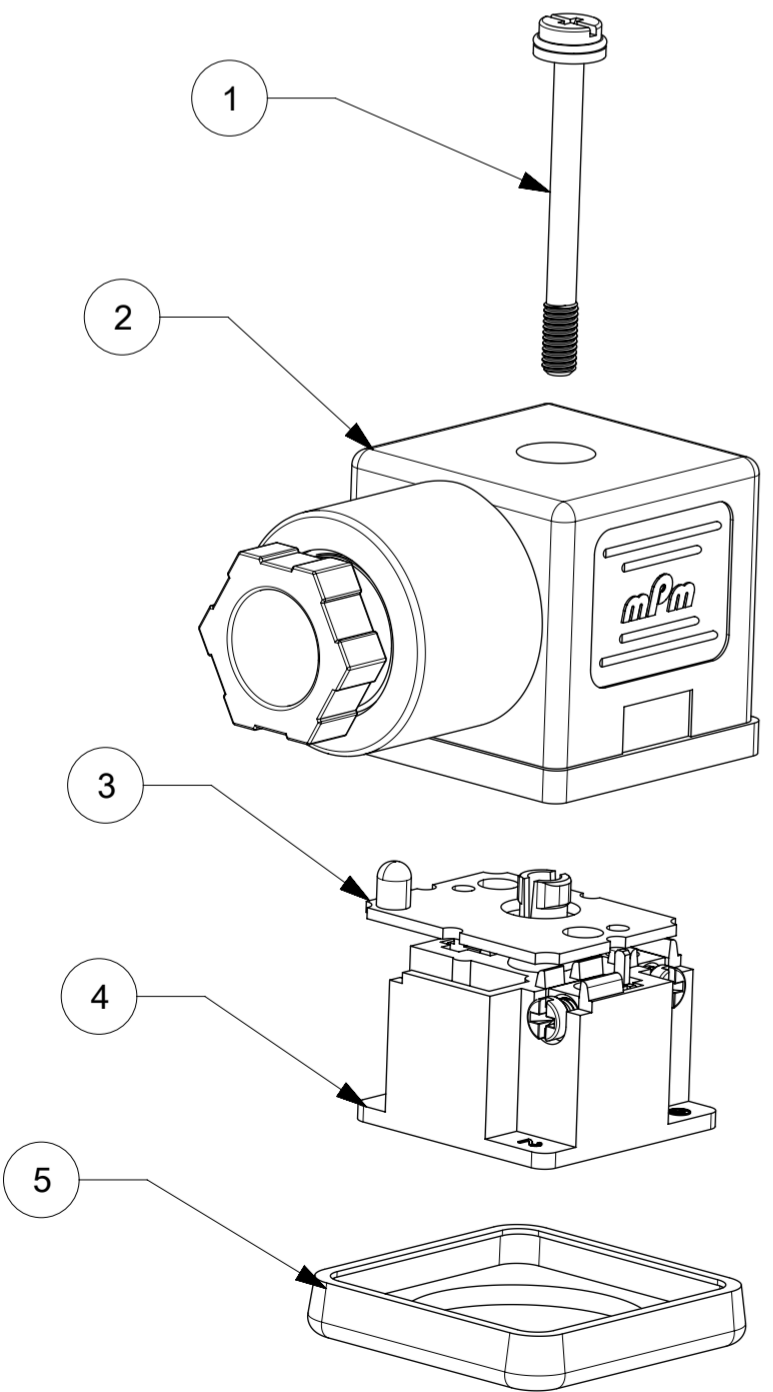


S18 3 09 T A1 2 2 **

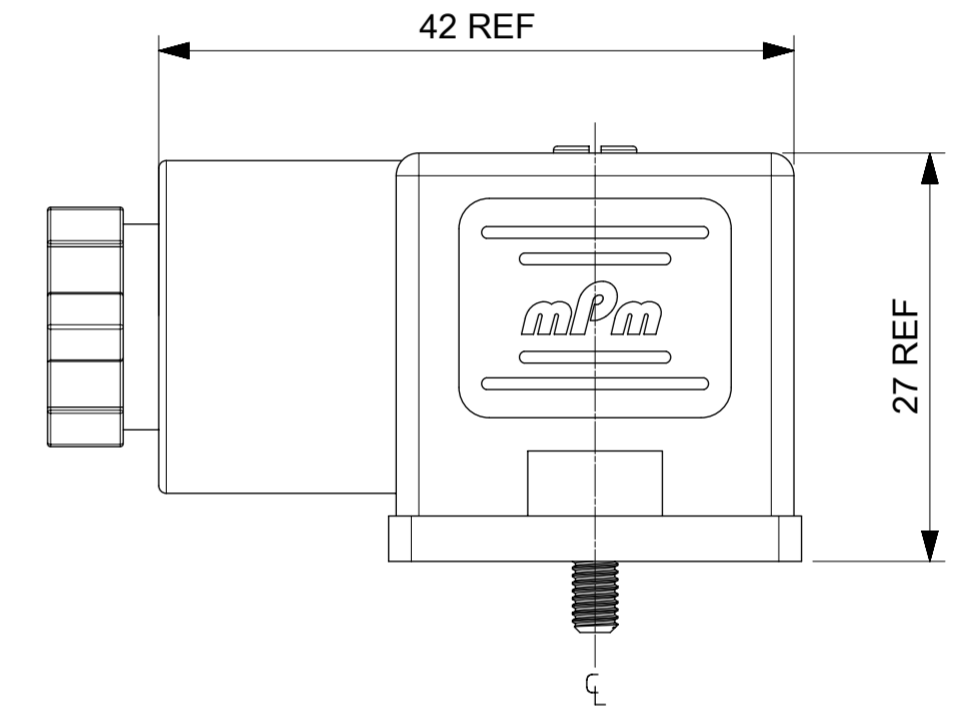
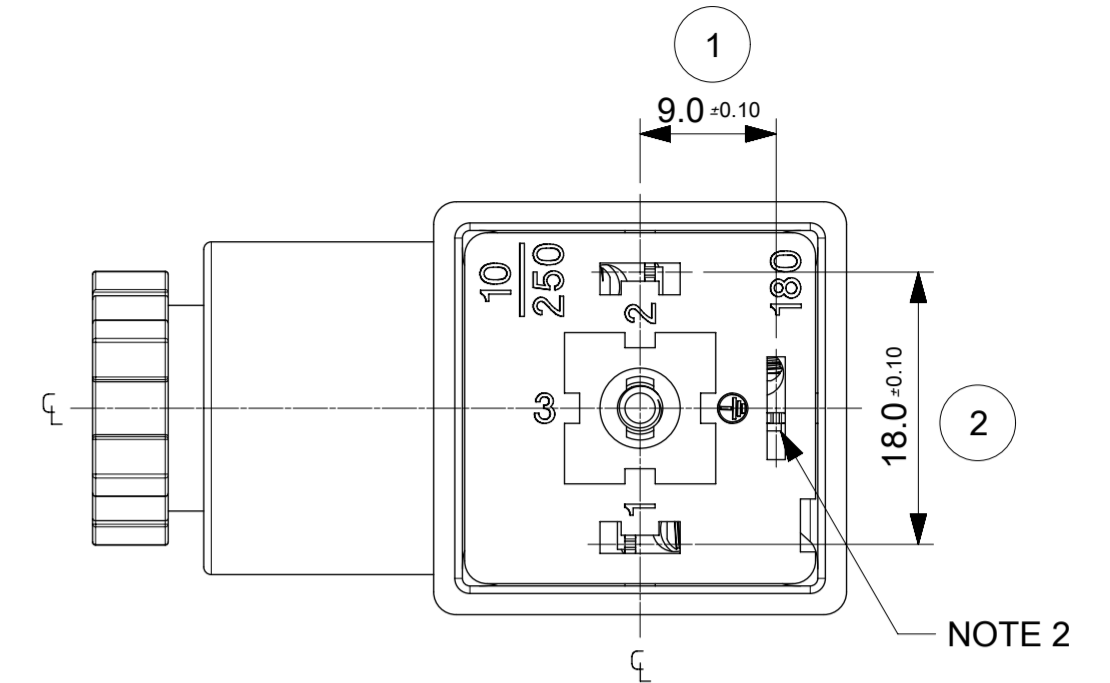
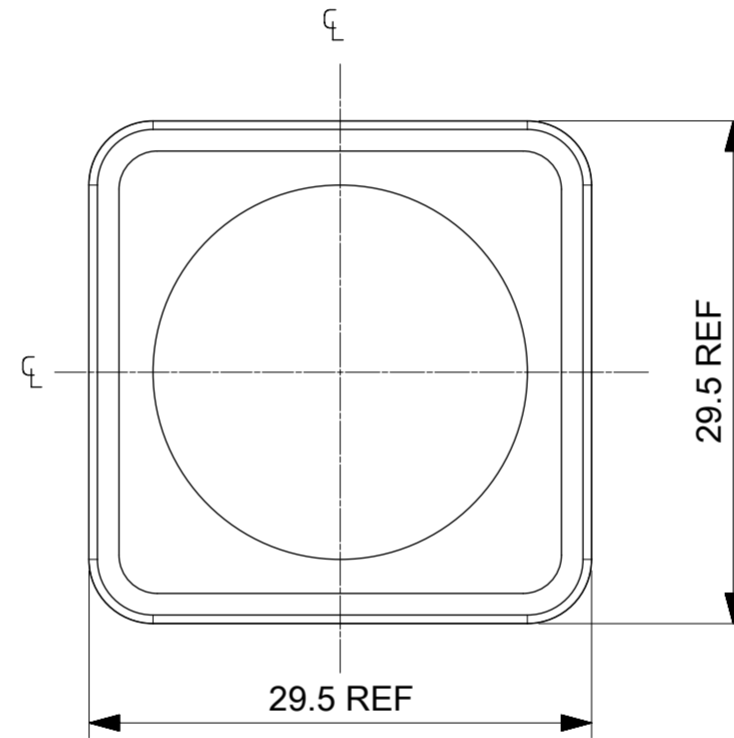
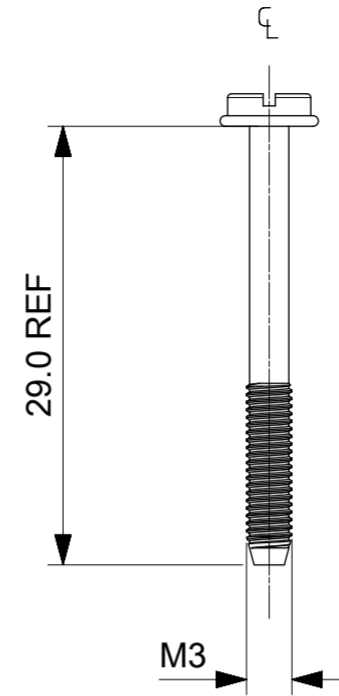
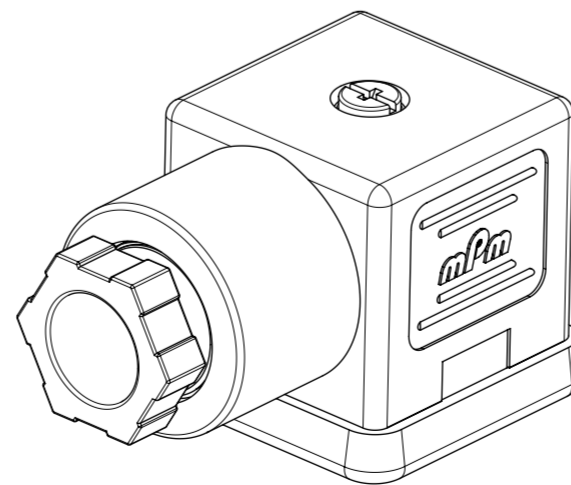
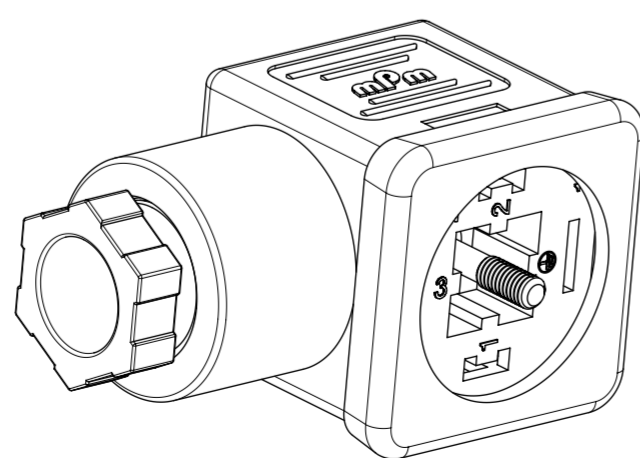
SERIES _____
 S18= INTERNAL THREAD FORM A
 POLES _____
 2= 2 POLE & 3= 3 POLE
 THREAD _____
 09= PG9, 11= PG11, M6=M16x1.5, M0= M20x1.5, 12= 1/2" GAS 13= 1/2" NPTF
 MATERIAL AND HOUSING COLOUR _____
 G= PA6 GRAY, N= PA6 BLACK, W= PA6 BLACK V0, T= PA12 TRANSPARENT,
 B= PA6 WHITE
 CIRCUIT _____
 SEE DETAILS IN CATALOGUE
 VOLTAGE _____
 SEE DETAILS IN CATALOGUE
 SCREW AND GASKET _____

1= NBR PROFILE GASKET & SCREW
 2= NBR FLAT GASKET & SCREW
 3= WHITE SILICON PROFILE GASKET & SCREW
 4= WHITE SILICON FLAT GASKET & SCREW
 A= NBR PROFILE GASKET & SCREW +2mm
 B= NBR FLAT GASKET & SCREW +2mm
 P= SCREW WITH GROMMET (IP67) &
 NBR INTEGRATED GASKET ASSEMBLED

NON STANDARD COMPONENTS
 14= PACKED IN NEUTRAL BAG
 23= FULLY MOUNTED
 54= WITH PIN 3 AS EARTH
 65= SPECIAL GROMMET
 67= NEUTRAL PACKAGING
 84= TAMPO PRINTING ON DIODE
 3F= 24DC W/O TAMPO PRINTING
 5J= BOXES OF 100
 5N= PACKED IN BOXES OF 200
 6U= GI BY500-800 DIODE
 AF= CENTRE SCREW MOUNTED
 AG= DIODE IN4948
 P7= IP67 COMPLIANT
 SA= UL LISTED PART
 CZ= GROMMET 4 DISCRETE WIRES



ITEM	DESCRIPTION
1	SCREW
2	COVER ASSEMBLY
3	PCB
4	INSERT ASSEMBLY
5	GASKET



NOTES

- PLEASE SEE EXCEL SHEET 1210640002_PDP FOR CURRENTLY CONFIGURED PART NUMBERS.
 FOR SPECIFIC PART NUMBERS PLEASE CONTACT SALES OR CONSULT THE INTELLIGENT PART NUMBER ON THE TOP LEFT OF THIS PAGE.
- EARTH POSITION SHOWN, H12.
- FOR PACKAGING SEE PACKAGING SPEC PK-121064-S18
- PRODUCT SPEC: SEE PS-121201-001

LAST INSPECTION NUMBER 2

2016/12/16		2016/12/22		GENERAL TOLERANCES (UNLESS SPECIFIED)		DIMENSION UNITS		SCALE		molex	
AE		REV		4 PLACES ±		MM		1.5:1			
EC NO: 108491		CHKD: STGRIFFIN		3 PLACES ±		DRWN BY		DATE		S18 SERIES INTERNAL THREAD	
DRWN: TCLEARY		APPR: STGRIFFIN		2 PLACES ± 0.1		BCAFFREY		2016/04/11			
DRWING SIZE		THIRD ANGLE PROJECTION		1 PLACE ± 0.2		CHK'D BY		DATE		PRODUCT CUSTOMER DRAWING	
A2		THIRD ANGLE PROJECTION		0 PLACES ±		TCLEARY		2016/12/16			
DRAFT WHERE APPLICABLE MUST REMAIN WITHIN DIMENSIONS		DRAWING SIZE		SERIES		MATERIAL NUMBER		CUSTOMER		GENERAL MARKET	
		A2		121064		SEE 1210640002_PDP					
				DOCUMENT NUMBER		DOC TYPE		DOC PART		SHEET NUMBER	
				SD-121064-002		PSD		000		1 OF 1	

X-ON Electronics

Largest Supplier of Electrical and Electronic Components

Click to view similar products for [Circular DIN Connectors](#) category:

Click to view products by [Molex](#) manufacturer:

Other Similar products are found below :

[60KD4M](#) [CTVP00RW-19-32S\(506\)](#) [M83723/76W22326](#) [M83723/78R22327](#) [D38999/26FE99SN L/C](#) [7547401103P](#) [75-474014-07L](#) [88-559975-75P](#) [8R3006A18M0033](#) [PT02E1283P](#) [GTC00G-24-7S](#) [PT05A-14-5SX](#) [PT05A1832SW](#) [PT05E2255PW](#) [PT05SE1832SWLC](#) [PT05SE1832SYLC](#) [GTC030-20-27PW-LC](#) [GTC030A-20-33S](#) [PT06SE1811SXLC](#) [1211290078](#) [1211810025](#) [1210120122](#) [ACC06AF-20-23P\(003\)](#) [1210503216](#) [1211290084](#) [1211500027](#) [ACS06AF-16-10P\(003\)](#) [D38999/40FB35AN](#) [D38999/40FB35BB](#) [D38999/40WB35BN](#) [D38999/40WD35PN](#) [D38999/40WJ29SN-L/C](#) [D38999/40WJ4BN](#) [D38999/42FB35BN](#) [D38999/42WB35AB](#) [D38999/42WB35PB-L/C](#) [D38999/42WJ19AN](#) [D38999/42WJ24PN-L/C](#) [D38999/44WB35AN](#) [D38999/44WD35BN](#) [D38999/44WH21AN](#) [D38999/44WH35AN](#) [D38999/44WJ29BA](#) [D38999/44WJ35PN](#) [D38999/44WJ61BA](#) [D38999/46FB35AC](#) [D38999/46FB35BN](#) [D38999/46FB35SA-L/C](#) [D38999/46FB99BA](#) [D38999/46FB99BN](#)