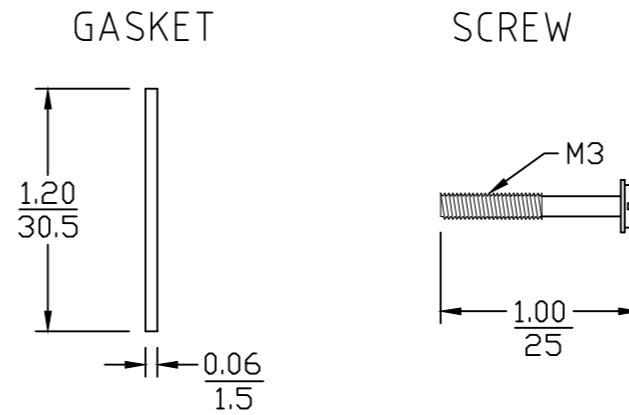


PART NUMBER	ENGINEERING NUMBER	FINISH LENGTH
1211810021	E130B4A23M005	1 FT 8 IN [0.5M]
1211810022	E130B4A23M010	3 FT 3 IN [1M]
1211810023	E130B4A23M020	6 FT 7 IN [2M]
1211810024	E130B4A23M030	9 FT 10 IN [3M]
1211810025	E130B4A23M050	16 FT 5 IN [5M]

DIN ACCESSORIES



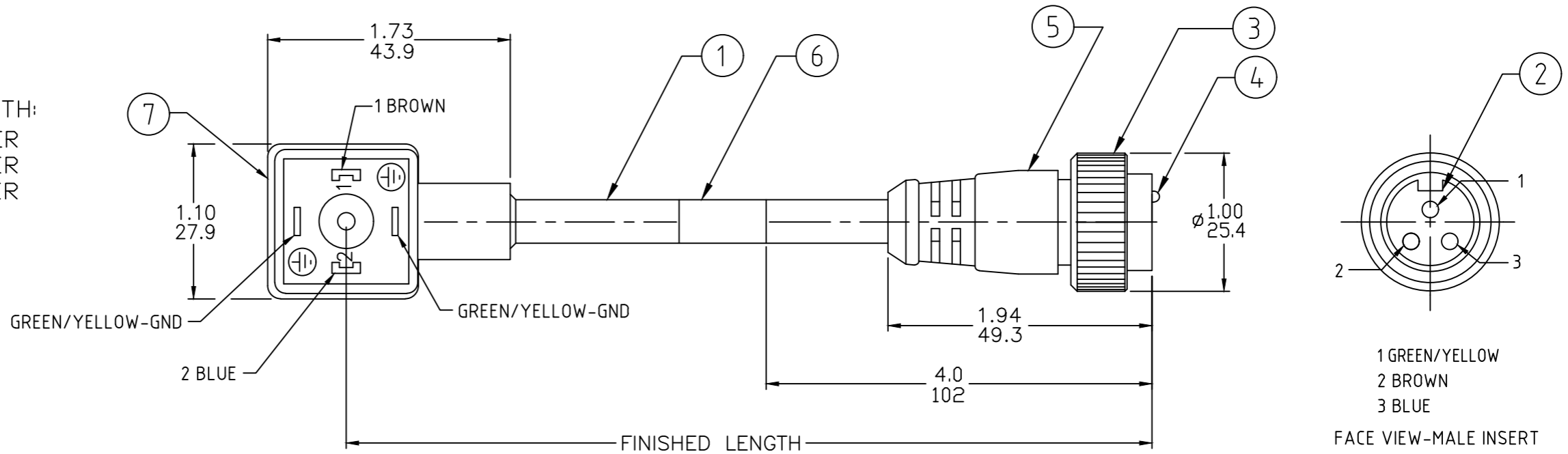
CABLE LENGTH TOLERANCES

>.3M [1FT]:	+19mm-0 [+ .75in-0]
.3 - .9M [1 - 3FT]:	+44.5mm-0 [+1.75in-0]
.9 - 1.8M [3 - 6FT]:	+55.6mm-0 [+2.19in-0]
1.8 - 3.7M [6 - 12FT]:	+88.9mm-0 [+3.50in-0]
3.7 - 7.3M [12 - 24FT]:	+165.1mm-0 [+6.50in-0]
7.3-14.6M [24 - 48FT]:	+317.5mm-0 [+12.50in-0]
14.6 - 30.5M [48-100FT]:	+622.3mm-0 [+24.50in-0]
OVER 30M [100FT]	+2% OF FINISHED LENGTH

PART NUMBER LEGEND

E130B4A23M010

FINISHED LENGTH:
M005= 0.5 METER
M010= 1.0 METER
M100= 10 METER



NOTES:

1. MATERIAL: AS NOTED
2. FINISH: AS NOTED
3. ELECTRICAL:
VOLTAGE: 24V, 5A
4. TEMP RATING (DYNAMIC): -15°C TO +70°C (B)
5. PROTECTION: IP65 (WHEN MATED)
6. COUPLING THREAD: 7/8-16UN
7. ALL DIMS ARE FOR REFERENCE UNLESS NOTED OR TOLERANCED OTHERWISE

ITEM	DESCRIPTION	MATERIAL	FINISH
7	DIN CONNECTOR	PVC	BLACK
6	WRAP LABEL	VINYL	BLACK/YELLOW
5	OVERMOLD	TPE	YELLOW
4	CONTACT PIN	COPPER ALLOY	GOLD PLATED
3	COUPLING, FEMALE	ZINC DIE-CAST	BLACK
2	MALE INSERT (A-SIZE)	TPE	YELLOW
1	CABLE 3X0.75MM ² (18AWG)	PVC JACKET	BLACK

FUNCTIONAL SYMBOLS	THIS DRAWING CONTAINS INFORMATION THAT IS PROPRIETARY TO MOLEX ELECTRONIC TECHNOLOGIES, LLC AND SHOULD NOT BE USED WITHOUT WRITTEN PERMISSION	
	DIMENSION UNITS	SCALE
$F_A=0$	INCH/MM	1:1
$F_C=0$	GENERAL TOLERANCES (UNLESS SPECIFIED)	
$F_P=0$	mm	INCH
DIVISIONAL SYMBOLS	4 PLACES	±----
	3 PLACES	±----
	2 PLACES	±----
	1 PLACE	±----
	0 PLACES	±----
	ANGULAR TOL ± ---- °	
DRAFT WHERE APPLICABLE MUST REMAIN WITHIN DIMENSIONS		THIRD ANGLE PROJECTION
		DRAWING B-SIZE
		SERIES 121181
CURRENT REV DESC: UPDATE DOC LINKS, P/N LEGEND O-MOLD & INSERT WAS PVC, UPDATE NOTES		EC NO: 641840
		DRWN: RSTONE 2020/06/02
		CHK'D: MZIELINSKI 2020/07/20
		APPR: BWOODMAN 2020/07/28
INITIAL REVISION:		
DRWN: JCAPPOZZ 2019/02/26		
APPR: BWOODMAN 2019/03/12		
DOCUMENT NUMBER		DOC TYPE/DOC PART/REVISION
SD-121181-003		PSD 001 B
MATERIAL NUMBER	CUSTOMER	SHEET NUMBER
	GENERAL MARKET	1 OF 1

X-ON Electronics

Largest Supplier of Electrical and Electronic Components

Click to view similar products for [Sensor Cables / Actuator Cables](#) category:

Click to view products by [Molex](#) manufacturer:

Other Similar products are found below :

[1300070444](#) [43-10984](#) [M83513/19-F01CP](#) [704000D02F120](#) [MDM15SH001K](#) [MDM25PH003BF222](#) [802027107404-1](#) [885030A09M010](#)
[885030A09M020](#) [1200650174](#) [1200651332](#) [1200651713](#) [1200660171](#) [1200660208](#) [1200660343](#) [1200660804](#) [1200660845](#) [1200660926](#)
[1200660977](#) [1200661173](#) [1200661354](#) [120066-1712](#) [1200720053](#) [1200720099](#) [1200720153](#) [1200720172](#) [1200720217](#) [1200720226](#)
[1200720251](#) [1200720285](#) [1200720296](#) [1200720404](#) [1200720537](#) [1200730148](#) [1200730378](#) [1200800231](#) [1200860112](#) [1200860121](#)
[1200860125](#) [1200860337](#) [1200860365](#) [1200860420](#) [1200870046](#) [1200870123](#) [1200870248](#) [1200980102](#) [1200660181](#) [1200660183](#)
[1200660827](#) [1200660849](#)