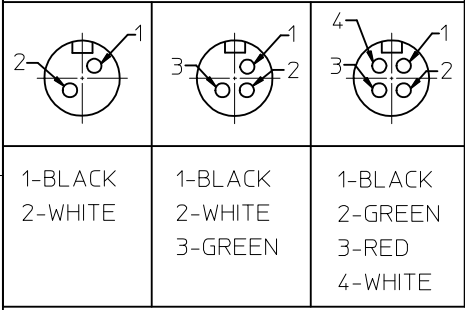
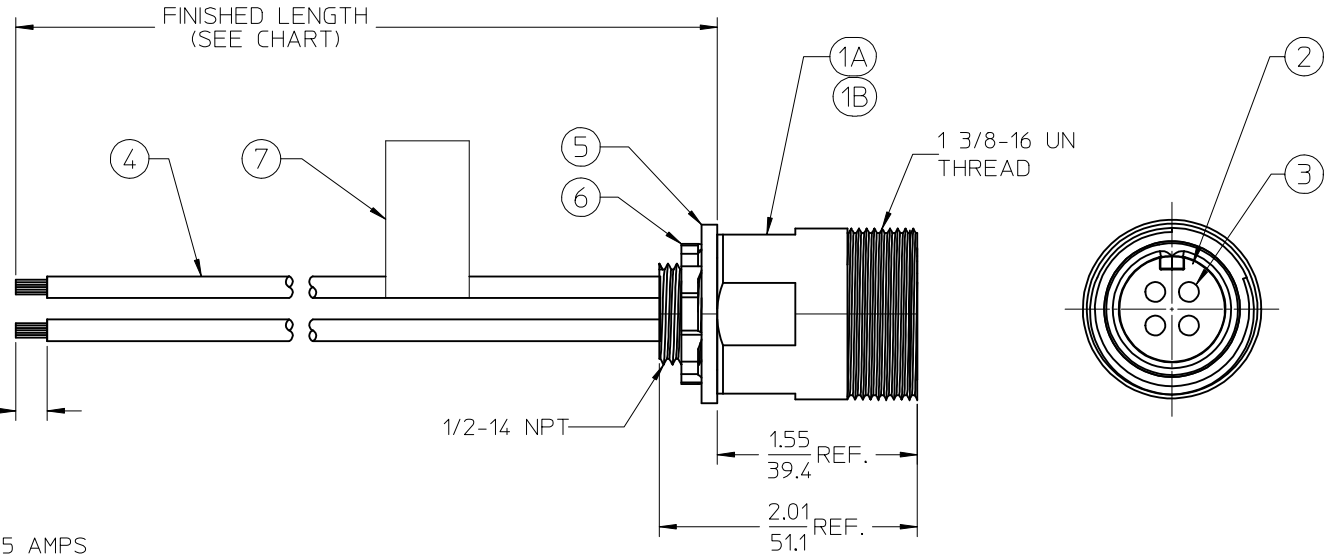


MALE FACE VIEW



1-BLACK 2-WHITE	1-BLACK 2-WHITE 3-GREEN	1-BLACK 2-GREEN 3-RED 4-WHITE
--------------------	-------------------------------	--

POLES	MATERIAL NO.	ENGINEERING NO.	FINISHED LENGTH
2	1300030008	32017	12.00 +.75-0 (305mm +19mm-0)
3	1300030023	32317	12.00 +.75-0 (305mm +19mm-0)
4	1300030048	32632	12.00 +.75-0 (305mm +19mm-0)



- NOTES:
1. MATERIAL: SEE TABLE
 2. FINISHES: SEE TABLE
 3. ELECTRICAL SPECIFICATIONS
VOLTAGE RATING: 600V AC/DC
CURRENT RATING: 2P-18 AMPS, 3P-18 AMPS, 4P-15 AMPS
 4. XX REFERS TO POLE COUNT
 5. PROTECTION: IP67
 6. ASSEMBLY IS RoHS COMPLIANT BY EXEMPTION

7	1	FLAG LABEL	VINYL	BLACK/YELLOW
6	1	LOCKNUT	STEEL	ZINC PLATED
5	1	GASKET	NEOPRENE	BLACK
4	XX	WIRE, 14 AWG, UL 1015	PVC INSULATION	SEE FACE VIEW
3	XX	CONTACT PIN	Cu ALLOY	UN-PLATED
2	1	INSERT	RUBBER	YELLOW
1B	1	RECEPTACLE SHELL	OPT: ALUMINUM	CLEAR ANODIZE
1A	1	RECEPTACLE SHELL	NYLON	BLACK
ITEM	QTY.	DESCRIPTION	MATERIAL	FINISH

UPDATED RECEPT SHELL
 EC NO: IPG2016-0945
 /DRAWINGGUSTAFSON 2015/12/29
 CHKD:YOU 2016/05/16
 APPR:BMOODMAN 2016/05/27

QUALITY SYMBOLS
 ▼=0
 ▽=0

GENERAL TOLERANCES (UNLESS SPECIFIED)

	mm	INCH
4 PLACES	± .005	± .0005
3 PLACES	± .01	± .001
2 PLACES	± .02	± .002
1 PLACE	± .05	± .005
0 PLACE	± .10	± .010

ANGULAR ± 2°
 DRAFT WHERE APPLICABLE
 MUST REMAIN WITHIN DIMENSIONS

DIMENSION STYLE
 IN/MM

DRAWN BY DATE
 RSTONE 2012/11/28

CHECKED BY DATE
 K. JOZWIK 2013/01/16

APPROVED BY DATE
 JFMURPHY 2013/03/01

MATERIAL NO.
 SEE CHART

SIZE
 B

SCALE 1:1 DESIGN UNITS INCH

THIRD ANGLE PROJECTION

TITLE
QUICK CHANGE RECEPTACLE MALE 2-3 POLE, 14 AWG

molex

DOCUMENT NO. SD-130003-003 SHEET NO. 1 OF 1

THIS DRAWING CONTAINS INFORMATION THAT IS PROPRIETARY TO MOLEX INCORPORATED AND SHOULD NOT BE USED WITHOUT WRITTEN PERMISSION

X-ON Electronics

Largest Supplier of Electrical and Electronic Components

Click to view similar products for [AC Power Leads](#) category:

Click to view products by [Molex](#) manufacturer:

Other Similar products are found below :

[62500-1774](#) [1300000023](#) [312033-01](#) [YP-61+YC12](#) [P28818-M2](#) [YP21A+YC13](#) [FTP-629Y603](#) [1702002600](#) [1700001947](#) [J2014004L001-CC](#)
[SHELF](#) [IL13-EU1-H05-3100-300-S](#) [P28976-M45](#) [BB-3271V86](#) [W-98452](#) [W-98453](#) [MWOC-PCA-3-3-2](#) [P29844-M5](#) [P29844-M10](#) [3-100-](#)
[354](#) [W-99245](#) [W-99246](#) [W-99249](#) [W-99251](#) [W-99252](#) [W-99253](#) [W-99254](#) [W-99257](#) [W-99260](#) [W-99261](#) [W-99262](#) [W-99265](#) [W-99267](#) [W-](#)
[99269](#) [W-99270](#) [W-99272](#) [W-99280](#) [W-99282](#) [S144720002](#) [S002020062](#) [S007220315](#) [S007220344](#) [S007220303](#) [S007220307](#) [P28818-M6](#)
[1019123](#) [387005324](#) [59903000000](#) [VL-0136-14-200](#) [387007040](#) [387006821](#)