

PLEASE CHECK WWW.MOLEX.COM FOR LATEST PART INFORMATION

Part Number: [1300030051](#)
Status: **Active**
Overview: [Brad Quick-Change Connectors](#)
Description: Quick-Change Receptacle, 4 Pole, 1/2" - 14 NPT, Male (Straight) to 12 AWG Leads, 0.30m (11.81") Length

Documents:

[Drawing \(PDF\)](#) [RoHS Certificate of Compliance \(PDF\)](#)

Agency Certification

CSA LR6837
 UL E46237

General

Product Family Industrial Receptacles
 Series [130003](#)
 IP Rating IP67
 Overview [Brad Quick-Change Connectors](#)
 Product Name Quick-Change
 Type Single Ended (pigtail)
 UPC 78678832680

Physical

Coupling Type External Thread
 Gender Male
 Keyway Single
 Length 0.305m
 Material - Component Nylon
 Mounting Thread Size 1/2" - 14 NPT
 Net Weight 421.000/g
 Orientation Straight
 Panel Mount Front
 Poles 4
 Temperature Range - Operating -20° to +105°C
 Wire Size AWG 12
 Wire/Cable Type UL 1015

Electrical

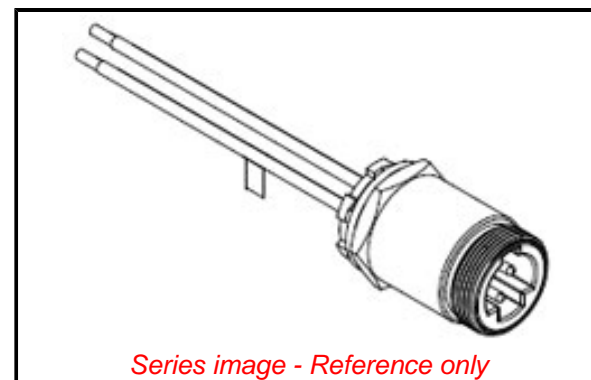
Current - Maximum per Contact 20.0A
 Voltage - Maximum 600V AC/DC

Material Info

Engineering Number 32680

Reference - Drawing Numbers

Sales Drawing SD-130003-004-001



Series image - Reference only

EU ELV

Not Relevant

EU RoHS

Compliant with Exemption 6(c)

REACH SVHC

Not Reviewed

Halogen-Free

Status

Not Reviewed

For more information, please visit [Contact US](#)

China ROHS

ELV

RoHS Phthalates

ZZCERT_CE -

Declaration of

Conformity

China RoHS

50 Image

Not Relevant

Not Contained

CER_4000380967_00_000.pdf

Search Parts in this Series

[130003 Series](#)

X-ON Electronics

Largest Supplier of Electrical and Electronic Components

Click to view similar products for [AC Power Leads](#) category:

Click to view products by [Molex](#) manufacturer:

Other Similar products are found below :

[62500-1774](#) [1300000023](#) [312033-01](#) [YP-61+YC12](#) [P28818-M2](#) [YP21A+YC13](#) [FTP-629Y603](#) [1702002600](#) [1700001947](#) [J2014004L001-CC](#)
[SHELF](#) [IL13-EU1-H05-3100-300-S](#) [P28976-M45](#) [BB-3271V86](#) [W-98452](#) [W-98453](#) [MWOC-PCA-3-3-2](#) [P29844-M5](#) [P29844-M10](#) [3-100-](#)
[354](#) [W-99245](#) [W-99246](#) [W-99249](#) [W-99251](#) [W-99252](#) [W-99253](#) [W-99254](#) [W-99257](#) [W-99260](#) [W-99261](#) [W-99262](#) [W-99265](#) [W-99267](#) [W-](#)
[99269](#) [W-99270](#) [W-99272](#) [W-99280](#) [W-99282](#) [S144720002](#) [S002020062](#) [S007220315](#) [S007220344](#) [S007220303](#) [S007220307](#) [P28818-M6](#)
[1019123](#) [387005324](#) [59903000000](#) [VL-0136-14-200](#) [387007040](#) [387006822](#)