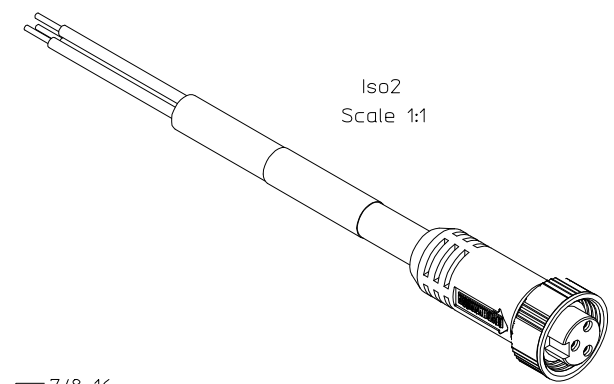
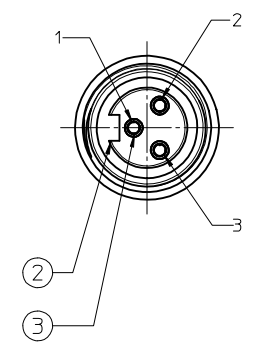
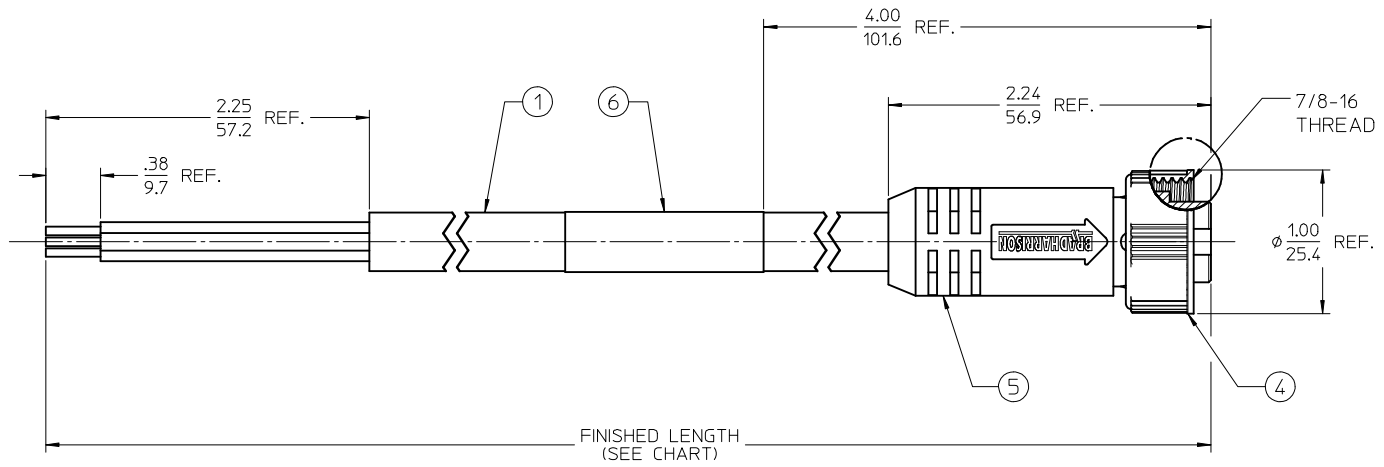


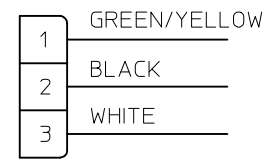
MATERIAL NO.	ENGINEERING NO.	FINISHED LENGTH
1300060219	103000A01F0302	3.00 FT +1.75/-0 IN (9M +44.5/-0mm)
1300060223	103000A01F0602	6.00 FT +3.50/-0 IN (1.8M +88.9/-0mm)
1300060234	103000A01F1202	12.00 FT +6.50/-0 IN (3.7M +165.1/-0mm)
1300060239	103000A01F1502	15.00 FT +6.50/-0 IN (4.6M +165.1/-0mm)
1300060243	103000A01F2002	20.00 FT +6.50/-0 IN (6.1M +165.1/-0mm)
1300060248	103000A01F2502	25.00 FT +12.50/-0 IN (7.6M +317.5/-0mm)



Iso2  
Scale 1:1



FEMALE FACE VIEW



WIRING DIAGRAM

NOTES:

1. MATERIAL: SEE TABLE
2. FINISHES: SEE TABLE
3. ELECTRICAL SPECIFICATIONS  
VOLTAGE RATING: 600V AC/DC  
CURRENT RATING: 13 AMPS
4. PROTECTION: IP67
5. ASSEMBLY IS RoHS COMPLIANT BY EXEMPTION

ITEM	QTY.	DESCRIPTION	MATERIAL	FINISH
6	1	WRAP LABEL	VINYL	BLACK/YELLOW
5	1	OVERMOLD	PVC	YELLOW
4	1	COUPLING NUT	NYLON	GRAY
3	3	CONTACT SOCKET	Cu ALLOY	GOLD PLATED
2	1	INSERT	PVC	YELLOW
1	A/R	CABLE, 16/3, ST00W	PVC JACKET	YELLOW

<b>NEW SALES DOC</b> EC NO: IPG2013-0795 DRAWNRSTONE 2012/11/28 CHKDK: JOZWIK 2013/01/16 APPR: JF MURPHY 2013/03/01	QUALITY SYMBOLS	GENERAL TOLERANCES (UNLESS SPECIFIED)	DIMENSION STYLE	SCALE	DESIGN UNITS	THIRD ANGLE PROJECTION																															
	$\nabla=0$ $\nabla=0$	<table border="1"> <thead> <tr> <th></th> <th>mm</th> <th>INCH</th> </tr> </thead> <tbody> <tr> <td>4 PLACES</td> <td>± .005</td> <td>± .0005</td> </tr> <tr> <td>3 PLACES</td> <td>± .005</td> <td>± .0005</td> </tr> <tr> <td>2 PLACES</td> <td>± .005</td> <td>± .0005</td> </tr> <tr> <td>1 PLACE</td> <td>± 0.3</td> <td>± .012</td> </tr> <tr> <td>0 PLACE</td> <td>± .005</td> <td>± .0005</td> </tr> </tbody> </table>		mm	INCH	4 PLACES	± .005	± .0005	3 PLACES	± .005	± .0005	2 PLACES	± .005	± .0005	1 PLACE	± 0.3	± .012	0 PLACE	± .005	± .0005	<table border="1"> <thead> <tr> <th>DRAWN BY</th> <th>DATE</th> </tr> </thead> <tbody> <tr> <td>RSTONE</td> <td>2012/11/28</td> </tr> <tr> <th>CHECKED BY</th> <th>DATE</th> </tr> <tr> <td>K. JOZWIK</td> <td>2013/01/16</td> </tr> <tr> <th>APPROVED BY</th> <th>DATE</th> </tr> <tr> <td>JFMURPHY</td> <td>2013/03/01</td> </tr> </tbody> </table>	DRAWN BY	DATE	RSTONE	2012/11/28	CHECKED BY	DATE	K. JOZWIK	2013/01/16	APPROVED BY	DATE	JFMURPHY	2013/03/01	IN/MM	1.5:1	INCH	
		mm	INCH																																		
	4 PLACES	± .005	± .0005																																		
3 PLACES	± .005	± .0005																																			
2 PLACES	± .005	± .0005																																			
1 PLACE	± 0.3	± .012																																			
0 PLACE	± .005	± .0005																																			
DRAWN BY	DATE																																				
RSTONE	2012/11/28																																				
CHECKED BY	DATE																																				
K. JOZWIK	2013/01/16																																				
APPROVED BY	DATE																																				
JFMURPHY	2013/03/01																																				
DRAFT WHERE APPLICABLE MUST REMAIN WITHIN DIMENSIONS	ANGULAR ± 2°	MATERIAL NO. <b>SEE CHART</b>	TITLE <b>MC FEMALE CABLE ASSEMBLY</b> <b>3 POLE, 16 AWG, ST00W</b> <b>NON-METALIC COUPLING</b> 	DOCUMENT NO. <b>SD-130006-047</b>	SHEET NO. <b>1 OF 1</b>																																

## X-ON Electronics

Largest Supplier of Electrical and Electronic Components

*Click to view similar products for [Sensor Cables / Actuator Cables](#) category:*

*Click to view products by [Molex](#) manufacturer:*

Other Similar products are found below :

[60963](#) [60964](#) [703000D02F2002](#) [703001D02F0602](#) [703001D02F300](#) [704000D02F120](#) [773032K02F030](#) [802027107404-1](#) [802027213811-1](#)  
[804001A09M150](#) [805001A09M0502](#) [84914-0235](#) [84914-0237](#) [885030A09M020](#) [8R4J30E03C3003](#) [1200651332](#) [1200651713](#) [1200660844](#)  
[1200660845](#) [1200661173](#) [1200680071](#) [1200720053](#) [1200720081](#) [1200720099](#) [1200720217](#) [1200800231](#) [1200860125](#) [1200870123](#)  
[1200980102](#) [1200650267](#) [1200650298](#) [1200660183](#) [1200660782](#) [1200660849](#) [1200661295](#) [1200661297](#) [1200661342](#) [1200661343](#)  
[1200670080](#) [1200670220](#) [1200680331](#) [1200720252](#) [1200730184](#) [1200860344](#) [1200870359](#) [1200870643](#) [1200980008](#) [1200980031](#)  
[1210502211](#) [1210400542](#)