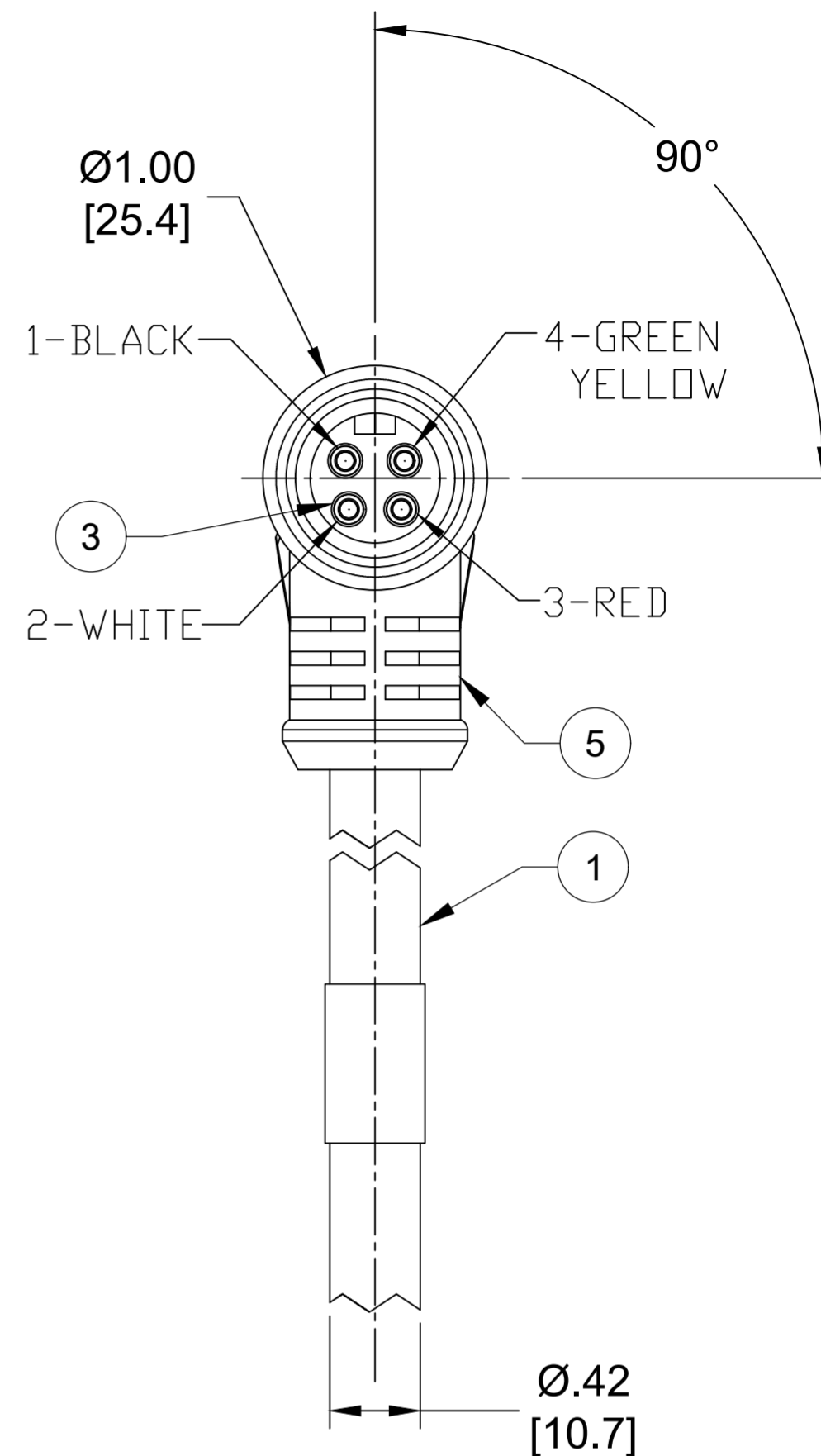
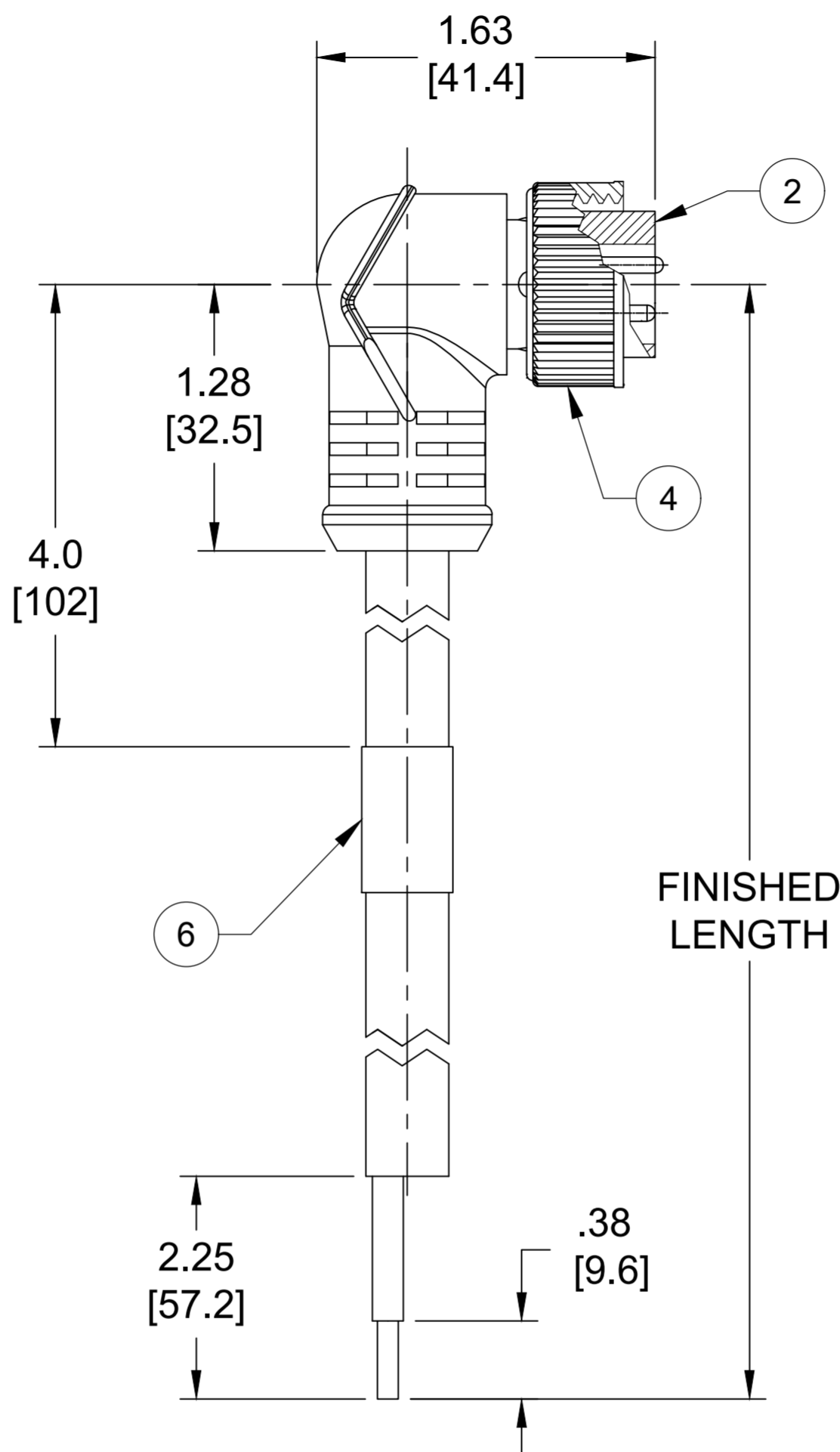
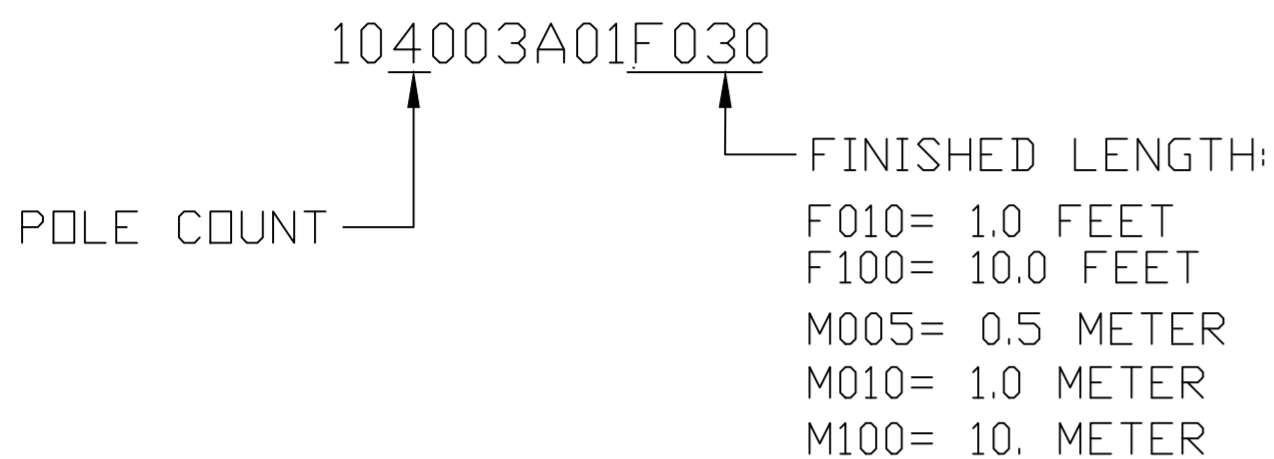


PART NO.	ENGINEERING NO.	FINISHED LENGTH
1300061105	104003A01M020	2.0M [6FT 7IN]
1300061084	104003A01F030	3.0FT [9.1M]
1300061087	104003A01F060	6.0FT [1.8M]
1300061095	104003A01F200	20.0FT [6.1M]

REF. THIS DRAWING SUPERSEDES SD-130006-035 REV-1 (A)

PART NUMBER LEGEND



- NOTES:**
- MATERIAL: AS NOTED
 - FINISH: AS NOTED
 - ELECTRICAL:
VOLTAGE: 483V PER IEC60664
600V PER UL2238
CURRENT: 10A
 - TEMP RATING: -20°TO +80°C
 - PROTECTION: IP67 (WHEN MATED)
 - COUPLING THREAD: 7/8-16UN
 - UL RECOGNIZED FILE: E152210
CSA CERTIFIED FILE: LR6837
 - ALL DIMS ARE FOR REFERENCE UNLESS TOLERANCED OR NOTED OTHERWISE

CABLE LENGTH TOLERANCES

>.3M [1FT]	: +19mm-0 [+ .75in-0]
.3 - .9M [1 - 3FT]	: +44.5mm-0 [+1.75in-0]
.9 - 1.8M [3 - 6FT]	: +55.6mm-0 [+2.19in-0]
1.8 - 3.7M [6 - 12FT]	: +88.9mm-0 [+3.50in-0]
3.7 - 7.3M [12 - 24FT]	: +165.1mm-0 [+6.50in-0]
7.3-14.6M [24 - 48FT]	: +317.5mm-0 [+12.50in-0]
14.6 - 30.5M [48-100FT]	: +622.3mm-0 [+24.50in-0]
OVER 30M [100FT]	: +2% OF FINISHED LENGTH

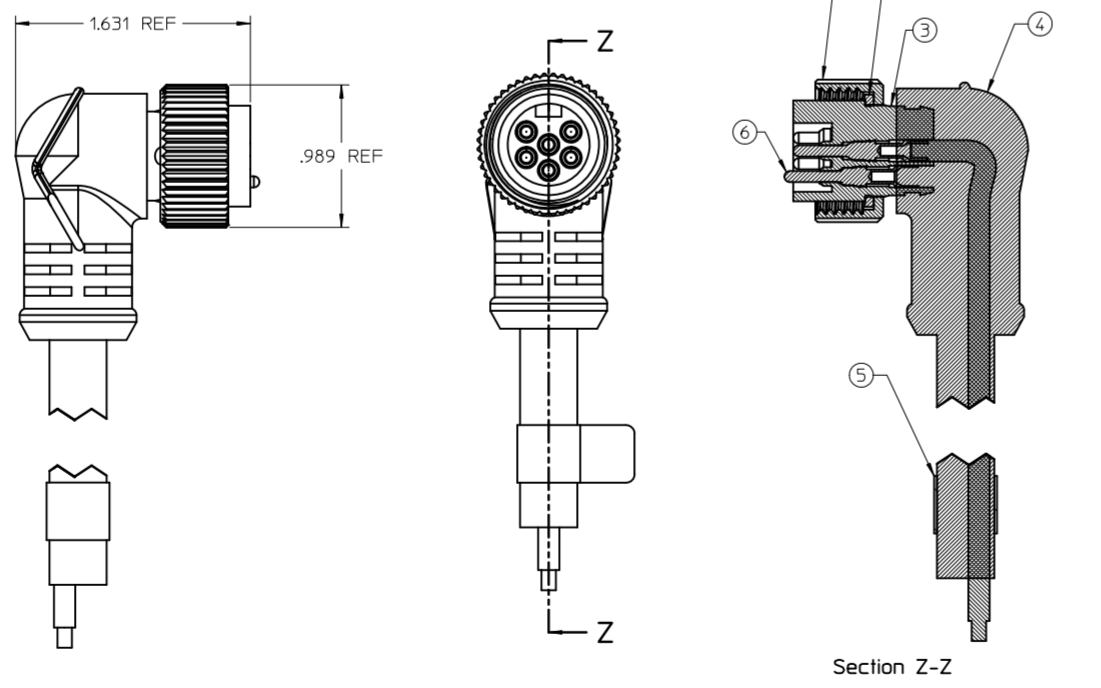
ITEM	DESCRIPTION	MATERIAL	FINISH
6	WRAP LABEL	VINYL	BLACK/YELLOW
5	OVERMOLD	TPE	YELLOW
4	COUPLING NUT, INT. THD	ZINC DIE-CAST	NICKEL PLATED
3	CONTACT PIN	COPPER ALLOY	GOLD PLATED
2	MALE INSERT	TPE	YELLOW
1	CABLE, 16/4, STOOD	PVC JACKET	YELLOW

SYMBOLS				THIS DRAWING CONTAINS INFORMATION THAT IS PROPRIETARY TO MOLEX ELECTRONIC TECHNOLOGIES, LLC AND SHOULD NOT BE USED WITHOUT WRITTEN PERMISSION					
▽ = 0	INCH/MM	SCALE	1:1	CURRENT REV DESC: REDRAWN, WAS SD-130006-035					
▽ = 0	GENERAL TOLERANCES (UNLESS SPECIFIED)			EC NO: 624117					
▽ = 0	mm	INCH		DRWN: RSTONE 2019/09/10					
▽ = 0	4 PLACES	±----	±----	CHK'D: MZIELINSKI 2019/09/19					
▽ = 0	3 PLACES	±----	±----	APPR: BWOODMAN 2019/10/03					
▽ = 0	2 PLACES	±----	±----	INITIAL REVISION:					
▽ = 0	1 PLACE	±----	±----	DRWN: RSTONE 2019/09/10					
▽ = 0	0 PLACES	±----	±----	APPR: BWOODMAN 2019/10/03					
▽ = 0	ANGULAR TOL ± ---- °			THIRD ANGLE PROJECTION					
▽ = 0	DRAFT WHERE APPLICABLE MUST REMAIN WITHIN DIMENSIONS			DRAWING SERIES					
▽ = 0				C-SIZE 130006					
DOCUMENT STATUS		P1	RELEASE DATE	2019/10/03	19:14:54	MATERIAL NUMBER		CUSTOMER	SHEET NUMBER
						1300061084		PSD 000	A
									1 OF 1

13 12 11 10 9 8 7 6 5 4 3 2 1

FRONT VIEW - MALE ASSEMBLY

1. WHITE 2. BLACK	1. GREEN/YELLOW 2. BLACK 3. WHITE	1. BLACK 2. WHITE 3. RED 4. GREEN/YELLOW	1. WHITE 2. RED 3. GREEN/YELLOW 4. ORANGE 5. BLACK	1. WHITE 2. RED 3. GREEN/YELLOW 4. ORANGE 5. BLACK 6. BLUE



ENTER DESCRIPTION EC NO: WNAZ00-029 CHKD: BWOODMAN 2010/01/14 APPR: JFMURPHY 2010/01/14	QUALITY SYMBOLS ▽=0 ▽=0	GENERAL TOLERANCES (UNLESS SPECIFIED) <table border="1"> <tr> <th></th> <th>mm</th> <th>INCH</th> </tr> <tr> <td>4 PLACES</td> <td>± .005</td> <td>± .0002</td> </tr> <tr> <td>3 PLACES</td> <td>± .003</td> <td>± .0001</td> </tr> <tr> <td>2 PLACES</td> <td>± .002</td> <td>± .0001</td> </tr> <tr> <td>1 PLACE</td> <td>± .001</td> <td>± .0001</td> </tr> </table>		mm	INCH	4 PLACES	± .005	± .0002	3 PLACES	± .003	± .0001	2 PLACES	± .002	± .0001	1 PLACE	± .001	± .0001	DIMENSION STYLE IN/MM	SCALE 1.5:1	DESIGN UNITS INCH	<input checked="" type="checkbox"/> THIRD ANGLE PROJECTION
		mm	INCH																		
	4 PLACES	± .005	± .0002																		
	3 PLACES	± .003	± .0001																		
2 PLACES	± .002	± .0001																			
1 PLACE	± .001	± .0001																			
DRAWN BY: NKUMAR01 DATE: 01/11/2010 CHECKED BY: BWOODMAN DATE: 01/11/2010 APPROVED BY: JFMURPHY DATE: 2010/01/14		TITLE MC 6P MP 90D 16/4 ST00W		MOLEX INCORPORATED		SHEET NO. 1 OF 2															
MATERIAL NO. 9999999999		DOCUMENT NO. SD-130006-035		THIS DRAWING CONTAINS INFORMATION THAT IS PROPRIETARY TO MOLEX INCORPORATED AND SHOULD NOT BE USED WITHOUT WRITTEN PERMISSION																	
DRAFT WHERE APPLICABLE MUST REMAIN WITHIN DIMENSIONS																					

13 12 11 10 9 8 7 6 5 4 3 2 1

13 12 11 10 9 8 7 6 5 4 3 2 1

MINI A SIZE 90° MALE ASSEMBLY

Sl. No.	DESCRIPTION	MATERIAL	FINISH	QUANTITY				
				2 POLE	3 POLE	4 POLE	5 POLE	6 POLE
1	COUPLING NUT	ZINC DIECAST	BLACK E-COATED	1	1	1	1	1
2	FRICION RING	NYLON	NATURAL	1	1	1	1	1
3	2P MALE INSERT PVC A SIZE	PVC	YELLOW	1				
	3P MALE INSERT PVC A SIZE	PVC	YELLOW		1			
	4P MALE INSERT PVC A SIZE	PVC	YELLOW			1		
	5P MALE INSERT PVC A SIZE	PVC	YELLOW				1	
	6P MALE INSERT PVC A SIZE	PVC	YELLOW					1
4	#16 AWG YELLOW STOOV/ST CORD	PVC JACKET	YELLOW	2	3	4	5	6
5	LABEL WRAP AROUND LABEL-2 x 3	PLASTIC FILM	BLACK/YELLOW	1	1	1	1	1
6	PIN CONTACT	COPPER ALLOY	GOLD PLATED	1	1	1	1	1

POLE COUNT	MAX. VOLTAGE RATING	MAX. CURRENT RATING	CABLE DIAMETER
2 POLE	600 VOLTS	13 AMPS	.37" / 9.4mm
3 POLE	600 VOLTS	13 AMPS	.41" / 10.4mm
4 POLE	600 VOLTS	10 AMPS	.42" / 10.7mm
5 POLE	600 VOLTS	8 AMPS	.50" / 12.7mm
6 POLE	600 VOLTS	8 AMPS	.54" / 13.7mm

PART NUMBER	DESCRIPTION	FINISHED LENGTH
1300060192	102003A01F030	3' +1.75' -0 [9M + 44.5 -0]
1300060194	102003A01F060	6' +2.19' -0 [1.8M + 55.6 -0]
1300060196	102003A01F120	12' +3.50' -0 [3.7M + 88.9 -0]
1300060200	102003A01F200	20' +6.50' -0 [6.1M + 165.1 -0]
1300060643	103003A01F030	3' +1.75' -0 [9M + 44.5 -0]
1300060647	103003A01F060	6' +2.19' -0 [1.8M + 55.6 -0]
1300060651	103003A01F120	12' +3.50' -0 [3.7M + 88.9 -0]
1300060657	103003A01F200	20' +6.50' -0 [6.1M + 165.1 -0]
1300061084	104003A01F030	3' +1.75' -0 [9M + 44.5 -0]
1300061087	104003A01F060	6' +2.19' -0 [1.8M + 55.6 -0]
1300061090	104003A01F120	12' +3.50' -0 [3.7M + 88.9 -0]
1300061095	104003A01F200	20' +6.50' -0 [6.1M + 165.1 -0]
1300061516	105003A01F030	3' +1.75' -0 [9M + 44.5 -0]
1300061518	105003A01F060	6' +2.19' -0 [1.8M + 55.6 -0]
1300061524	105003A01F120	12' +3.50' -0 [3.7M + 88.9 -0]
1300061524	105003A01F200	20' +6.50' -0 [6.1M + 165.1 -0]
1300061700	106003A01F030	3' +1.75' -0 [9M + 44.5 -0]
1300061703	106003A01F060	6' +2.19' -0 [1.8M + 55.6 -0]
1300061706	106003A01F120	12' +3.50' -0 [3.7M + 88.9 -0]
1300061713	106003A01F200	20' +6.50' -0 [6.1M + 165.1 -0]

ENTER DESCRIPTION EC NO: WNAZ010-029 2010/01/12 DRAWN BY: NKUMAR01 2010/01/11 APPR: BWOODMAN 2010/01/14 REV	QUALITY SYMBOLS	GENERAL TOLERANCES (UNLESS SPECIFIED)	DIMENSION STYLE	SCALE	DESIGN UNITS	THIRD ANGLE PROJECTION	
	▽=0	mm INCH	IN/MM	3:1	INCH		
	▽=0	4 PLACES ± --- ± --- 3 PLACES ± --- ± --- 2 PLACES ± --- ± --- 1 PLACE ± --- ± ---	DRWN BY: NKUMAR01 DATE: 01/11/2010 CHKD BY: BWOODMAN DATE: 01/11/2010 APPR BY: JFMURPHY DATE: 2010/01/14	TITLE	MC 6P MP 90D 16/4 STOOV		
		ANGULAR ±1/2°	MATERIAL NO. 9999999999	DOCUMENT NO. SD-130006-035	SHEET NO. 2 OF 2		
DRAFT WHERE APPLICABLE MUST REMAIN WITHIN DIMENSIONS THIS DRAWING CONTAINS INFORMATION THAT IS PROPRIETARY TO MOLEX INCORPORATED AND SHOULD NOT BE USED WITHOUT WRITTEN PERMISSION							

tb_frame_C_P_AM_T Rev. E 2006/04/15 12 11 10 9 8 7 6 5 4 3 2 1

X-ON Electronics

Largest Supplier of Electrical and Electronic Components

Click to view similar products for [Sensor Cables / Actuator Cables](#) category:

Click to view products by [Molex](#) manufacturer:

Other Similar products are found below :

[60963](#) [60964](#) [M83513/19-F01CP](#) [703000D02F2002](#) [703001D02F0602](#) [703001D02F300](#) [704000D02F120](#) [773032K02F030](#) [802027107404-1](#)
[802027213811-1](#) [804001A09M150](#) [805001A09M0502](#) [84914-0235](#) [84914-0237](#) [885030A09M020](#) [8R4J30E03C3003](#) [1200651332](#)
[1200651713](#) [1200660844](#) [1200660845](#) [1200661173](#) [1200680071](#) [1200720053](#) [1200720081](#) [1200720099](#) [1200720217](#) [1200800231](#)
[1200860125](#) [1200870123](#) [1200980102](#) [1200650267](#) [1200650298](#) [1200660183](#) [1200660782](#) [1200660849](#) [1200661295](#) [1200661297](#)
[1200661342](#) [1200661343](#) [1200670080](#) [1200670220](#) [1200680331](#) [1200720252](#) [1200730184](#) [1200860344](#) [1200870359](#) [1200870643](#)
[1200980008](#) [1200980031](#) [1210502211](#)