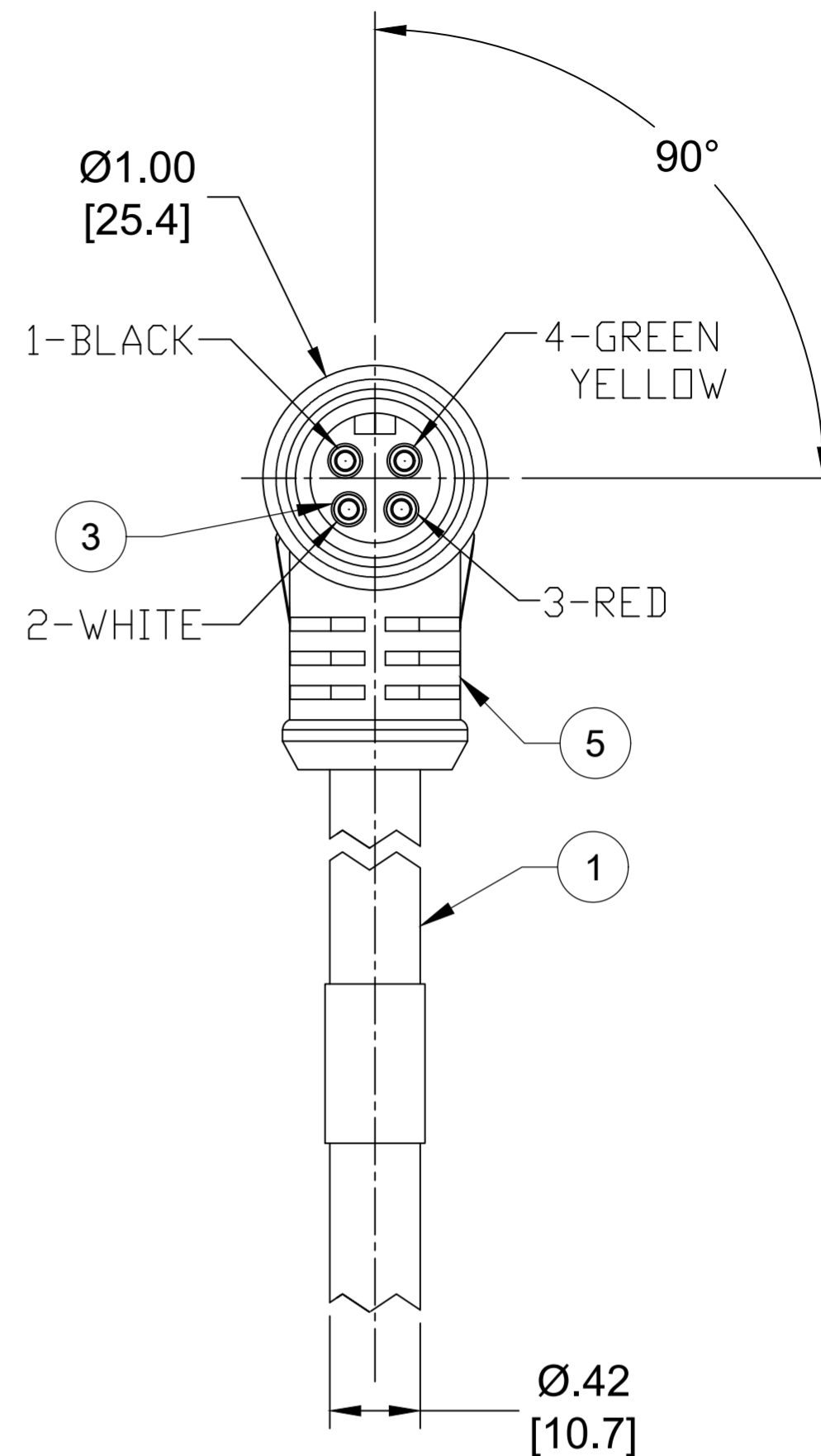
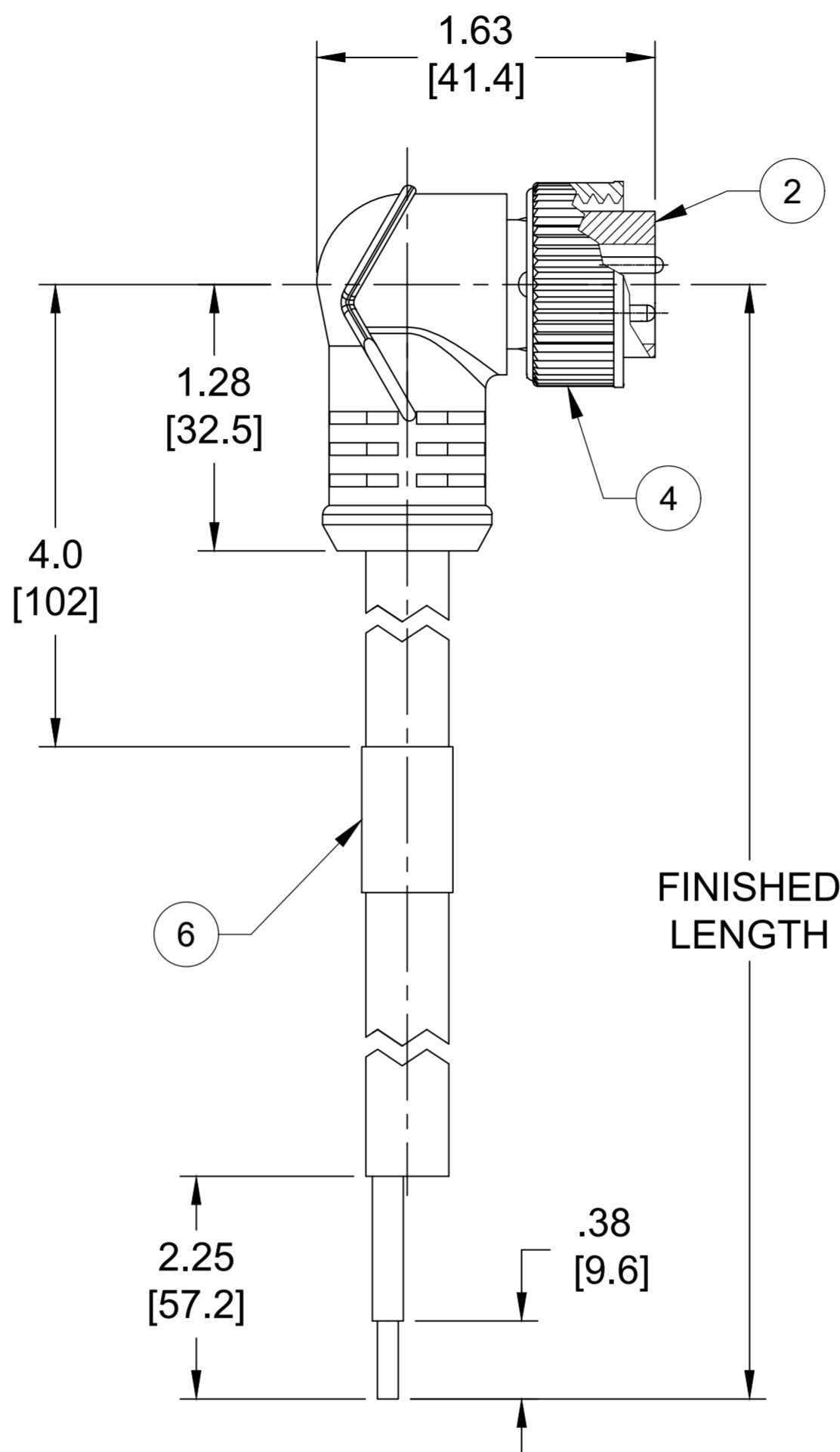
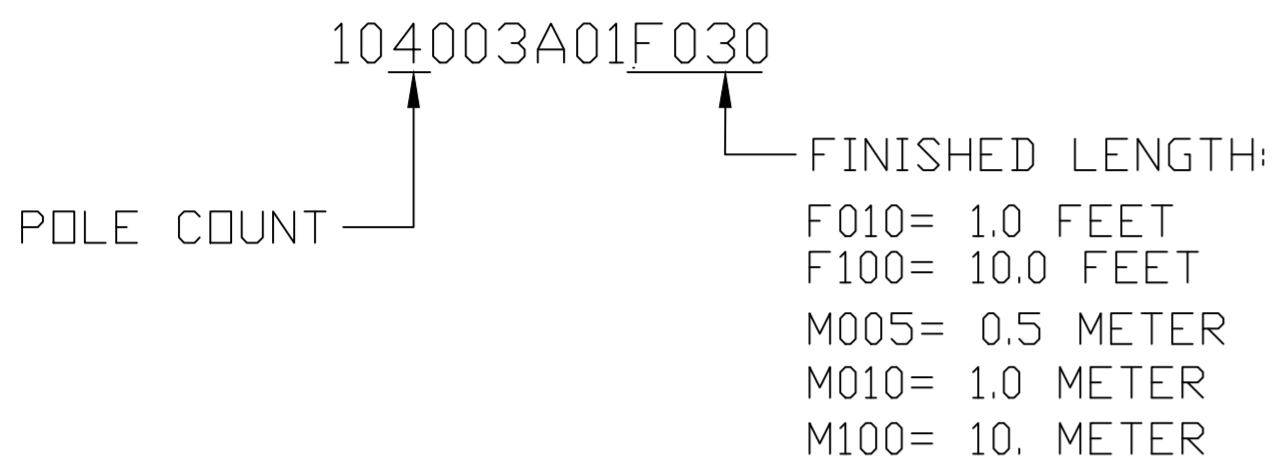


PART NO.	ENGINEERING NO.	FINISHED LENGTH
1300061105	104003A01M020	2.0M [6FT 7IN]
1300061084	104003A01F030	3.0FT [9.1M]
1300061087	104003A01F060	6.0FT [1.8M]
1300061095	104003A01F200	20.0FT [6.1M]

REF. THIS DRAWING SUPERSEDES SD-130006-035 REV-1 (A)

**PART NUMBER LEGEND**



- NOTES:**
1. MATERIAL: AS NOTED
  2. FINISH: AS NOTED
  3. ELECTRICAL:  
VOLTAGE: 483V PER IEC60664  
600V PER UL2238  
CURRENT: 10A
  4. TEMP RATING: -20°TO +80°C
  5. PROTECTION: IP67 (WHEN MATED)
  6. COUPLING THREAD: 7/8-16UN
  7. UL RECOGNIZED FILE: E152210  
CSA CERTIFIED FILE: LR6837
  8. ALL DIMS ARE FOR REFERENCE UNLESS TOLERANCED OR NOTED OTHERWISE

**CABLE LENGTH TOLERANCES**

>.3M [1FT]	: +19mm-0 [+ .75in-0]
.3 - .9M [1 - 3FT]	: +44.5mm-0 [+1.75in-0]
.9 - 1.8M [3 - 6FT]	: +55.6mm-0 [+2.19in-0]
1.8 - 3.7M [6 - 12FT]	: +88.9mm-0 [+3.50in-0]
3.7 - 7.3M [12 - 24FT]	: +165.1mm-0 [+6.50in-0]
7.3-14.6M [24 - 48FT]	: +317.5mm-0 [+12.50in-0]
14.6 - 30.5M [48-100FT]	: +622.3mm-0 [+24.50in-0]
OVER 30M [100FT]	: +2% OF FINISHED LENGTH

ITEM	DESCRIPTION	MATERIAL	FINISH
6	WRAP LABEL	VINYL	BLACK/YELLOW
5	OVERMOLD	TPE	YELLOW
4	COUPLING NUT, INT. THD	ZINC DIE-CAST	NICKEL PLATED
3	CONTACT PIN	COPPER ALLOY	GOLD PLATED
2	MALE INSERT	TPE	YELLOW
1	CABLE, 16/4, STOOD	PVC JACKET	YELLOW

SYMBOLS		THIS DRAWING CONTAINS INFORMATION THAT IS PROPRIETARY TO MOLEX ELECTRONIC TECHNOLOGIES, LLC AND SHOULD NOT BE USED WITHOUT WRITTEN PERMISSION	
▽ = 0	4 PLACES ±----	INCH/MM	SCALE 1:1
▽ = 0	3 PLACES ±----	CURRENT REV DESC: REDRAWN, WAS SD-130006-035	
▽ = 0	2 PLACES ±----	GENERAL TOLERANCES (UNLESS SPECIFIED)	
▽ = 0	1 PLACE ±----	mm	INCH
▽ = 0	0 PLACES ±----	EC NO: 624117	
▽ = 0	ANGULAR TOL ± ---- °	DRWN: RSTONE 2019/09/10	
▽ = 0	DRAFT WHERE APPLICABLE MUST REMAIN WITHIN DIMENSIONS	CHK'D: MZIELINSKI 2019/09/19	
▽ = 0	THIRD ANGLE PROJECTION	APPR: BWOODMAN 2019/10/03	
▽ = 0	DRAWING	INITIAL REVISION:	
▽ = 0	C-SIZE	DRWN: RSTONE 2019/09/10	
▽ = 0	SHEET NUMBER	SERIES 130006	
▽ = 0	1 OF 1	MATERIAL NUMBER CUSTOMER SHEET NUMBER	



MINI CHANGE CABLE ASSY, 4P, MALE, 90 DEG  
16AWG, STOOD, INTERNAL THREAD

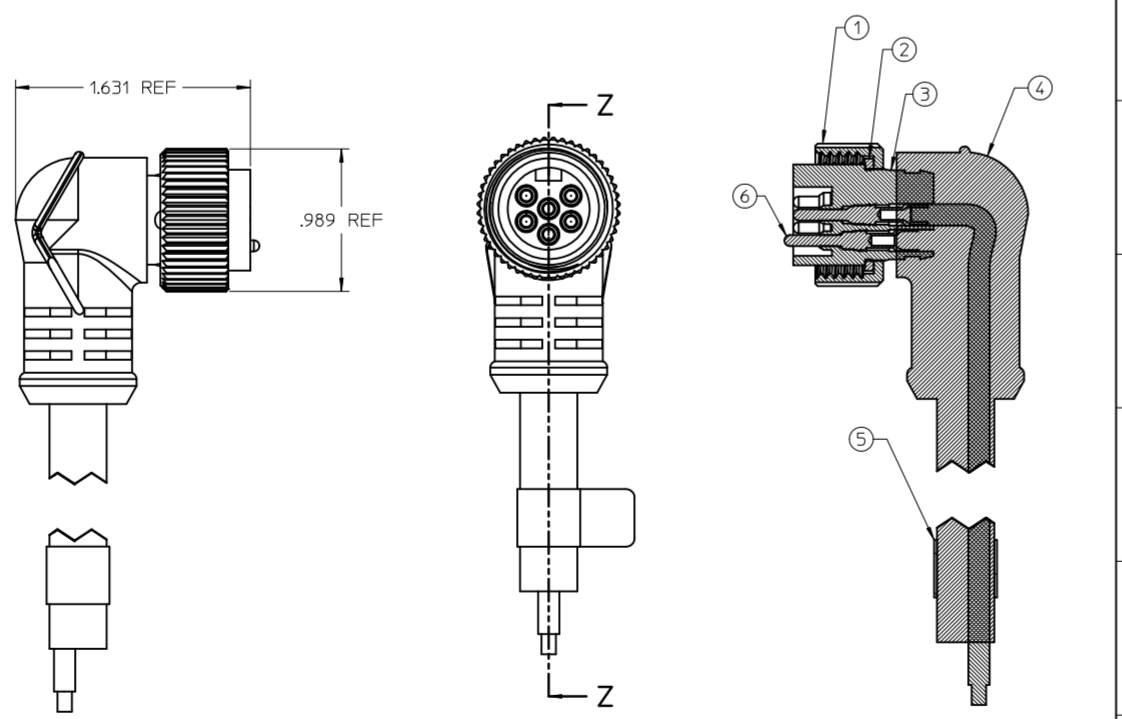
PRODUCT CUSTOMER DRAWING

DOCUMENT NUMBER: 1300061084  
DOC TYPE: PSD  
DOC PART: 000  
REVISION: A

13 12 11 10 9 8 7 6 5 4 3 2 1

FRONT VIEW - MALE ASSEMBLY

1. WHITE 2. BLACK	1. GREEN/YELLOW 2. BLACK 3. WHITE	1. BLACK 2. WHITE 3. RED 4. GREEN/YELLOW	1. WHITE 2. RED 3. GREEN/YELLOW 4. ORANGE 5. BLACK	1. WHITE 2. RED 3. GREEN/YELLOW 4. ORANGE 5. BLACK 6. BLUE



<b>ENTER DESCRIPTION</b> EC NO: WNAZ00-029 CHKD: BWOODMAN 2010/01/14 APPR: JFMURPHY 2010/01/14	<b>QUALITY SYMBOLS</b> ▽=0 ▽=0	<b>GENERAL TOLERANCES (UNLESS SPECIFIED)</b> <table border="1"> <tr> <th></th> <th>mm</th> <th>INCH</th> </tr> <tr> <td>4 PLACES</td> <td>± .005</td> <td>± .0002</td> </tr> <tr> <td>3 PLACES</td> <td>± .004</td> <td>± .00015</td> </tr> <tr> <td>2 PLACES</td> <td>± .003</td> <td>± .0001</td> </tr> <tr> <td>1 PLACE</td> <td>± .002</td> <td>± .000075</td> </tr> </table>		mm	INCH	4 PLACES	± .005	± .0002	3 PLACES	± .004	± .00015	2 PLACES	± .003	± .0001	1 PLACE	± .002	± .000075	<b>DIMENSION STYLE</b> IN/MM	<b>SCALE</b> 1.5:1	<b>DESIGN UNITS</b> INCH	<input type="checkbox"/> FIRST ANGLE PROJECTION <input checked="" type="checkbox"/> THIRD ANGLE PROJECTION
		mm	INCH																		
	4 PLACES	± .005	± .0002																		
	3 PLACES	± .004	± .00015																		
2 PLACES	± .003	± .0001																			
1 PLACE	± .002	± .000075																			
DRAWN BY: NKUMAR01 DATE: 01/11/2010 CHECKED BY: BWOODMAN DATE: 01/11/2010 APPROVED BY: JFMURPHY DATE: 2010/01/14		<b>TITLE</b> MC 6P MP 90D 16/4 ST00W		<b>MOLEX INCORPORATED</b>		<b>SHEET NO.</b> 1 OF 2															
MATERIAL NO. 9999999999		DOCUMENT NO. SD-130006-035		THIS DRAWING CONTAINS INFORMATION THAT IS PROPRIETARY TO MOLEX INCORPORATED AND SHOULD NOT BE USED WITHOUT WRITTEN PERMISSION																	
DRAFT WHERE APPLICABLE MUST REMAIN WITHIN DIMENSIONS																					

ib\_frame\_C\_P\_AM\_T 12 11 10 9 8 7 6 5 4 3 2 1

13 12 11 10 9 8 7 6 5 4 3 2 1

MINI A SIZE 90° MALE ASSEMBLY

Sl. No.	DESCRIPTION	MATERIAL	FINISH	QUANTITY				
				2 POLE	3 POLE	4 POLE	5 POLE	6 POLE
1	COUPLING NUT	ZINC DIECAST	BLACK E-COATED	1	1	1	1	1
2	FRICION RING	NYLON	NATURAL	1	1	1	1	1
3	2P MALE INSERT PVC A SIZE	PVC	YELLOW	1				
	3P MALE INSERT PVC A SIZE	PVC	YELLOW		1			
	4P MALE INSERT PVC A SIZE	PVC	YELLOW			1		
	5P MALE INSERT PVC A SIZE	PVC	YELLOW				1	
	6P MALE INSERT PVC A SIZE	PVC	YELLOW					1
4	#16 AWG YELLOW STOOV/ST CORD	PVC JACKET	YELLOW	2	3	4	5	6
5	LABEL WRAP AROUND LABEL-2 x 3	PLASTIC FILM	BLACK/YELLOW	1	1	1	1	1
6	PIN CONTACT	COPPER ALLOY	GOLD PLATED	1	1	1	1	1

POLE COUNT	MAX. VOLTAGE RATING	MAX. CURRENT RATING	CABLE DIAMETER
2 POLE	600 VOLTS	13 AMPS	.37" / 9.4mm
3 POLE	600 VOLTS	13 AMPS	.41" / 10.4mm
4 POLE	600 VOLTS	10 AMPS	.42" / 10.7mm
5 POLE	600 VOLTS	8 AMPS	.50" / 12.7mm
6 POLE	600 VOLTS	8 AMPS	.54" / 13.7mm

PART NUMBER	DESCRIPTION	FINISHED LENGTH
1300060192	102003A01F030	3' +1.75' -0 [9M + 44.5 -0]
1300060194	102003A01F060	6' +2.19' -0 [1.8M + 55.6 -0]
1300060196	102003A01F120	12' +3.50' -0 [3.7M + 88.9 -0]
1300060200	102003A01F200	20' +6.50' -0 [6.1M + 165.1 -0]
1300060643	103003A01F030	3' +1.75' -0 [9M + 44.5 -0]
1300060647	103003A01F060	6' +2.19' -0 [1.8M + 55.6 -0]
1300060651	103003A01F120	12' +3.50' -0 [3.7M + 88.9 -0]
1300060657	103003A01F200	20' +6.50' -0 [6.1M + 165.1 -0]
1300061084	104003A01F030	3' +1.75' -0 [9M + 44.5 -0]
1300061087	104003A01F060	6' +2.19' -0 [1.8M + 55.6 -0]
1300061090	104003A01F120	12' +3.50' -0 [3.7M + 88.9 -0]
1300061095	104003A01F200	20' +6.50' -0 [6.1M + 165.1 -0]
1300061516	105003A01F030	3' +1.75' -0 [9M + 44.5 -0]
1300061518	105003A01F060	6' +2.19' -0 [1.8M + 55.6 -0]
1300061521	105003A01F120	12' +3.50' -0 [3.7M + 88.9 -0]
1300061524	105003A01F200	20' +6.50' -0 [6.1M + 165.1 -0]
1300061700	106003A01F030	3' +1.75' -0 [9M + 44.5 -0]
1300061703	106003A01F060	6' +2.19' -0 [1.8M + 55.6 -0]
1300061706	106003A01F120	12' +3.50' -0 [3.7M + 88.9 -0]
1300061713	106003A01F200	20' +6.50' -0 [6.1M + 165.1 -0]

<b>ENTER DESCRIPTION</b> EC NO: WNAZ010-029 2010/01/12 DRAWN BY: NKUMAR01 2010/01/11 APPR: BWOODMAN 2010/01/14 REV	QUALITY SYMBOLS 0 0	GENERAL TOLERANCES (UNLESS SPECIFIED) mm INCH 4 PLACES ± .005 ± .0005 3 PLACES ± .004 ± .0004 2 PLACES ± .003 ± .0003 1 PLACE ± .002 ± .0002 ANGULAR ± 1/2°	DIMENSION STYLE IN/MM DRAWN BY: NKUMAR01 DATE: 01/11/2010 CHECKED BY: BWOODMAN DATE: 01/11/2010 APPROVED BY: JFMURPHY DATE: 2010/01/14	SCALE 3:1 DESIGN UNITS INCH THIRD ANGLE PROJECTION	TITLE MC 6P MP 90D 16/4 STOOV
	DRAFT WHERE APPLICABLE MUST REMAIN WITHIN DIMENSIONS		MATERIAL NO. 9999999999	DOCUMENT NO. SD-130006-035	SHEET NO. 2 OF 2

tb\_frame\_C\_P\_AM\_T Rev. E 2006/04/15 12 11 10 9 8 7 6 5 4 3 2 1

## X-ON Electronics

Largest Supplier of Electrical and Electronic Components

*Click to view similar products for [Sensor Cables / Actuator Cables](#) category:*

*Click to view products by [Molex](#) manufacturer:*

Other Similar products are found below :

[1300070444](#) [43-10984](#) [M83513/19-F01CP](#) [704000D02F120](#) [MDM15SH001K](#) [MDM25PH003BF222](#) [802027107404-1](#) [885030A09M010](#)  
[885030A09M020](#) [1200650174](#) [1200651332](#) [1200651713](#) [1200660171](#) [1200660208](#) [1200660343](#) [1200660804](#) [1200660845](#) [1200660926](#)  
[1200660977](#) [1200661173](#) [1200661354](#) [120066-1712](#) [1200720053](#) [1200720099](#) [1200720153](#) [1200720172](#) [1200720217](#) [1200720226](#)  
[1200720251](#) [1200720285](#) [1200720296](#) [1200720404](#) [1200730148](#) [1200730378](#) [1200800231](#) [1200860112](#) [1200860121](#) [1200860125](#)  
[1200860337](#) [1200860365](#) [1200860420](#) [1200870046](#) [1200870123](#) [1200870248](#) [1200980102](#) [1200660181](#) [1200660183](#) [1200660827](#)  
[1200660849](#) [1200661170](#)