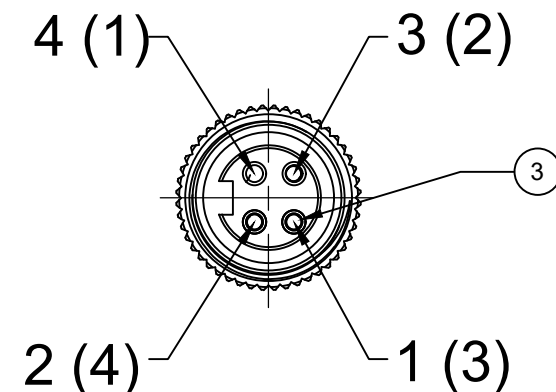
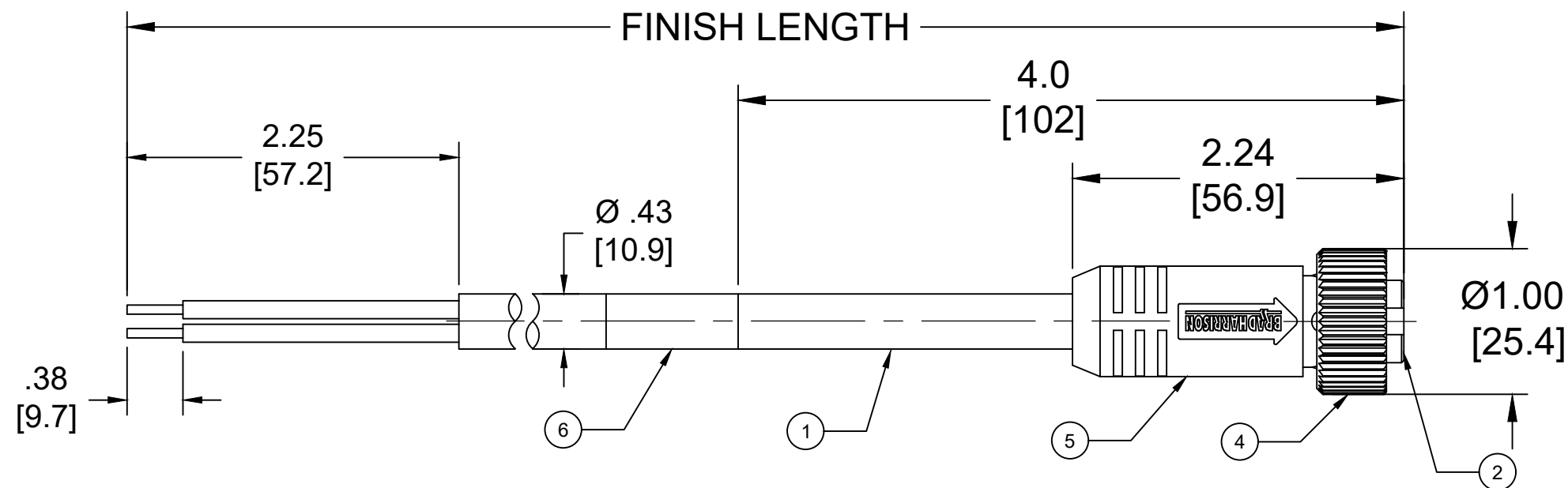


MATERIAL NUMBER	ENG. PART NO.	FINISHED LENGTH
1300062166	104000K12M020	2M
1300060895	104000K12M050	5M
1300060897	104000K12M100	10M
1300069044	104000K12M200	20M
1300069045	104000K12M300	30M



FEMALE FACE VIEW

CENELEC EN 50 044 PINOUT SHOWN
(SAE-J-1738A SHOWN IN PARENTHESIS)

BLACK	4 (1)
BLUE	3 (2)
BROWN	1 (3)
WHITE	2 (4)

- NOTES:
1. MATERIAL: AS NOTED
 2. FINISH: AS NOTED
 3. ELECTRICAL:
VOLTAGE: 320V PER IEC60664
600V PER UL2238
CURRENT: 10A
 4. TEMP RATING: -20° TO +90°C
 5. PROTECTION: IP67 (WHEN MATED)
 6. COUPLING THREAD: 7/8-16UN
 7. ALL DIMS ARE FOR REFERENCE UNLESS NOTED OTHERWISE

104000K12M200

cable type
16AWG-4
FLEX TPE

cable length
005 = 0.5 Meters
010 = 1 Meter
100 = 10Meters

MECHANICAL CHARACTERISTICS:

TORSIONAL FLEX TEST	20 MILLION CYCLES PER MIL-C-13777G
BEND FLEX TEST	20 MILLION CYCLES PER MIL-C-13777G
WELD SLAG RESISTANCE	WOODHEAD STANDARD S-300

CABLE LENGTH TOLERANCES

<.3M [1FT]: +19mm-0 [+0.75in-0]
.3 - .9M [1 - 3FT]: +44.5mm-0 [+1.75in-0]
.9 - 1.8M [3 - 6FT]: +55.6mm-0 [+2.19in-0]
1.8 - 3.7M [6 - 12FT]: +88.9mm-0 [+3.50in-0]
3.7 - 7.3M [12 - 24FT]: +165.1mm-0 [+6.50in-0]
7.3-14.6M [24 - 48FT]: +317.5mm-0 [+12.50in-0]
14.6 - 30.5M [48-100FT]: +622.3mm-0 [+24.50in-0]
OVER 30M [100FT] +2% OF FINISHED LENGTH

ITEM	DESCRIPTION	MATERIAL	FINISH
6	WRAP LABEL	VINYL	BLACK/YELLOW
5	OVERMOLD	TPE	YELLOW
4	COUPLING NUT	ZINC DIE-CAST	BLACK
3	CONTACT SOCKET	COPPER ALLOY	GOLD PLATED
2	FEMALE INSERT	TPE	YELLOW
1	CABLE, 16/4,600C, 90°C	TPE JACKET	YELLOW

THIS DRAWING CONTAINS INFORMATION THAT IS PROPRIETARY TO MOLEX ELECTRONIC TECHNOLOGIES, LLC AND SHOULD NOT BE USED WITHOUT WRITTEN PERMISSION

FUNCTIONAL SYMBOLS	DIMENSION UNITS	SCALE	CURRENT REV DESC: UPDATED AMPERAGE AND TEMPLATE
$F=0$	INCH/MM	NTS	
$E=0$	GENERAL TOLERANCES (UNLESS SPECIFIED)		
$P=0$	mm	INCH	
DIVISIONAL SYMBOLS	4 PLACES	±----	±----
	3 PLACES	±----	±----
	2 PLACES	±----	±----
	1 PLACE	±----	±----
	0 PLACES	±----	±----
	ANGULAR TOL ± ---- °		
DRAFT WHERE APPLICABLE MUST REMAIN WITHIN DIMENSIONS	THIRD ANGLE PROJECTION	DRAWING	SERIES
		B-SIZE	130006
		MATERIAL NUMBER	CUSTOMER
		SEE CHART	GENERAL MARKET
		SHEET NUMBER	1 OF 1

EC NO: 646474
DRWN: ALEON01 2020/10/14
CHK'D: CCHRSTKA 2020/10/19
APPR: BWOODMAN 2020/10/21

INITIAL REVISION:
DRWN: GGUSTAFS 2013/10/04
APPR: BWOODMAN 2013/11/12

molex

MINI CHANGE
4 POLE FEMALE STR 16 AWG AWG TPE

PRODUCT CUSTOMER DRAWING

DOCUMENT NUMBER: SD-130006-062
DOC TYPE: PSD
DOC PART: 001
REVISION: D

X-ON Electronics

Largest Supplier of Electrical and Electronic Components

Click to view similar products for [Sensor Cables / Actuator Cables](#) category:

Click to view products by [Molex](#) manufacturer:

Other Similar products are found below :

[60963](#) [60964](#) [M83513/19-F01CP](#) [703000D02F2002](#) [703001D02F0602](#) [703001D02F300](#) [704000D02F120](#) [773032K02F030](#) [802027107404-1](#)
[802027213811-1](#) [804001A09M150](#) [805001A09M0502](#) [84914-0235](#) [84914-0237](#) [885030A09M020](#) [8R4J30E03C3003](#) [1200651332](#)
[1200651713](#) [1200660844](#) [1200660845](#) [1200661173](#) [1200680071](#) [1200720053](#) [1200720081](#) [1200720099](#) [1200720217](#) [1200800231](#)
[1200860125](#) [1200870123](#) [1200980102](#) [1200650267](#) [1200650298](#) [1200660183](#) [1200660782](#) [1200660849](#) [1200661295](#) [1200661297](#)
[1200661342](#) [1200661343](#) [1200670080](#) [1200670220](#) [1200680331](#) [1200720252](#) [1200730184](#) [1200860344](#) [1200870359](#) [1200870643](#)
[1200980008](#) [1200980031](#) [1210502211](#)