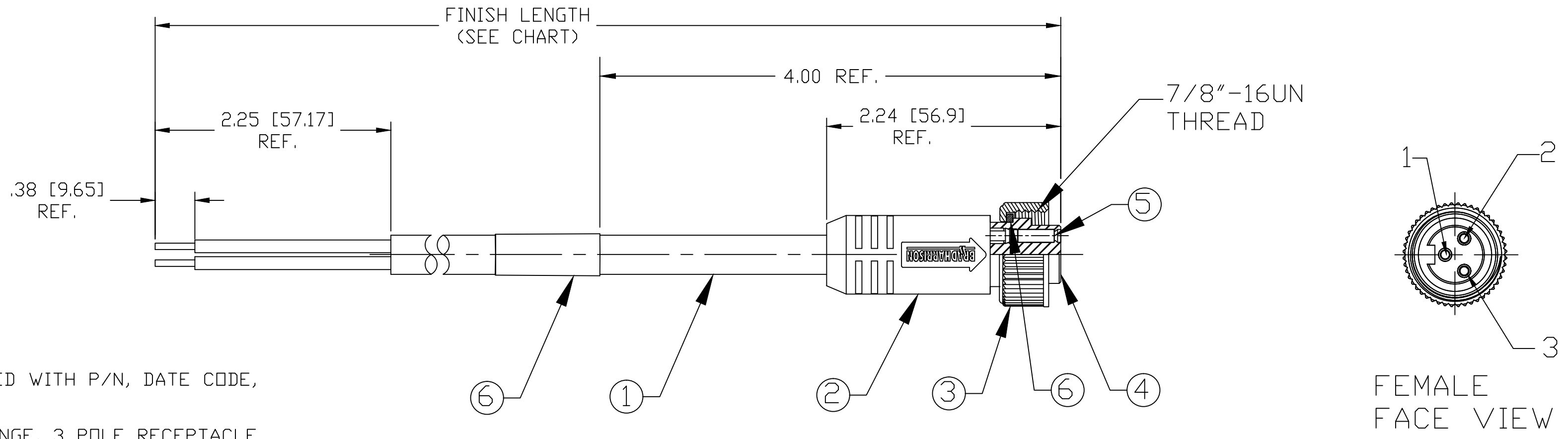


PART NUMBER	ENGINEERING NUMBER	FINISH LENGTH
1300062275	50996-030	3.00' +1.75" -0 [0.9M +44.5 -0]
1300062296	50996-040	4.00' +2.19" -0 [1.2M +55.6 -0]
1300061890	50996-060	6.00' +2.19" -0 [1.8M +55.6 -0]
1300061891	50996-065	6.50' +3.50" -0 [2.0M +88.9 -0]
1300062346	50996-080	8.00' +3.50" -0 [2.4M +88.9 -0]
1300061892	50996-120	12.00' +3.50" -0 [3.7M +88.9 -0]
1300061893	50996-150	15.00' +6.50" -0 [4.6M +165.1 -0]



- NOTE
- 1) MATERIAL: SEE TABLE
  - 2) FINISHES: SEE TABLE
  - 3) WRAP LABEL IS MARKED WITH P/N, DATE CODE, VOLTAGE & AMPERAGE
  - 4) MATES WITH: MINI CHANGE, 3 POLE RECEPTACLE
  - 5) ELECTRICAL DATA:  
 INLINE CORDSET  
 FEMALE A-SIZE WITH FLYING LEADS  
 16AWG UNSHIELDED  
 MAX. VOLTAGE: 600V  
 MAX. CURRENT 13A  
 PROTECTION IP67  
 TEMPERATURE RANGE: -20°C TO 105°C
  - 6) PACKAGING:  
 CABLE ASSEMBLIES ARE BAGGED SEPERATELY  
 IN POLY BAGS WITH BAR CODE LABEL ATTACHED  
 TO OUTSIDE OF BAG.
  - 7) ASSEMBLY IS RoHS COMPLIANT.
  - 8) CERTIFICATION  
 UL RECOGNIZED, FILE NO. E152210



WIRING DIAGRAM

ITEM	QTY.	DESCRIPTION	MATERIAL	FINISH
7	1	LABEL	VINYL	BLACK/YELLOW
6	1	FRICITION RING	NYLON	WHITE
5	3	CONTACT SOCKET	COPPER ALLOY	GOLD PLATED
4	1	INSERT	PVC	YELLOW
3	1	COUPLING NUT	ZINC DIE CAST	BLACK E-COATED
2	1	OVERMOLD	PVC	BLACK
1	1	CABLE, 16AWG-3 TYPE STDDW	PVC	BLACK

ADD P/Ns FOR 3, 4 & 6.5 FT EC NO: IFC2015-1814 DRWN: RSTONE 4/16/15 CHKD: BW 2013/08/01 APPR: KJOZWIK 2010/01/07	QUALITY SYMBOL	GENERAL TOLERANCES (UNLESS SPECIFIED)	DIMENSION STYLE	SCALE	DESIGN UNITS	THIRD ANGLE PROJECTION															
	$\nabla=0$ $\nabla C=0$	<table border="1"> <thead> <tr> <th></th> <th>mm</th> <th>INCH</th> </tr> </thead> <tbody> <tr> <td>4 PLACES</td> <td>±---</td> <td>±---</td> </tr> <tr> <td>3 PLACES</td> <td>±---</td> <td>±.005</td> </tr> <tr> <td>2 PLACES</td> <td>±0.13</td> <td>±.010</td> </tr> <tr> <td>1 PLACE</td> <td>±0.25</td> <td>±.020</td> </tr> </tbody> </table>		mm	INCH	4 PLACES	±---	±---	3 PLACES	±---	±.005	2 PLACES	±0.13	±.010	1 PLACE	±0.25	±.020	IN/MM	1:1	INCH	
		mm	INCH																		
	4 PLACES	±---	±---																		
3 PLACES	±---	±.005																			
2 PLACES	±0.13	±.010																			
1 PLACE	±0.25	±.020																			
	ANGULAR ±1/2°	DRAWN BY DATE	TITLE	<b>MINI CHANGE ASSEMBLY          3-POLE FEMALE ST BLK          16/3AWG BLACK PVC</b>																	
	DRAFT WHERE APPLICABLE MUST REMAIN WITHIN DIMENSIONS	CHECKED BY DATE	<b>MOLEX INCORPORATED</b>		SHEET NO. <b>1 OF 1</b>																

THIS DRAWING CONTAINS INFORMATION THAT IS PROPRIETARY TO MOLEX INCORPORATED AND SHOULD NOT BE USED WITHOUT WRITTEN PERMISSION

## X-ON Electronics

Largest Supplier of Electrical and Electronic Components

*Click to view similar products for [Sensor Cables / Actuator Cables](#) category:*

*Click to view products by [Molex](#) manufacturer:*

Other Similar products are found below :

[60963](#) [60964](#) [703000D02F2002](#) [703001D02F0602](#) [703001D02F300](#) [704000D02F120](#) [773032K02F030](#) [802027107404-1](#) [802027213811-1](#)  
[804001A09M150](#) [805001A09M0502](#) [84914-0235](#) [84914-0237](#) [885030A09M020](#) [8R4J30E03C3003](#) [1200651332](#) [1200651713](#) [1200660844](#)  
[1200660845](#) [1200661173](#) [1200680071](#) [1200720053](#) [1200720081](#) [1200720099](#) [1200720217](#) [1200800231](#) [1200860125](#) [1200870123](#)  
[1200980102](#) [1200650267](#) [1200650298](#) [1200660183](#) [1200660782](#) [1200660849](#) [1200661295](#) [1200661297](#) [1200661342](#) [1200661343](#)  
[1200670080](#) [1200670220](#) [1200680331](#) [1200720252](#) [1200730184](#) [1200860344](#) [1200870359](#) [1200870643](#) [1200980008](#) [1200980031](#)  
[1210502211](#) [1210400542](#)