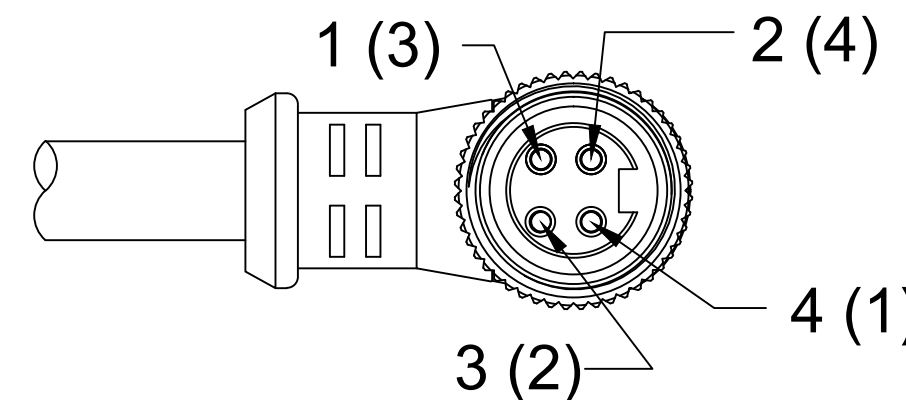
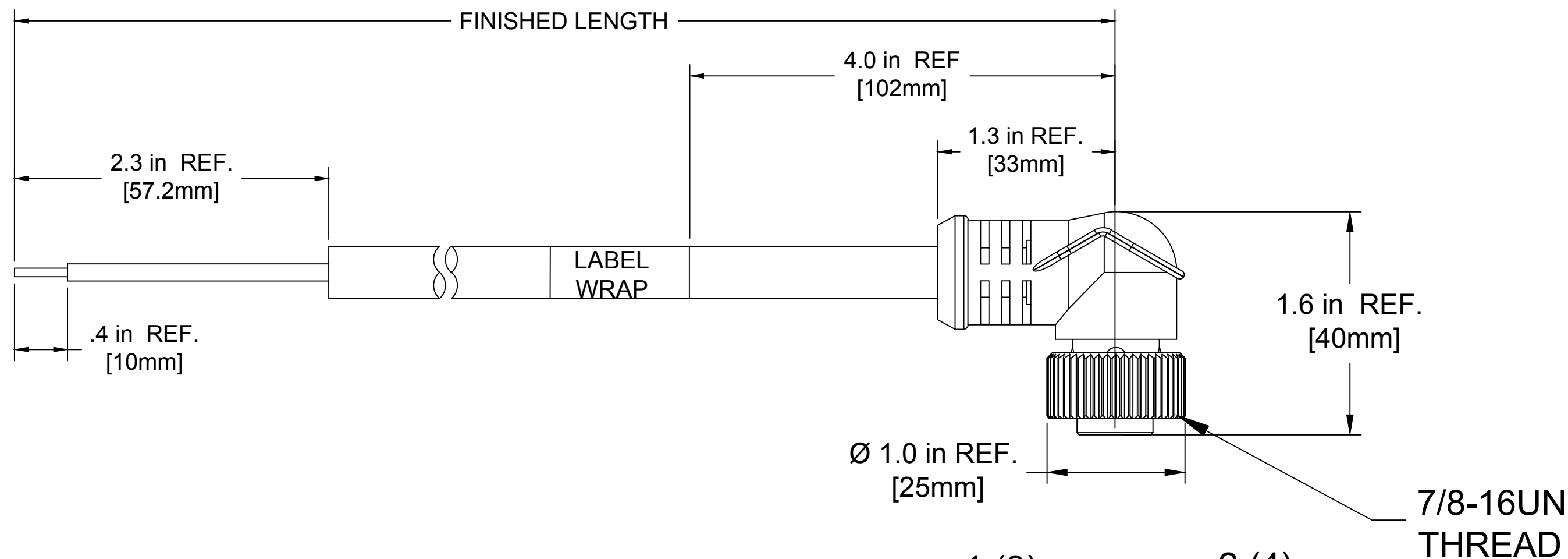


| MATERIAL NUMBER | OLD PART NUMBER | FINISHED LENGTH                    |
|-----------------|-----------------|------------------------------------|
| 1300062363      | 104001K12M020   | 2M +89mm -0 [6' 7" +3.5 IN -0]     |
| 1300069046      | 104001K12M050   | 5M +165mm -0 [16' 5" +6.5IN -0]    |
| 1300069047      | 104001K12M100   | 10M +318mm -0 [32' 10" +12.5IN -0] |
| 1300069048      | 104001K12M200   | 20M +622mm -0 [65' 7" +24.5IN -0]  |
| 1300069049      | 104001K12M300   | 30M +622mm -0 [98' 5" +24.5IN -0]  |

104001K12M050

cable type  
16AWG-4  
FLEX TPE

cable length  
050----5 Meters  
100----10 Meters



FEMALE FACE VIEW

CENELEC EN 50 044 PINOUT SHOWN  
(SAE-J-1738A SHOWN IN PARENTHESIS)

|       |       |
|-------|-------|
| BLACK | 4 (1) |
| BLUE  | 3 (2) |
| BROWN | 1 (3) |
| WHITE | 2 (4) |

SPECIFICATION DATA

| COMPONENT    | MATERIAL       | FINISH         |
|--------------|----------------|----------------|
| COUPLING NUT | ZINC DIE CAST  | BLACK E-COATED |
| LABEL        | VINYL          | BLACK/YELLOW   |
| CONTACT      | COPPER ALLOY   | GOLD PLATED    |
| INSERT       | TPE            | YELLOW         |
| OVERMOLD     | TPE            | YELLOW         |
| CABLE 16AWG  | TC ER FLEX TPE | YELLOW         |

|                        |                  |
|------------------------|------------------|
| VOLTAGE RATING:        | 600V             |
| AMPERAGE RATING:       | 10A              |
| PROTECTION CLASS:      | IP 67            |
| OPERATING TEMPERATURE: | -20°C TO +105°C  |
| UL CERTIFICATION:      | FILE NO. E152210 |
| CSA CERTIFICATIONS:    | FILE NO. LR6837  |

|   |                      |   |                     |                     |  |                        |
|---|----------------------|---|---------------------|---------------------|--|------------------------|
| REVD NOTES & LENGTH TOLS. ADD CENELEC<br>EC NO.: IPG2014-1158<br>DRWN: RSTONE 12/20/13<br>CH'KD: TW<br>APPR: BWOODMAN2013/11/12 | QUALITY SYMBOL       | GENERAL TOLERANCES (UNLESS SPECIFIED)   | DIMENSION STYLE     | SCALE               | DESIGN UNITS                                     | THIRD ANGLE PROJECTION |
|   | ▽=0                  | mm INCH   | IN / MM             | NTS                 | INCH   |                        |
|   | ∇=0                  | 4 PLACES ±--- ±---  | DRAWN BY DATE       | GGUSTAFS 2013/10/04 | TITLE  |                        |
|   |                      | 3 PLACES ±--- ±.005   | CHECKED BY DATE     | TWOLDEGE 2013/11/15 | MINI CHANGE<br>4 POLE FEMALE 90D<br>16/4 AWG TPE |                        |
|   | 2 PLACES ±0.13 ±.010 | APPROVED BY DATE  | BWOODMAN 2013/11/12 | MOLEX INCORPORATED  |  |                        |
|   | 1 PLACE ±0.25 ±.020  | MATERIAL NO.  | SEE CHART           | DOCUMENT NO.        | SHEET NO.  |                        |
|   | ANGULAR ±.5°         | DRAFT WHERE APPLICABLE MUST REMAIN WITHIN DIMENSIONS  |                     | SD-130006-064       |  | 1 OF 1                 |
|   |                      | THIS DRAWING CONTAINS INFORMATION THAT IS PROPRIETARY TO MOLEX INCORPORATED AND SHOULD NOT BE USED WITHOUT WRITTEN PERMISSION |                     |                     |  |                        |

## X-ON Electronics

Largest Supplier of Electrical and Electronic Components

*Click to view similar products for [Sensor Cables / Actuator Cables](#) category:*

*Click to view products by [Molex](#) manufacturer:*

Other Similar products are found below :

[60963](#) [60964](#) [703000D02F2002](#) [703001D02F0602](#) [703001D02F300](#) [704000D02F120](#) [773032K02F030](#) [802027107404-1](#) [802027213811-1](#)  
[804001A09M150](#) [805001A09M0502](#) [84914-0235](#) [84914-0237](#) [885030A09M020](#) [8R4J30E03C3003](#) [1200651332](#) [1200651713](#) [1200660844](#)  
[1200660845](#) [1200661173](#) [1200680071](#) [1200720053](#) [1200720081](#) [1200720099](#) [1200720217](#) [1200800231](#) [1200860125](#) [1200870123](#)  
[1200980102](#) [1200650267](#) [1200650298](#) [1200660183](#) [1200660782](#) [1200660849](#) [1200661295](#) [1200661297](#) [1200661342](#) [1200661343](#)  
[1200670080](#) [1200670220](#) [1200680331](#) [1200720252](#) [1200730184](#) [1200860344](#) [1200870359](#) [1200870643](#) [1200980008](#) [1200980031](#)  
[1210502211](#) [1210400542](#)