

PART NUMBER	ENGINEERING NUMBER	FINISH LENGTH
1300060217	103000A01F030	3.00 FT [0.9M]
1300060221	103000A01F060	6.00 FT [1.8M]
1300060229	103000A01F090	9.00 FT [2.7M]
1300060232	103000A01F120	12.00 FT [3.7M]
1300060237	103000A01F150	15.00 FT [4.6M]
1300060241	103000A01F200	20.00 FT [6.1M]
1300060246	103000A01F250	25.00 FT [7.6M]
1300060250	103000A01F300	30.00 FT [9.1M]
1300060253	103000A01F350	35.00 FT [10.7M]
1300060254	103000A01F400	40.00 FT [12.2M]

PART NUMBER	ENGINEERING NUMBER	FINISH LENGTH
1300060268	103000A01M050	5M [16 FT 5 IN]
1300060270	103000A01M300	30M [98 FT 5 IN]

PART NUMBER LEGEND

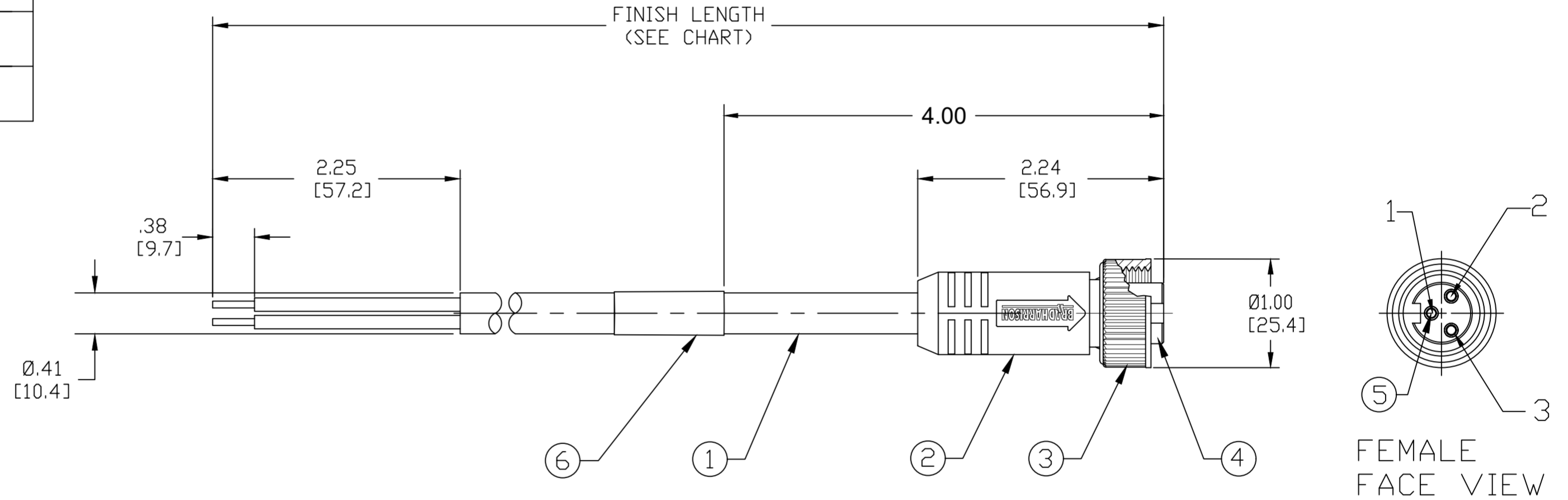
103000A01F030

FINISHED LENGTH:
 F020= 2 FEET
 M005= 0.5 METER
 M010= 1.0 METER
 M100= 10.0 METERS

CABLE LENGTH TOLERANCES	
>.3M [1FT]:	+19mm-0 [+1.75in-0]
.3 - .9M [1 - 3FT]:	+44.5mm-0 [+1.75in-0]
.9 - 1.8M [3 - 6FT]:	+55.6mm-0 [+2.19in-0]
1.8 - 3.7M [6 - 12FT]:	+88.9mm-0 [+3.50in-0]
3.7 - 7.3M [12 - 24FT]:	+165.1mm-0 [+6.50in-0]
7.3-14.6M [24 - 48FT]:	+317.5mm-0 [+12.50in-0]
14.6 - 30.5M [48-100FT]:	+622.3mm-0 [+24.50in-0]
OVER 30M [100FT]	+2% OF FINISHED LENGTH

NOTES:

- MATERIAL: AS NOTED
- FINISH: AS NOTED
- ELECTRICAL:
 VOLTAGE: 500V PER IEC 60664 ©
 600V PER UL 2238
 CURRENT: 13A
- TEMP RATING: -20°C TO +105°C
- PROTECTION: IP67 (WHEN MATED)
- COUPLING THREAD: 7/8-16 UN
- UL RECOGNIZED FILE: E152210
 CSA CERTIFIED FILE: LR6837
- ALL DIMS ARE FOR REFERENCE UNLESS TOLERANCED OR NOTED OTHERWISE ©



MC CONNECTOR

GREEN/YELLOW-GRD	1
BLACK	2
WHITE	3

WIRING DIAGRAM

ITEM	QTY.	DESCRIPTION	MATERIAL	FINISH
6	1	LABEL	VINYL	BLACK/YELLOW
5	3	CONTACT SOCKET	COPPER ALLOY	GOLD PLATED
4	1	INSERT	TPE ©	YELLOW
3	1	COUPLING NUT	ZINC DIE CAST	BLACK
2	1	OVERMOLD	TPE ©	YELLOW
1	1	CABLE, 16AWG-3 TYPE ST00W	PVC	YELLOW

FUNCTIONAL SYMBOLS		THIS DRAWING CONTAINS INFORMATION THAT IS PROPRIETARY TO MOLEX ELECTRONIC TECHNOLOGIES, LLC AND SHOULD NOT BE USED WITHOUT WRITTEN PERMISSION	
FA=0	DIMENSION UNITS	INCH/MM	SCALE 1:1
	GENERAL TOLERANCES (UNLESS SPECIFIED)	mm	INCH
FC=0	4 PLACES	±----	±----
	3 PLACES	±----	±----
FP=0	2 PLACES	±----	±----
	1 PLACE	±----	±----
DIVISIONAL SYMBOLS	0 PLACES	±----	±----
	ANGULAR TOL ±	----	°
DRAFT WHERE APPLICABLE MUST REMAIN WITHIN DIMENSIONS		THIRD ANGLE PROJECTION	DRAWING C-SIZE
		SERIES 130006	2009/07/10
		CUSTOMER GENERAL MARKET	SHEET NUMBER 1 OF 1

molex		
MINI CHANGE ASSEMBLY		
3-POLE FEMALE ST 16/3AWG PVC		
PRODUCT CUSTOMER DRAWING		
DOCUMENT NUMBER	DOC TYPE/DOC PART	REVISION
SD-130006-008	PSD 001	C
MATERIAL NUMBER	CUSTOMER	SHEET NUMBER
	GENERAL MARKET	1 OF 1

X-ON Electronics

Largest Supplier of Electrical and Electronic Components

Click to view similar products for [Sensor Cables / Actuator Cables](#) category:

Click to view products by [Molex](#) manufacturer:

Other Similar products are found below :

[60963](#) [60964](#) [703000D02F2002](#) [703001D02F0602](#) [703001D02F300](#) [704000D02F120](#) [773032K02F030](#) [802027107404-1](#) [802027213811-1](#)
[804001A09M150](#) [805001A09M0502](#) [84914-0235](#) [84914-0237](#) [885030A09M020](#) [8R4J30E03C3003](#) [1200651332](#) [1200651713](#) [1200660844](#)
[1200660845](#) [1200661173](#) [1200680071](#) [1200720053](#) [1200720081](#) [1200720099](#) [1200720217](#) [1200800231](#) [1200860125](#) [1200870123](#)
[1200980102](#) [1200650267](#) [1200650298](#) [1200660183](#) [1200660782](#) [1200660849](#) [1200661295](#) [1200661297](#) [1200661342](#) [1200661343](#)
[1200670080](#) [1200670220](#) [1200680331](#) [1200720252](#) [1200730184](#) [1200860344](#) [1200870359](#) [1200870643](#) [1200980008](#) [1200980031](#)
[1210502211](#) [1210400542](#)