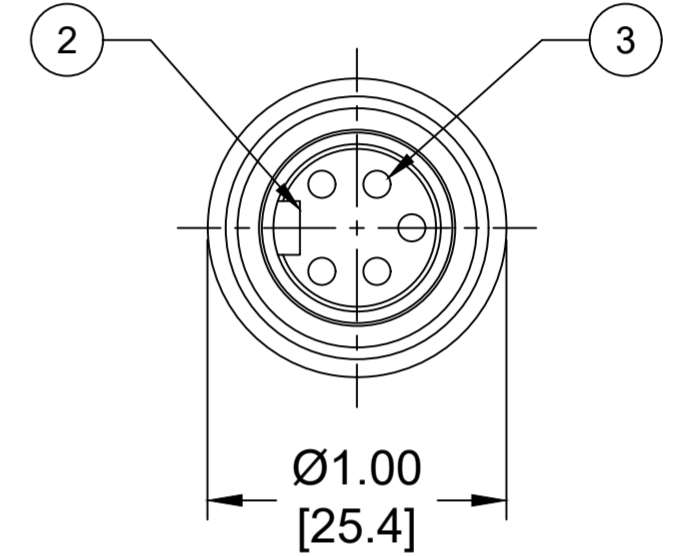
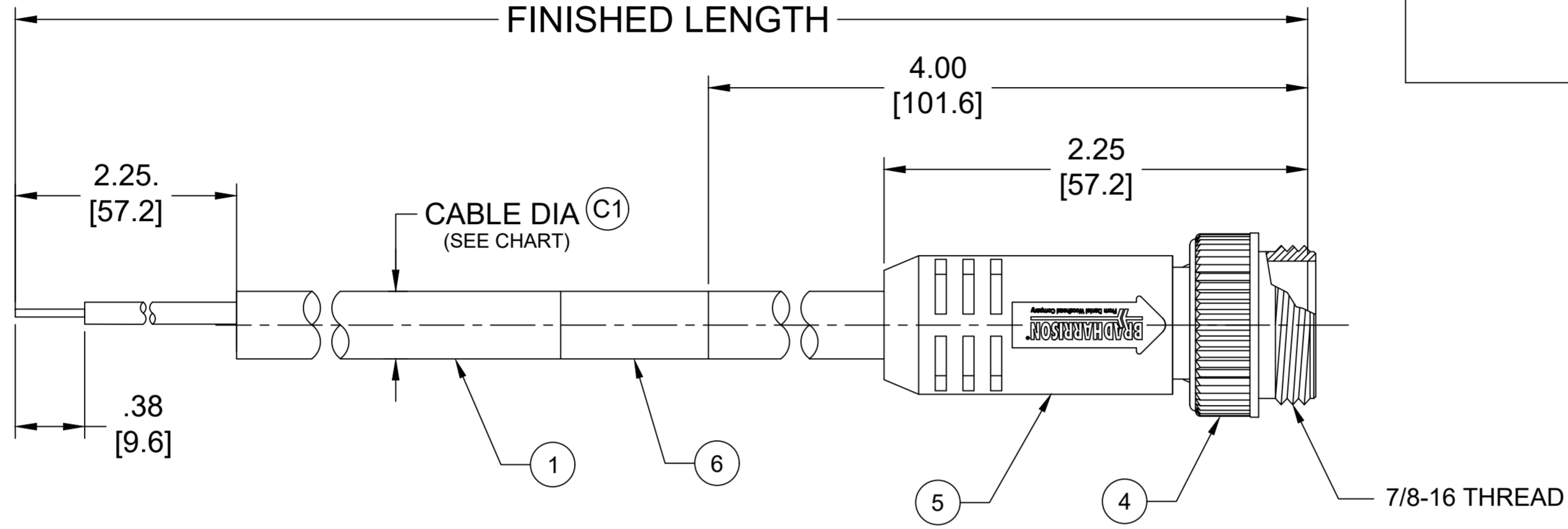


PART NO.	ENGINEERING NO.	FINISHED LENGTH	POLES	CABLE DIA.
1300061733	106006K13M003	0.3M [1FT]	6	.45 [11.4]
1300069051	105006K13M100	10M [32 FT 9 IN]	5	.40 [10.2]
1300062608	103006K13M250	25M [82FT]	3	.40 [10.2]

(C1)

FACE VIEW-MALE INSERT		
1 GREEN/YELLOW 2 BLACK 3 WHITE	1 WHITE 2 RED 3 GREEN/YELLOW 4 ORANGE 5 BLACK	1 WHITE 2 RED 3 GREEN/YELLOW 4 ORANGE 5 BLACK 6 BLUE



- NOTES:
- MATERIAL: AS NOTED
 - FINISH: AS NOTED
 - ELECTRICAL:
VOLTAGE - 3P: 500V PER IEC60664
600V PER UL2238
CURRENT: 13A
VOLTAGE - 5P & 6P: 400V PER IEC60664
600V PER UL2238
CURRENT - 5P & 6P: 8A (C1)
 - TEMP RATING: -20°TO +90°C (C1)
 - PROTECTION: IP67 (WHEN MATED)
 - UL LISTED FILE: E152210
 - ALL DIMENSIONS ARE FOR REFERENCE UNLESS TOLERANCED OR NOTED OTHERWISE

MECHANICAL CHARACTERISTICS:

TORSIONAL FLEX TEST	20 MILLION CYCLES PER MIL-C-13777G
BEND FLEX TEST	20 MILLION CYCLES PER MIL-C-13777G
WELD SLAG RESISTANCE	WOODHEAD STANDARD S-300

PART NO. MATRIX
105006K13M010

POLES (3, 5, 6)

CABLE LENGTH
M005 = 0.5 METER
M010 = 1.0 METER
M100 = 10.0 METER

CABLE LENGTH TOLERANCES

<.3M [1FT]:	+19mm-0 [+ .75in-0]
.3 - .9M [1 - 3FT]:	+44.5mm-0 [+1.75in-0]
.9 - 1.8M [3 - 6FT]:	+55.6mm-0 [+2.19in-0]
1.8 - 3.7M [6 - 12FT]:	+88.9mm-0 [+3.50in-0]
3.7 - 7.3M [12 - 24FT]:	+165.1mm-0 [+6.50in-0]
7.3-14.6M [24 - 48FT]:	+317.5mm-0 [+12.50in-0]
14.6 - 30.5M [48-100FT]:	+622.3mm-0 [+24.50in-0]
OVER 30M [100FT]	+2% OF FINISHED LENGTH

ITEM	DESCRIPTION	MATERIAL	FINISH
6	WRAP LABEL	VINYL	BLACK/YELLOW
5	OVERMOLD	TPE	YELLOW
4	COUPLING NUT	ZINC DIE-CAST	BLACK E-COAT
3	CONTACT PIN	COPPER ALLOY	GOLD PLATED
2	MALE INSERT (A-SIZE)	TPE	YELLOW
1	CABLE, 16 AWG (HI-FLEX)	TPE JACKET	YELLOW

FUNCTIONAL SYMBOLS FA=0 FC=0 FP=0	DIMENSION UNITS	SCALE	THIS DRAWING CONTAINS INFORMATION THAT IS PROPRIETARY TO MOLEX ELECTRONIC TECHNOLOGIES, LLC AND SHOULD NOT BE USED WITHOUT WRITTEN PERMISSION		
	INCH/MM	NTS	CURRENT REV DESC: ADDED CABLE DIA. MODIFIED 5P-6P CURRENT RATING, TEMP RATING AND PART NUMBER CHART		
	GENERAL TOLERANCES (UNLESS SPECIFIED)		EC NO: 655464		
	4 PLACES	±----	±----	DRWN: ABENJAMINLW	2020/10/28
3 PLACES	±----	±----	CHK'D: RSTONE	2021/02/16	
2 PLACES	±----	±----	APPR: BWOODMAN	2021/02/19	
1 PLACE	±----	±----	INITIAL REVISION:		
0 PLACES	±----	±----	DRWN: GGUSTAFS	2013/10/04	
ANGULAR TOL ± ---- °		APPR: BWOODMAN		2013/11/12	
DRAFT WHERE APPLICABLE MUST REMAIN WITHIN DIMENSIONS		THIRD ANGLE PROJECTION	DRAWING	SERIES	DOCUMENT NUMBER
			C-SIZE	130006	SD-130006-068
			SEE CHART	CUSTOMER	DOC TYPE/DOC PART/REVISION
			GENERAL MARKET		PSD 001 C1
					SHEET NUMBER
					1 OF 1

X-ON Electronics

Largest Supplier of Electrical and Electronic Components

Click to view similar products for [Sensor Cables / Actuator Cables](#) category:

Click to view products by [Molex](#) manufacturer:

Other Similar products are found below :

[60963](#) [60964](#) [703000D02F2002](#) [703001D02F0602](#) [703001D02F300](#) [704000D02F120](#) [773032K02F030](#) [802027107404-1](#) [802027213811-1](#)
[804001A09M150](#) [805001A09M0502](#) [84914-0235](#) [84914-0237](#) [885030A09M020](#) [8R4J30E03C3003](#) [1200651332](#) [1200651713](#) [1200660844](#)
[1200660845](#) [1200661173](#) [1200680071](#) [1200720053](#) [1200720081](#) [1200720099](#) [1200720217](#) [1200800231](#) [1200860125](#) [1200870123](#)
[1200980102](#) [1200650267](#) [1200650298](#) [1200660183](#) [1200660782](#) [1200660849](#) [1200661295](#) [1200661297](#) [1200661342](#) [1200661343](#)
[1200670080](#) [1200670220](#) [1200680331](#) [1200720252](#) [1200730184](#) [1200860344](#) [1200870359](#) [1200870643](#) [1200980008](#) [1200980031](#)
[1210502211](#) [1210400542](#)