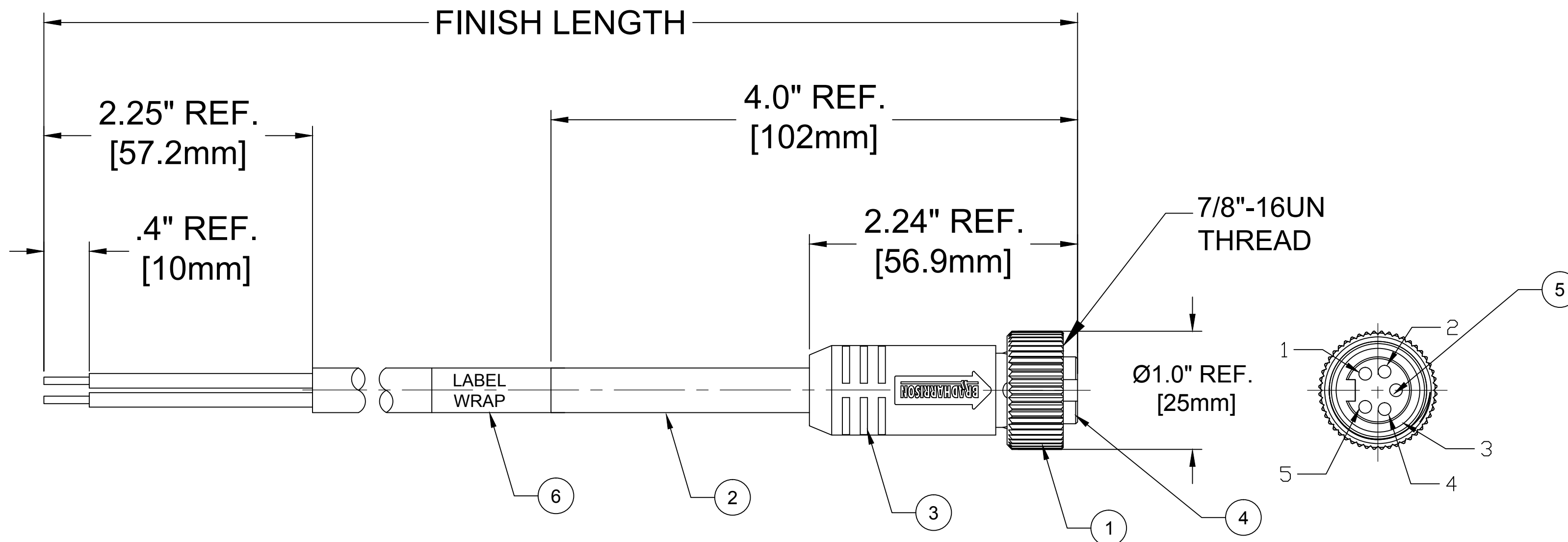


PART NO.	ENGINEERING NO.	FINISHED LENGTH
1300060048	105000K13M010	1.0M+55.6mm-0 [3'3"+2.19-0]
1300060049	105000K13M020	2.0M+88.9mm-0 [6'7"+3.50-0]

CHART
D



NOTES: D

- MATERIAL: AS NOTED
- FINISH: AS NOTED
- ELECTRICAL:
VOLTAGE: 400V PER IEC60664
600V PER UL2238
CURRENT: 10A
- TEMP RATING: -40°TO +90°C
- PROTECTION: IP67 (WHEN MATED)
- ALL DIMS ARE FOR REFERENCE UNLESS NOTED OTHERWISE
- UL LISTED PER FILE: E152210

105000K13M010

cable type
16/5C AWG
TPE YELLOW

cable length
M005= 0.5 METER
M010= 1 METER
M100= 10 METER

WIRING DIAGRAM

1	WHITE
2	RED
3	GREEN/YELLOW
4	ORANGE
5	BLACK

MECHANICAL CHARACTERISTICS:

TORSIONAL FLEX TEST	20 MILLION CYCLES PER MIL-C-13777G
BEND FLEX TEST	20 MILLION CYCLES PER MIL-C-13777G
WELD SLAG RESISTANCE	WOODHEAD STANDARD S-300

D

CABLE LENGTH TOLERANCES

>.3M [1FT]:	+19mm-0 [+ .75in-0]
.3 - .9M [1 - 3FT]:	+44.5mm-0 [+1.75in-0]
.9 - 1.8M [3 - 6FT]:	+55.6mm-0 [+2.19in-0]
1.8 - 3.7M [6 - 12FT]:	+88.9mm-0 [+3.50in-0]
3.7 - 7.3M [12 - 24FT]:	+165.1mm-0 [+6.50in-0]
7.3-14.6M [24 - 48FT]:	+317.5mm-0 [+12.50in-0]
14.6 - 30.5M [48-100FT]:	+622.3mm-0 [+24.50in-0]
OVER 30M [100FT]:	+2% OF FINISHED LENGTH

ITEM	DESCRIPTION	MATERIAL	FINISH
6	WRAP LABEL	VINYL	BLACK/YELLOW
5	CONTACT PIN	COPPER ALLOY	GOLD OVER Ni
4	INSERT	ARNITEL	YELLOW
3	OVERMOLD	ARNITEL	YELLOW
2	CABLE, 16/5C	STOOD FLX TPE	YELLOW
1	COUPLING NUT	ZINC DIE CAST	BLACK/E-COATED

D

ADD TABLE FOR PARTS	EC NO: IPG2018-0001
DRWN: AAKHTAR	2017/07/06
CHKD: MZIELIN	2017/07/06
APPR: BWOODMAN	2013/12/02
DESCRIPTION	
QUALITY SYMBOL	
▼=0	
▽=0	

	GENERAL TOLERANCES (UNLESS SPECIFIED)	
	mm	INCH
4 PLACES	±---	±---
3 PLACES	±---	±---
2 PLACES	±---	±.01
1 PLACE	±---	±---
ANGULAR ±.5°		
DRAFT WHERE APPLICABLE MUST REMAIN WITHIN DIMENSIONS		

DIMENSION STYLE	
IN/MM	
DRAWN BY	DATE
GGUSTAFS	2013/11/22
CHECKED BY	DATE
TWOLDEGE	2013/12/17
APPROVED BY	DATE
BWOODMAN	2013/12/02
MATERIAL NO.	
SEE CHART	
SIZE	
C	

SCALE	DESIGN UNITS	THIRD ANGLE PROJECTION	
---	INCH		
TITLE			
MINI CHANGE			
5 POLE FEMALE STRAIGHT			
16/5 AWG TPE YELLOW			
molex		MOLEX INCORPORATED	
DOCUMENT NO.		SHEET NO.	
SD-130006-069		1 OF 1	

THIS DRAWING CONTAINS INFORMATION THAT IS PROPRIETARY TO MOLEX INCORPORATED AND SHOULD NOT BE USED WITHOUT WRITTEN PERMISSION

X-ON Electronics

Largest Supplier of Electrical and Electronic Components

Click to view similar products for [Sensor Cables / Actuator Cables](#) category:

Click to view products by [Molex](#) manufacturer:

Other Similar products are found below :

[60963](#) [60964](#) [703000D02F2002](#) [703001D02F0602](#) [703001D02F300](#) [704000D02F120](#) [773032K02F030](#) [802027107404-1](#) [802027213811-1](#)
[804001A09M150](#) [805001A09M0502](#) [84914-0235](#) [84914-0237](#) [885030A09M020](#) [8R4J30E03C3003](#) [1200651332](#) [1200651713](#) [1200660844](#)
[1200660845](#) [1200661173](#) [1200680071](#) [1200720053](#) [1200720081](#) [1200720099](#) [1200720217](#) [1200800231](#) [1200860125](#) [1200870123](#)
[1200980102](#) [1200650267](#) [1200650298](#) [1200660183](#) [1200660782](#) [1200660849](#) [1200661295](#) [1200661297](#) [1200661342](#) [1200661343](#)
[1200670080](#) [1200670220](#) [1200680331](#) [1200720252](#) [1200730184](#) [1200860344](#) [1200870359](#) [1200870643](#) [1200980008](#) [1200980031](#)
[1210502211](#) [1210400542](#)