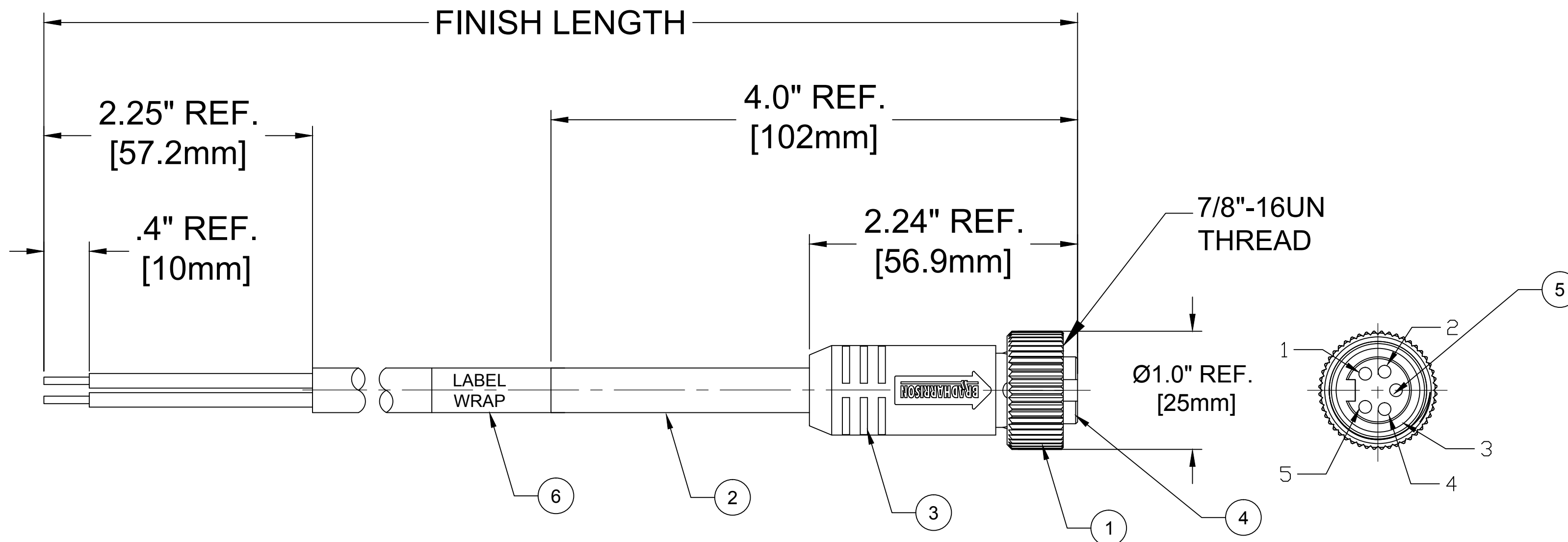


| PART NO. | ENGINEERING NO. | FINISHED LENGTH |
|------------|-----------------|-----------------------------|
| 1300060048 | 105000K13M010 | 1.0M+55.6mm-0 [3'3"+2.19-0] |
| 1300060049 | 105000K13M020 | 2.0M+88.9mm-0 [6'7"+3.50-0] |

CHART
D



NOTES: D

- MATERIAL: AS NOTED
- FINISH: AS NOTED
- ELECTRICAL:
VOLTAGE: 400V PER IEC60664
600V PER UL2238
CURRENT: 10A
- TEMP RATING: -40°TO +90°C
- PROTECTION: IP67 (WHEN MATED)
- ALL DIMS ARE FOR REFERENCE UNLESS NOTED OTHERWISE
- UL LISTED PER FILE: E152210

105000K13M010

cable type
16/5C AWG
TPE YELLOW

cable length
M005= 0.5 METER
M010= 1 METER
M100= 10 METER

WIRING DIAGRAM

| | |
|---|--------------|
| 1 | WHITE |
| 2 | RED |
| 3 | GREEN/YELLOW |
| 4 | ORANGE |
| 5 | BLACK |

MECHANICAL CHARACTERISTICS:

| | |
|----------------------|------------------------------------|
| TORSIONAL FLEX TEST | 20 MILLION CYCLES PER MIL-C-13777G |
| BEND FLEX TEST | 20 MILLION CYCLES PER MIL-C-13777G |
| WELD SLAG RESISTANCE | WOODHEAD STANDARD S-300 |

D

CABLE LENGTH TOLERANCES

| | |
|--------------------------|-------------------------|
| >.3M [1FT]: | +19mm-0 [+ .75in-0] |
| .3 - .9M [1 - 3FT]: | +44.5mm-0 [+1.75in-0] |
| .9 - 1.8M [3 - 6FT]: | +55.6mm-0 [+2.19in-0] |
| 1.8 - 3.7M [6 - 12FT]: | +88.9mm-0 [+3.50in-0] |
| 3.7 - 7.3M [12 - 24FT]: | +165.1mm-0 [+6.50in-0] |
| 7.3-14.6M [24 - 48FT]: | +317.5mm-0 [+12.50in-0] |
| 14.6 - 30.5M [48-100FT]: | +622.3mm-0 [+24.50in-0] |
| OVER 30M [100FT]: | +2% OF FINISHED LENGTH |

| ITEM | DESCRIPTION | MATERIAL | FINISH |
|------|--------------|---------------|----------------|
| 6 | WRAP LABEL | VINYL | BLACK/YELLOW |
| 5 | CONTACT PIN | COPPER ALLOY | GOLD OVER Ni |
| 4 | INSERT | ARNITEL | YELLOW |
| 3 | OVERMOLD | ARNITEL | YELLOW |
| 2 | CABLE, 16/5C | STOOD FLX TPE | YELLOW |
| 1 | COUPLING NUT | ZINC DIE CAST | BLACK/E-COATED |

| | | | | | | |
|---|---|--|-----------------|---|--------------|------------------------|
| ADD TABLE FOR PARTS EC NO: IPG2018-0001 DRWN: AAKHTAR 2017/07/06 CH'KD: MZIELIN 2017/07/06 APPR: BWOODMAN2013/12/02 | QUALITY SYMBOL | GENERAL TOLERANCES (UNLESS SPECIFIED) | DIMENSION STYLE | SCALE | DESIGN UNITS | THIRD ANGLE PROJECTION |
| | ▽=0 ▽C=0 | mm INCH 4 PLACES ±--- ±--- 3 PLACES ±--- ±--- 2 PLACES ±--- ±.01 1 PLACE ±--- ±--- | IN/MM | --- | INCH | |
| | DRAWN BY DATE GGUSTAFS 2013/11/22 CHECKED BY DATE TWOLDEGE 2013/12/17 APPROVED BY DATE BWOODMAN 2013/12/02 | ANGULAR ±.5° | | TITLE MINI CHANGE 5 POLE FEMALE STRAIGHT 16/5 AWG TPE YELLOW | | |
| | MATERIAL NO. SEE CHART SIZE C | DRAFT WHERE APPLICABLE MUST REMAIN WITHIN DIMENSIONS | | MOLEX INCORPORATED DOCUMENT NO. SD-130006-069 SHEET NO. 1 OF 1 | | |
| THIS DRAWING CONTAINS INFORMATION THAT IS PROPRIETARY TO MOLEX INCORPORATED AND SHOULD NOT BE USED WITHOUT WRITTEN PERMISSION | | | | | | |

X-ON Electronics

Largest Supplier of Electrical and Electronic Components

Click to view similar products for [Sensor Cables / Actuator Cables](#) category:

Click to view products by [Molex](#) manufacturer:

Other Similar products are found below :

[60963](#) [60964](#) [M83513/19-F01CP](#) [703000D02F2002](#) [703001D02F0602](#) [703001D02F300](#) [704000D02F120](#) [773032K02F030](#) [802027107404-1](#)
[802027213811-1](#) [804001A09M150](#) [805001A09M0502](#) [84914-0235](#) [84914-0237](#) [885030A09M020](#) [8R4J30E03C3003](#) [1200651332](#)
[1200651713](#) [1200660844](#) [1200660845](#) [1200661173](#) [1200680071](#) [1200720053](#) [1200720081](#) [1200720099](#) [1200720217](#) [1200800231](#)
[1200860125](#) [1200870123](#) [1200980102](#) [1200650267](#) [1200650298](#) [1200660183](#) [1200660782](#) [1200660849](#) [1200661295](#) [1200661297](#)
[1200661342](#) [1200661343](#) [1200670080](#) [1200670220](#) [1200680331](#) [1200720252](#) [1200730184](#) [1200860344](#) [1200870359](#) [1200870643](#)
[1200980008](#) [1200980031](#) [1210502211](#)