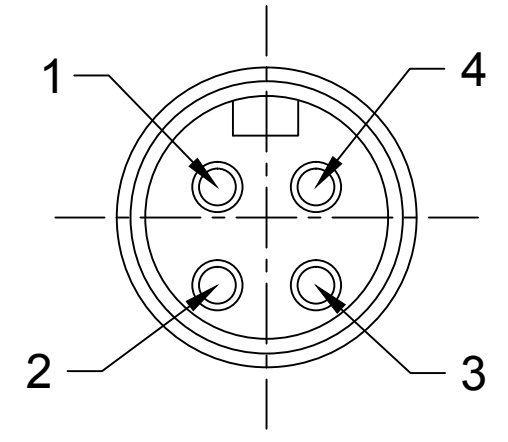
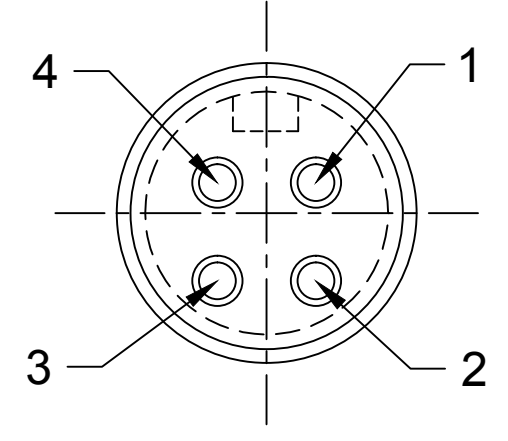


**FACE VIEW-MALE INSERT**



**BACK VIEW-MALE INSERT**

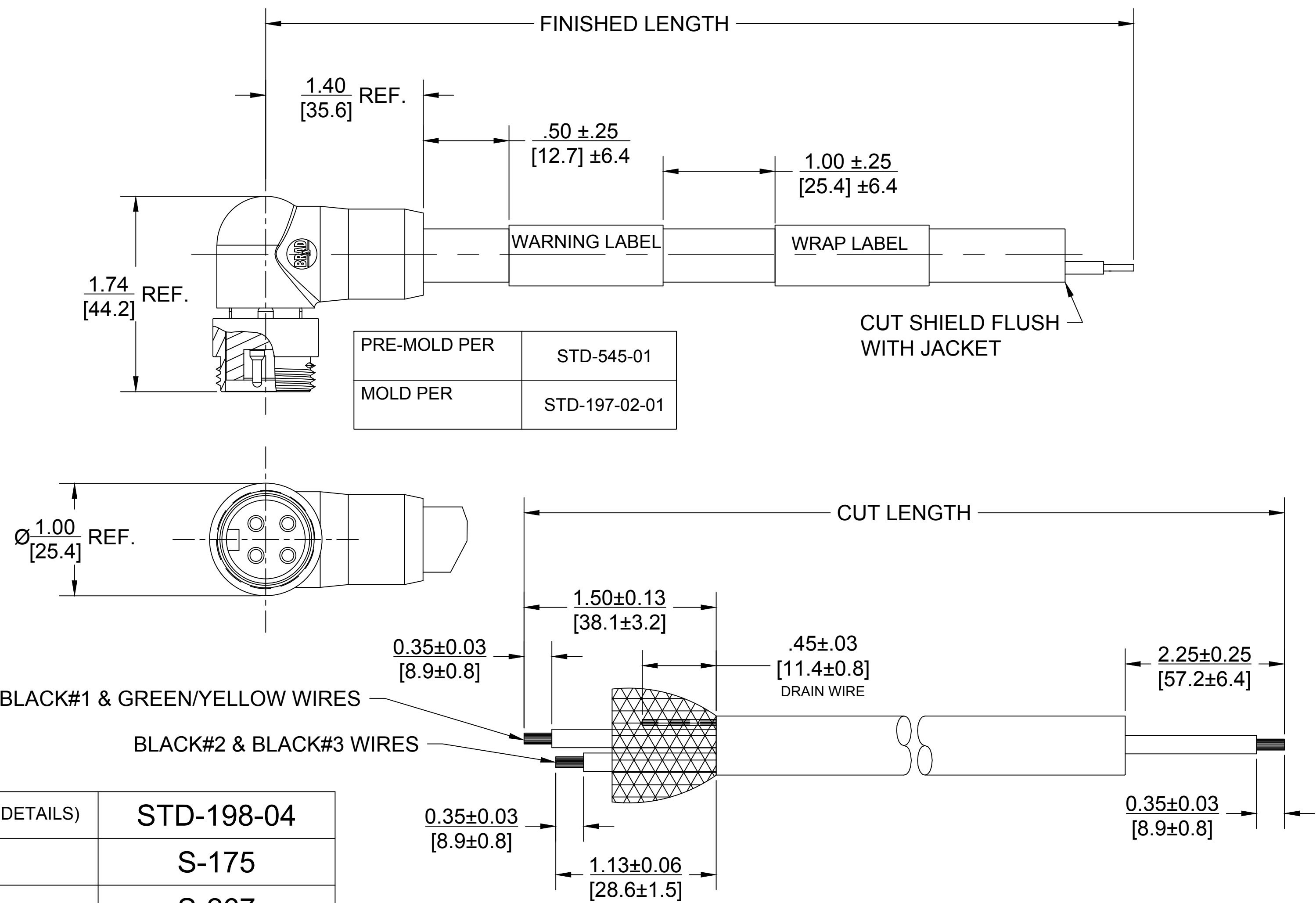


- 1 BLACK#1
- 2 BLACK#2
- 3 BLACK#3
- 4 GREEN/YELLOW

**NOTES**

1 PREPARE CABLE PER (SEE PRINT FOR EXTRA DETAILS)	<b>STD-198-04</b>
2 CABLE LENGTH TOLERANCES PER	<b>S-175</b>
3 CRIMP CONTACTS PER	<b>S-267</b>
4 APPLY WARNING LABEL 31-5561-01 AS SHOWN IN THE PRINT	
5 APPLY ADHESIVE PER	<b>S-136</b>
6 TEST PER	<b>S-165</b>
7 MARK LABEL PER	<b>S-189</b>
8 PACKAGE PER	<b>S-167</b>
9 INSTRUCTIONS PER	<b>S-208</b>

SAP P/N #	ENGINEERING P/N	FINISHED LENGTH
1300090835	104S07D27M0403	4M +165.1mm-0 (157.48" +6.5"-0)
1300090836	104S07D27M0503	5M +165.1mm-0 (196.85" +6.5"-0)



BLACK#1 & GREEN/YELLOW WIRES

BLACK#2 & BLACK#3 WIRES

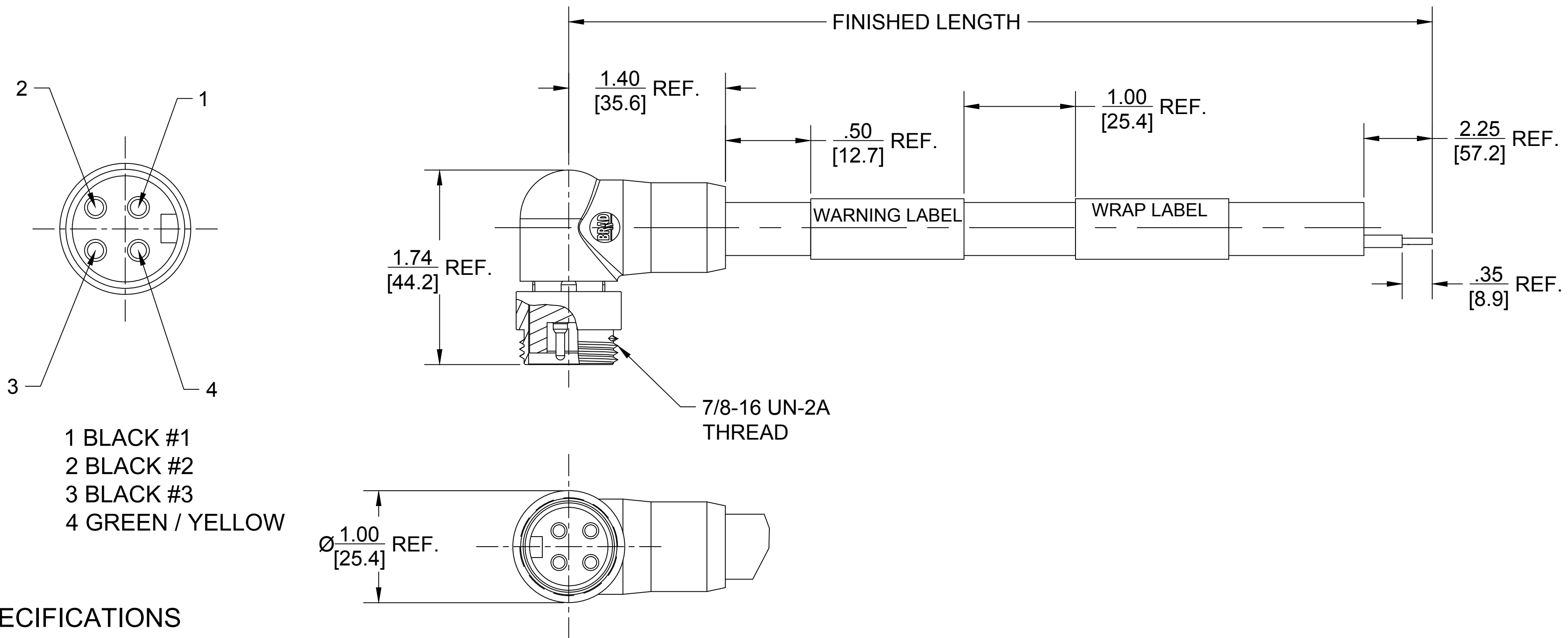
ADDED DIM. TO DRAIN WIRE	QUALITY SYMBOL
EC NO.: ICG2016-0121	▽=0
DRWN: BARDEN 2015/07/24	∇=0
CH'KD: ---	
APPR: KJOZWIK 2015/06/29	
DESCRIPTION	
REV	

GENERAL TOLERANCES (UNLESS SPECIFIED)	
	mm INCH
4 PLACES	±--- ±---
3 PLACES	±--- ±.005
2 PLACES	±0.13 ±.010
1 PLACE	±0.25 ±.020
ANGULAR ±.5°	
DRAFT WHERE APPLICABLE MUST REMAIN WITHIN DIMENSIONS	

DIMENSION STYLE IN/[MM]	
DRAWN BY	DATE
MZIELINS	2015/06/22
CHECKED BY	DATE
BARDEN	2015/06/26
APPROVED BY	DATE
BWOODMAN	2015/06/29
MATERIAL NO.	SEE TABLE
SIZE	C

SCALE	DESIGN UNITS	THIRD ANGLE PROJECTION	
NTS	INCH		
TITLE			
MINI CHANGE ASSEMBLY			
4 P MALE 90 360 SHIELD			
16 AWG VFD, BLACK PVC			
MOLEX INCORPORATED		SHEET NO.	
E-130009-150		1 OF 1	
THIS DRAWING CONTAINS INFORMATION THAT IS PROPRIETARY TO MOLEX INCORPORATED AND SHOULD NOT BE USED WITHOUT WRITTEN PERMISSION			

SAP P/N #	ENGINEERING P/N	FINISHED LENGTH
1300090835	104S07D27M0403	4M +165.1mm-0 (157.48" +6.5"-0)
1300090836	104S07D27M0503	5M +165.1mm-0 (196.85" +6.5"-0)



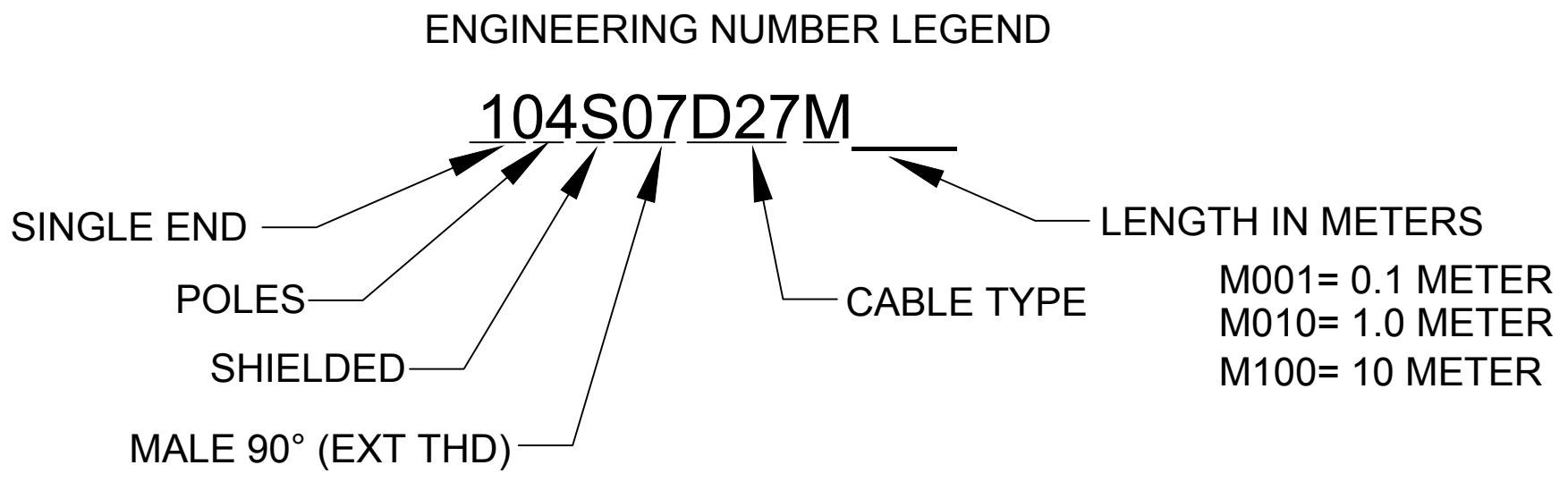
- 1 BLACK #1
- 2 BLACK #2
- 3 BLACK #3
- 4 GREEN / YELLOW

**SPECIFICATIONS**

**MATERIALS:**  
 COUPLING NUT: BRASS, NICKEL PLATED  
 CONTACTS: COPPER ALLOY, GOLD PLATED  
 INSERT: PVC, BLACK  
 OVERMOLD: PBT, GRAY  
 CABLE: 16/4 VFD PVC JACKET, BLACK  
 WRAP LABEL: VINYL, BLACK/YELLOW  
 WARNING LABEL VINYL, BLACK/ORANGE

**ELECTRICAL:**  
 CURRENT RATING: 10A  
 VOLTAGE: 600V AC/DC

**MECHANICAL:**  
 TEMPERATURE RATING: -40°C TO 90°C  
 PROTECTION: IP67 (IN FULLY MATED POSITION)



INITIAL RELEASE EC NO.: IPG2015-2162 DRWN: BARDEN 2015/06/15 CH'KD: MZIELINS 2015/06/26 APPR: BWOODMAN 2015/06/29	DESCRIPTION A	QUALITY SYMBOL	GENERAL TOLERANCES (UNLESS SPECIFIED)		DIMENSION STYLE IN/[MM]		SCALE NTS	DESIGN UNITS INCH	THIRD ANGLE PROJECTION		
		▽=0	mm	INCH	DRAWN BY	DATE	TITLE	MINI CHANGE ASSEMBLY 4 P MALE 90 360 SHIELD 16 AWG VFD, BLACK PVC			
		∇=0	4 PLACES ±---	±---	BARDEN	2015/06/15	MOLEX INCORPORATED SD-130009-150				
			3 PLACES ±---	±.005	CHECKED BY	DATE					SHEET NO. 1 OF 1
	2 PLACES ±0.13	±.010	MZIELINS	2015/06/26	THIS DRAWING CONTAINS INFORMATION THAT IS PROPRIETARY TO MOLEX INCORPORATED AND SHOULD NOT BE USED WITHOUT WRITTEN PERMISSION						
	1 PLACE ±0.25	±.020	APPROVED BY	DATE					MATERIAL NO. SEE TABLE		
	ANGULAR ±.5°		BWOODMAN	2015/06/29	DOCUMENT NO. SD-130009-150						
	DRAFT WHERE APPLICABLE MUST REMAIN WITHIN DIMENSIONS		MATERIAL NO. SEE TABLE						SIZE C		

## X-ON Electronics

Largest Supplier of Electrical and Electronic Components

*Click to view similar products for [Sensor Cables / Actuator Cables](#) category:*

*Click to view products by [Molex](#) manufacturer:*

Other Similar products are found below :

[60963](#) [60964](#) [M83513/19-F01CP](#) [703000D02F2002](#) [703001D02F0602](#) [703001D02F300](#) [704000D02F120](#) [773032K02F030](#) [802027107404-1](#)  
[802027213811-1](#) [804001A09M150](#) [805001A09M0502](#) [84914-0235](#) [84914-0237](#) [885030A09M020](#) [8R4J30E03C3003](#) [1200651332](#)  
[1200651713](#) [1200660844](#) [1200660845](#) [1200661173](#) [1200680071](#) [1200720053](#) [1200720081](#) [1200720099](#) [1200720217](#) [1200800231](#)  
[1200860125](#) [1200870123](#) [1200980102](#) [1200650267](#) [1200650298](#) [1200660183](#) [1200660782](#) [1200660849](#) [1200661295](#) [1200661297](#)  
[1200661342](#) [1200661343](#) [1200670080](#) [1200670220](#) [1200680331](#) [1200720252](#) [1200730184](#) [1200860344](#) [1200870359](#) [1200870643](#)  
[1200980008](#) [1200980031](#) [1210502211](#)