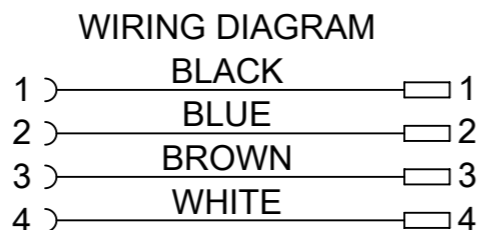
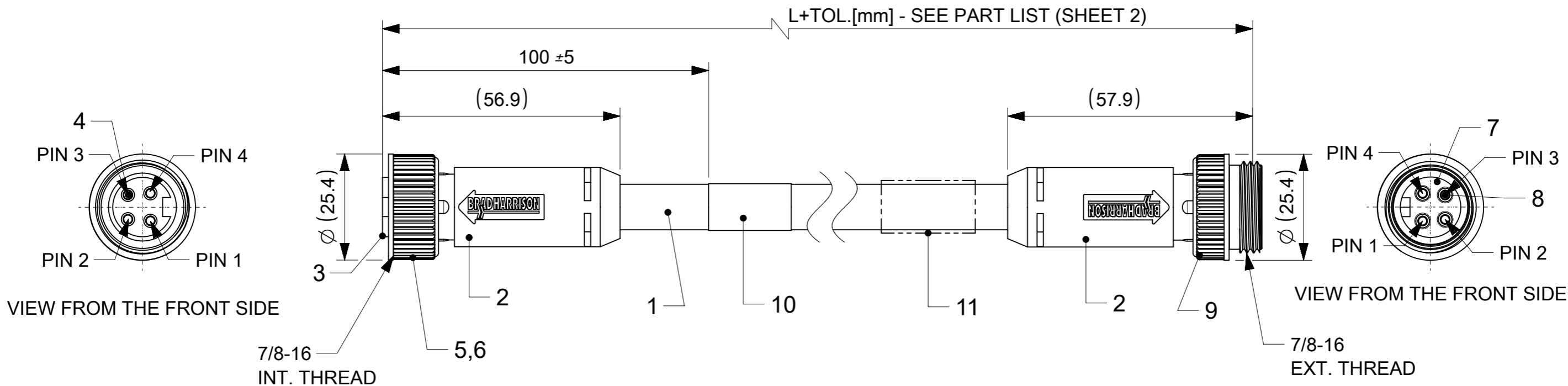
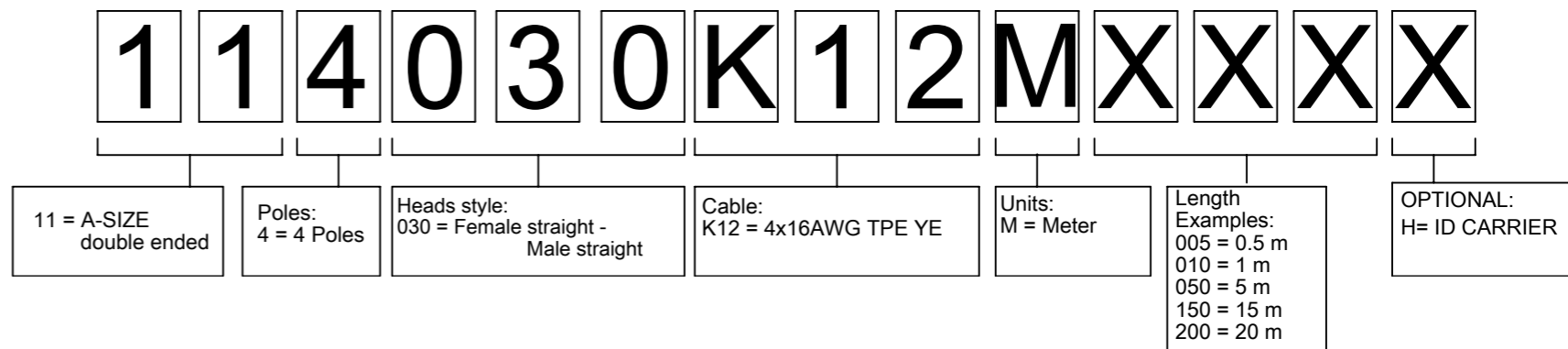


NOTES:

- ELECTRICAL:
 - VOLTAGE: 483V PER IEC 60664
600V PER UL 2238
 - CURRENT: 8A
- TEMP RATING: -20° TO +90°C
- PROTECTION: IP67 (WHEN MATED)
- UL CERTIFICATION: UL FILE NO. E152210
- ALL DIMS ARE FOR REFERENCE UNLES NOTED OTHERWISE
- PART NUMBER WITH "H" HAVE TWO ID MARKERS ONE ON EACH END



PART No. MATRIX



BILL OF MATERIALS

ITEM	QTY	DESCRIPTION	MATERIAL	FINISH/COLOR
11	2	ID CARRIER	PVC	-
10	1	LABEL WRAP	VINYL	YELLOW
9	1	COUPLING NUT A-SIZE EXT.	ZINC	BLACK
8	2	PIN CONTACT 16 AWG	COPPER ALLOY	Au-PLATED
7	1	HOUSING A-SIZE 4P MALE	ARNITEL	YELLOW
6	1	FRICTION RING A-SIZE	NYLON	GRAY
5	1	MC COUPLING NUT A-SIZE	ZINC	BLACK
4	2	MC SOCKET SLEEVE ASSY 16 AWG	COPPER ALLOY	Au-PLATED
3	1	HOUSING A-SIZE 4P FEMALE	ARNITEL	YELLOW
2	-	MOULDING MATERIAL	TPE	YELLOW
1	-	CABLE 16/4 TC-ER OD=11mm	TPE	YELLOW

FUNCTIONAL SYMBOLS	THIS DRAWING CONTAINS INFORMATION THAT IS PROPRIETARY TO MOLEX ELECTRONIC TECHNOLOGIES, LLC AND SHOULD NOT BE USED WITHOUT WRITTEN PERMISSION	CURRENT REV DESC:		molex				
	DIMENSION UNITS: mm SCALE: 1:1 GENERAL TOLERANCES (UNLESS SPECIFIED): ANGULAR TOL ± 0.5° 4 PLACES ± 3 PLACES ± 2 PLACES ± 0.05 1 PLACE ± 0.1 0 PLACES ±	EC NO: 638685 DRWN: ASZELAG 2020/06/01 CHK'D: DSTACHOWIAK 2020/06/01 APPR: DSTACHOWIAK 2020/06/01 INITIAL REVISION: DRWN: MKOWALCZYK01 2018/09/10 APPR: MMATLA 2018/09/11			CSE MC 4P MA STR TPE FE STR XM PRODUCT CUSTOMER DRAWING			
DIVISIONAL SYMBOLS	DRAFT WHERE APPLICABLE MUST REMAIN WITHIN DIMENSIONS	THIRD ANGLE PROJECTION	DRAWING: A3-SIZE	SERIES: 130010	DOCUMENT NUMBER: 1300100863	DOC TYPE: PSD	DOC PART: 000	REVISION: A2
MATERIAL NUMBER: SEE SHEET 2		CUSTOMER: GENERAL MARKET		SHEET NUMBER: 1 OF 2				

6 5 4 3 2 1

PART LIST

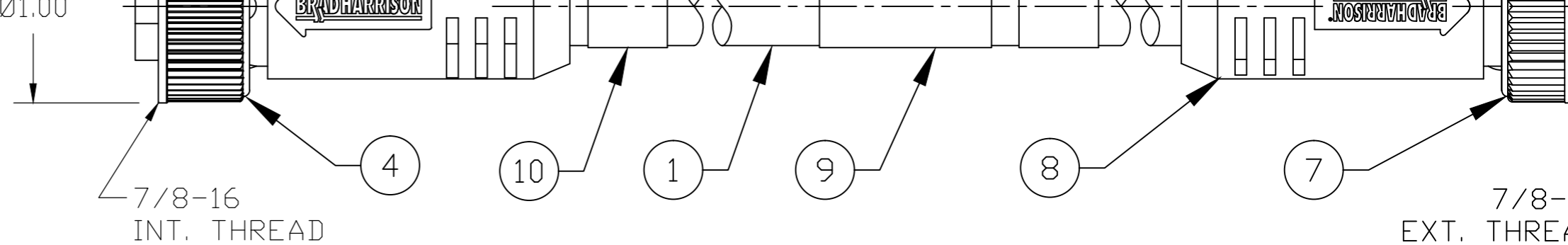
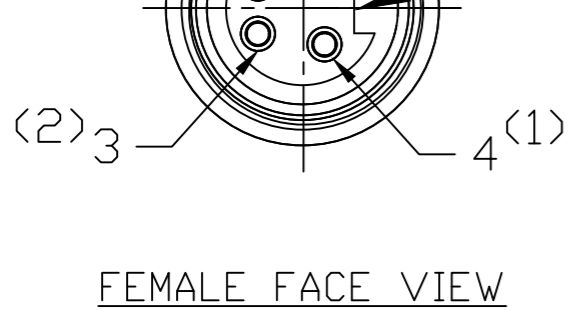
MOLEX PN	ENGINEERING NO.	LENGTH + TOL.[mm]
130010071	114030K12M700	70000 + 1400
130010072	114030K12M800	80000 + 1600
1300100863	114030K12M005	500 + 45
1300100864	114030K12M010	1000 + 56
1300100865	114030K12M020	2000 + 89
1300100866	114030K12M030	3000 + 89
1300100867	114030K12M040	4000 + 165
1300100868	114030K12M050	5000 + 165
1300100869	114030K12M060	6000 + 165
1300100870	114030K12M070	7000 + 165
1300100871	114030K12M080	8000 + 317
1300100872	114030K12M090	9000 + 317
1300100873	114030K12M100	10000 + 317
1300100874	114030K12M110	11000 + 317
1300100875	114030K12M120	12000 + 317
1300100876	114030K12M130	13000 + 317
1300100877	114030K12M150	15000 + 610
1300100879	114030K12M170	17000 + 610
1300100880	114030K12M180	18000 + 610
1300100881	114030K12M190	19000 + 610
1300100882	114030K12M200	20000 + 610
1300100884	114030K12M230	23000 + 610
1300100885	114030K12M250	25000 + 610

MOLEX PN	ENGINEERING NO.	LENGTH + TOL.[mm]
1300100886	114030K12M300	30000 + 610
1300100887	114030K12M350	35000 + 700
1300100888	114030K12M380	38000 + 760
1300100889	114030K12M460	46000 + 920
1300100890	114030K12M540	54000 + 1080
1300100891	114030K12M610	61000 + 1220
1300101638	114030K12M400	40000 + 800
1300101683	114030K12M270	27000 + 610
1300101711	114030K12M900	90000 + 1800
1300101723	114030K12M340	34000 + 680
1300101724	114030K12M420	42000 + 840
1300101725	114030K12M500	50000 + 1000
1300101726	114030K12M570	57000 + 1140
1300101754	114030K12M600	60000 + 1200
1300101862	114030K12M015	1500 +56
1300108347	114030K12M005H	500 + 45
1300108348	114030K12M050H	5000 + 165
1300108350	114030K12M060H	6000 + 165
1300101876	114030K12M003	300 +19

FUNCTIONAL SYMBOLS	THIS DRAWING CONTAINS INFORMATION THAT IS PROPRIETARY TO MOLEX ELECTRONIC TECHNOLOGIES, LLC AND SHOULD NOT BE USED WITHOUT WRITTEN PERMISSION		CURRENT REV DESC:		molex		
	DIMENSION UNITS	SCALE					
$F=0$	mm	1:1			CSE MC 4P MA STR TPE FE STR XM		
$F=0$	GENERAL TOLERANCES (UNLESS SPECIFIED)						
$F=0$	ANGULAR TOL ± 0.5°				PRODUCT CUSTOMER DRAWING		
$F=0$	4 PLACES	±					
DIVISIONAL SYMBOLS	3 PLACES	±	EC NO: 638685	2020/06/01	DOCUMENT NUMBER		
	2 PLACES	± 0.05	DRWN: ASZELAG	2020/06/01		1300100863	
	1 PLACE	± 0.1	CHK'D: DSTACHOWIAK	2020/06/01			DOC TYPE
	0 PLACES	±	APPR: DSTACHOWIAK	2020/06/01			
DRAFT WHERE APPLICABLE MUST REMAIN WITHIN DIMENSIONS			INITIAL REVISION:	2018/09/10	REVISION		
			DRWN: MKOWALCZYK01	2018/09/11		A2	
			APPR: MMATLA				
			THIRD ANGLE PROJECTION	DRAWING	SERIES		
				A4-SIZE	130010		
			MATERIAL NUMBER	CUSTOMER	SHEET NUMBER		
			SEE PART LIST	GENERAL MARKET	2 OF 2		

DOCUMENT STATUS P1 RELEASE DATE 2020/06/01 11:35:02

6 5 4 3 2 1



NOTES:

1. MATERIAL: SEE TABLE
2. FINISH: SEE TABLE
3. ELECTRICAL:
VOLTAGE: 483V PER IEC 60664
600V PER UL 2238
CURRENT: 8A
4. TEMP RATING: -20° TO +90°C
5. PROTECTION: IP67 (WHEN MATED)
6. UL CERTIFICATION: UL FILE NO. E152210
7. ALL DIMS ARE FOR REFERENCE
UNLESS NOTED OTHERWISE
8. PARTS WITH "H" IN MATRIX HAVE TWO ID CARRIERS ONE ON EACH SIDE D

CENELEC EN 50 044 PINDOUT SHOWN
(SAE-J-1738A SHOWN IN PARENTHESIS)

114030

4 (1)	BLACK	4 (1)
3 (2)	BLUE	3 (2)
1 (3)	BROWN	1 (3)
2 (4)	WHITE	2 (4)

MECHANICAL CHARACTERISTICS:

TORSIONAL FLEX TEST	20 MILLION CYCLES PER MIL-C-13777G
BEND FLEX TEST	20 MILLION CYCLES PER MIL-C-13777G
WELD SLAG RESISTANCE	WOODHEAD STANDARD S-300

ITEM	DESCRIPTION	MATERIAL	FINISH
10	ID CARRIER	PVC	CLEAR
9	WRAP LABEL	VINYL	BLACK/YELLOW
8	OVERMOLD	ARNITEL	YELLOW
7	COUPLING, MALE	ZINC DIE-CAST	BLACK
6	CONTACT PIN	COPPER ALLOY	GOLD PLATED
5	MALE INSERT (A-SIZE)	ARNITEL	YELLOW
4	COUPLING, FEMALE	ZINC DIE-CAST	BLACK
3	CONTACT SOCKET	COPPER ALLOY	GOLD PLATED
2	FEMALE INSERT (A-SIZE)	ARNITEL	YELLOW
1	CABLE, 16/4 TC-ER (HI-FLEX)	TPE JACKET	YELLOW

ADD ID MARKERS
EC NO: IPG2018-0458
DRWN: MZIELINS 2018/04/10
CHK'D: ---
APPR: BWOODMAN2012/03/08

QUALITY SYMBOL
▽=0
▽C=0

	GENERAL TOLERANCES (UNLESS SPECIFIED)	
	mm	INCH
4 PLACES	±---	±---
3 PLACES	±---	±---
2 PLACES	±---	±---
1 PLACE	±---	±---
ANGULAR ±---°		
DRAFT WHERE APPLICABLE MUST REMAIN WITHIN DIMENSIONS		

DIMENSION STYLE INCH ONLY	
DRAWN BY	DATE
VOU	2012/01
CHECKED BY	DATE
TWOLDEGE	2012/02
APPROVED BY	DATE
JFMURPHY	2012/03
MATERIAL NO. ---	
SIZE C	THIS DRAWING INCORPORATED

X-ON Electronics

Largest Supplier of Electrical and Electronic Components

Click to view similar products for [Gate Drivers](#) category:

Click to view products by [Molex](#) manufacturer:

Other Similar products are found below :

[00028](#) [00053P0231](#) [8967380000](#) [56956](#) [CR7E-30DB-3.96E\(72\)](#) [57.404.7355.5](#) [LT4936](#) [57.904.0755.0](#) [5801-0903](#) [5803-0901](#) [5811-0902](#)
[5813-0901](#) [58410](#) [00576P0030](#) [00581P0070](#) [5882900001](#) [00103P0020](#) [00600P0005](#) [00-9050-LRPP](#) [00-9090-RDPP](#) [5951900000](#) [01-](#)
[1003W-10/32-15](#) [LTI LA6E-1S-WH-RC-FN12VXCR1](#) [0131700000](#) [00-2240](#) [LTP70N06](#) [LVP640](#) [0158-624-00](#) [5J0-1000LG-SIL](#) [020017-13](#)
[LY1D-2-5S-AC120](#) [LY2-0-US-AC120](#) [LY2-US-AC240](#) [LY3-UA-DC24](#) [00-5150](#) [00576P0020](#) [00600P0010](#) [LZNQ2M-US-DC5](#) [LZNQ2-](#)
[US-DC12](#) [LZP40N10](#) [00-8196-RDPP](#) [00-8274-RDPP](#) [00-8275-RDNP](#) [00-8609-RDPP](#) [00-8722-RDPP](#) [00-8728-WHPP](#) [00-8869-RDPP](#) [00-](#)
[9051-RDPP](#) [00-9091-LRPP](#) [00-9291-RDPP](#)