

F

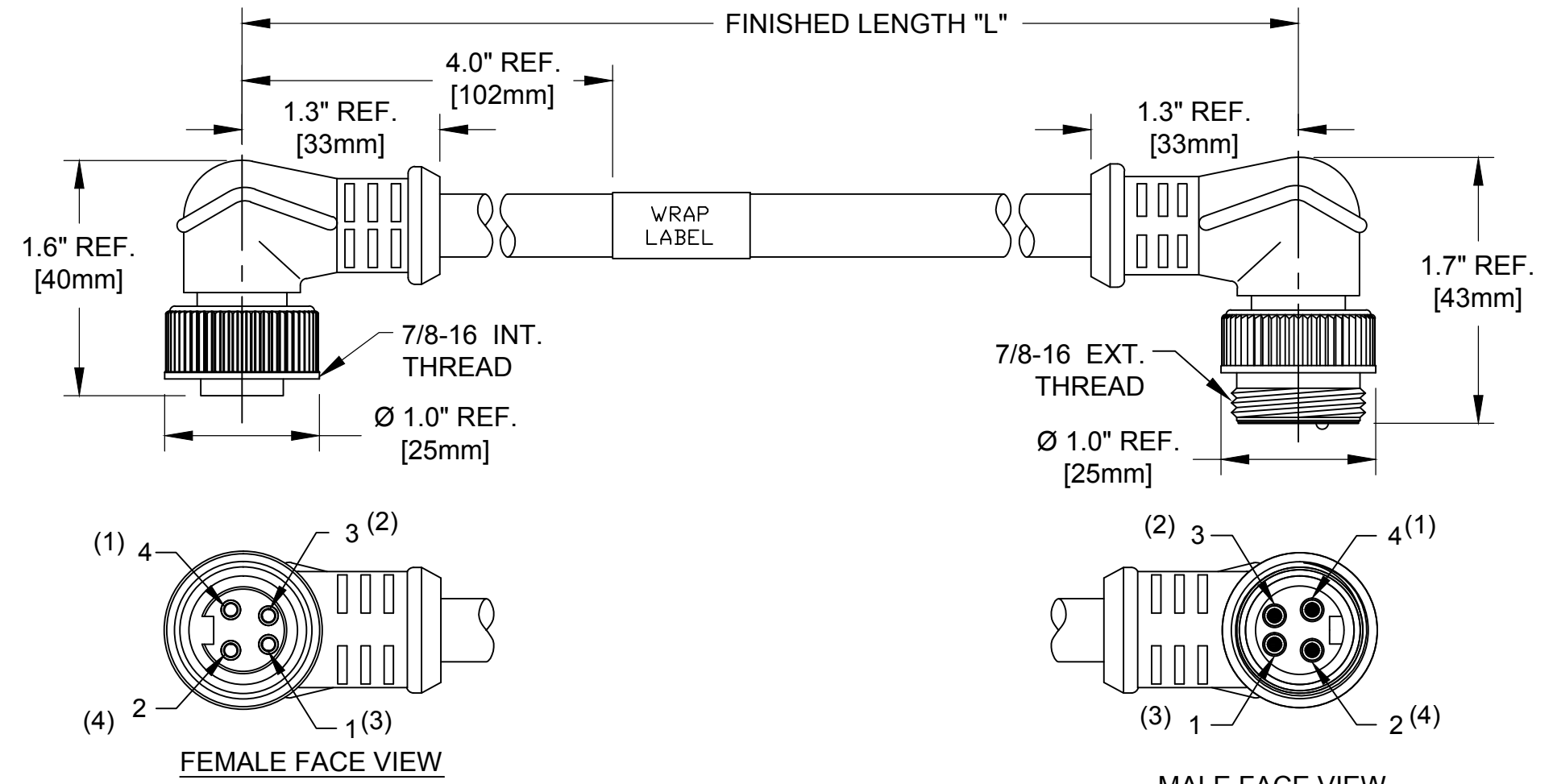
E

D

C

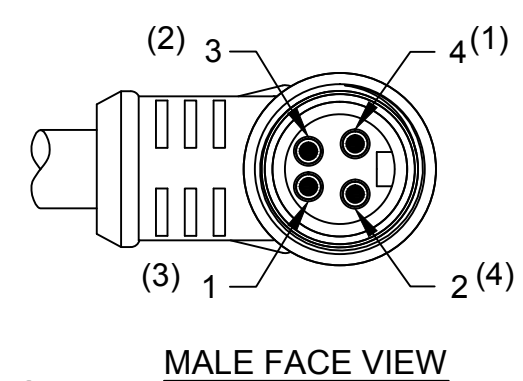
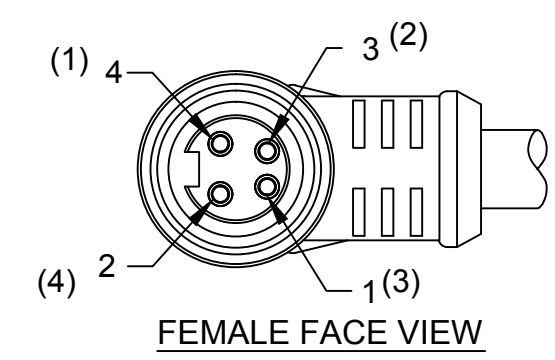
B

A



CENELEC EN 50 044 PINOUT SHOWN  
(SAE-J-1738A SHOWN IN PARENTHESIS)

4 (1)	BLACK	4 (1)
3 (2)	BLUE	3 (2)
1 (3)	BROWN	1 (3)
2 (4)	WHITE	2 (4)



SPECIFICATION DATA

COMPONENT	MATERIAL	FINISH
LABEL	MYLAR	BLACK/YELLOW
COUPLER	ZINC	BLACK ELECTROPHORETIC COATING
CONTACT	COPPER ALLOY	Au OVER Ni
INSERT	TPE	YELLOW
OVERMOLD	TPE	YELLOW
CABLE #16/4	TPE	YELLOW
VOLTAGE RATING:		600V
AMPERAGE RATING:		10A
PROTECTION CLASS:		IP 67
OPERATING TEMPERATURE:		-20°C / 90°C

114033K12M005

cable type #16/4 C AWG  
 TPE YELLOW  
 cable length  
 005---.5 Meters  
 010----1 Meters  
 100----10 Meters

MOLEX SAP P/N#	ENGINEERING P/N#	"L" (Meters)	"L" (INCH)	TOLERANCE (INCH)
1300101743	114033K12M005	0.5 M	19.68"	+1.75"/-0.00"
1300100982	114033K12M010	1.0 M	39.37"	+2.19"/-0.00"
1300101905	114033K12M100	10.0 M	393.70"	+12.50"/-0.00"
1300101907	114033K12M150	15.0 M	590.55"	+24.50"/-0.00"
1300101908	114033K12M200	20.0 M	787.40"	+24.50"/-0.00"

ADDED PART NUMBERS EC NO: IPG2014-1140 DRWN: GGUSTAFS 2013/12/17 CHKD: BARDEN APPR: BWOODMAN 2012/03/08	DESCRIPTION REV B	QUALITY SYMBOLS ▽=0 ▽C=0	GENERAL TOLERANCES (UNLESS SPECIFIED) mm INCH 4 PLACES ±--- ±--- 3 PLACES ±--- ±.005 2 PLACES ±.13 ±.010 1 PLACE ±.25 ±.020 ANGULAR ±.5°	DIMENSION STYLE IN/MM DRAWN BY DATE VOU 2012/01/19 CHECKED BY DATE BWOODMAN 2012/02/17 APPROVED BY DATE JFMURPHY 2012/03/08	SCALE NTS DESIGN UNITS INCH THIRD ANGLE PROJECTION	TITLE MINI-CHANGE CORDSET 4P MALE/FEMALE 90/90 #16/4 AWG TPE CABLE	MATERIAL NO. SEE CHART	DOCUMENT NO. SD-130010-020	SHEET NO. 1 OF 1	
		DRAFT WHERE APPLICABLE MUST REMAIN WITHIN DIMENSIONS			SIZE B	THIS DRAWING CONTAINS INFORMATION THAT IS PROPRIETARY TO MOLEX INCORPORATED AND SHOULD NOT BE USED WITHOUT WRITTEN PERMISSION				

## X-ON Electronics

Largest Supplier of Electrical and Electronic Components

*Click to view similar products for [Sensor Cables / Actuator Cables](#) category:*

*Click to view products by [Molex](#) manufacturer:*

Other Similar products are found below :

[60963](#) [60964](#) [703000D02F2002](#) [703001D02F0602](#) [703001D02F300](#) [704000D02F120](#) [773032K02F030](#) [802027107404-1](#) [802027213811-1](#)  
[804001A09M150](#) [805001A09M0502](#) [84914-0235](#) [84914-0237](#) [885030A09M020](#) [8R4J30E03C3003](#) [1200651332](#) [1200651713](#) [1200660844](#)  
[1200660845](#) [1200661173](#) [1200680071](#) [1200720053](#) [1200720081](#) [1200720099](#) [1200720217](#) [1200800231](#) [1200860125](#) [1200870123](#)  
[1200980102](#) [1200650267](#) [1200650298](#) [1200660183](#) [1200660782](#) [1200660849](#) [1200661295](#) [1200661297](#) [1200661342](#) [1200661343](#)  
[1200670080](#) [1200670220](#) [1200680331](#) [1200720252](#) [1200730184](#) [1200860344](#) [1200870359](#) [1200870643](#) [1200980008](#) [1200980031](#)  
[1210502211](#) [1210400542](#)