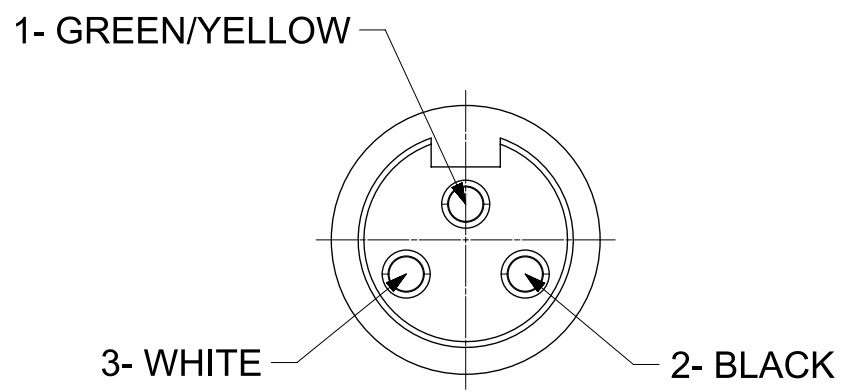
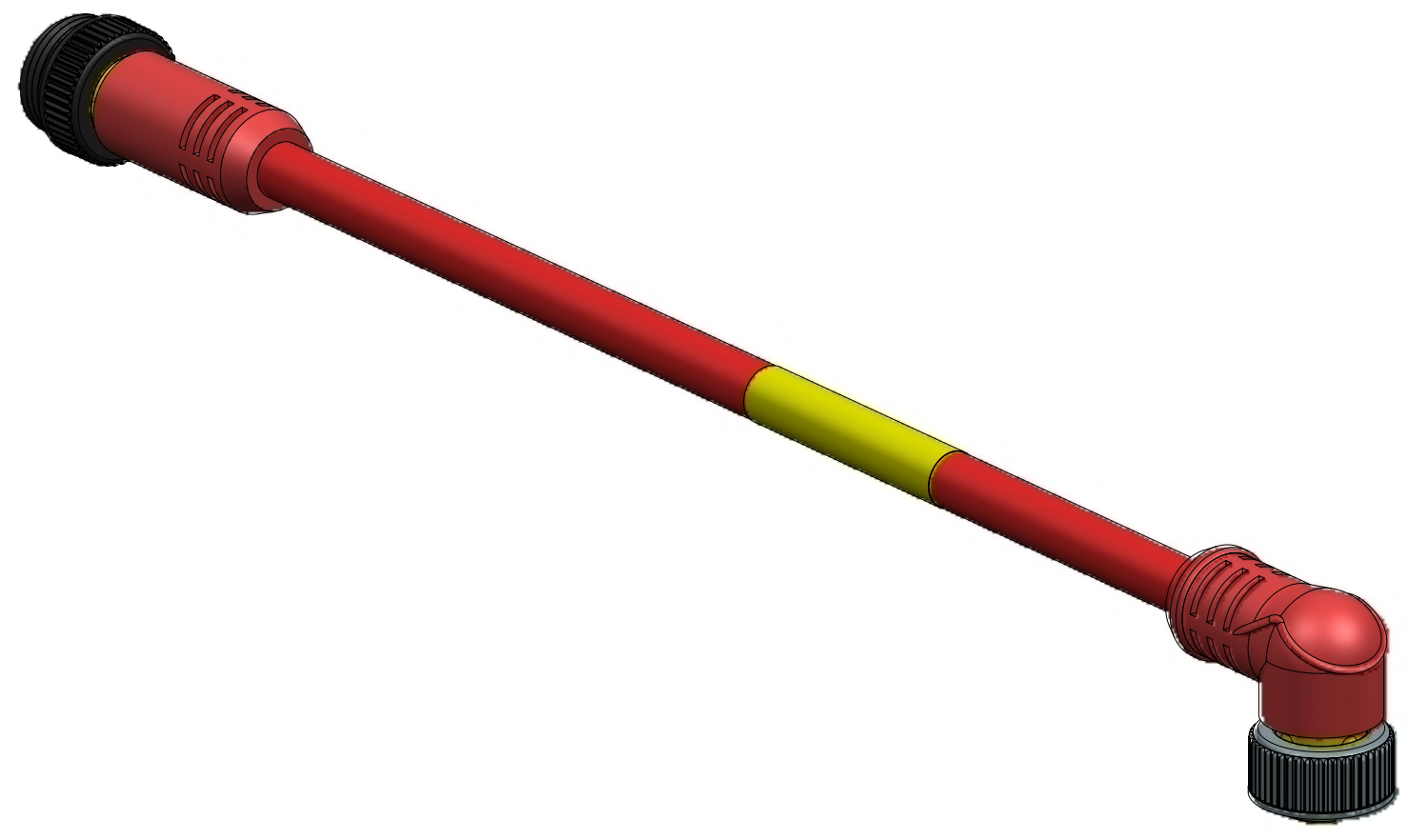
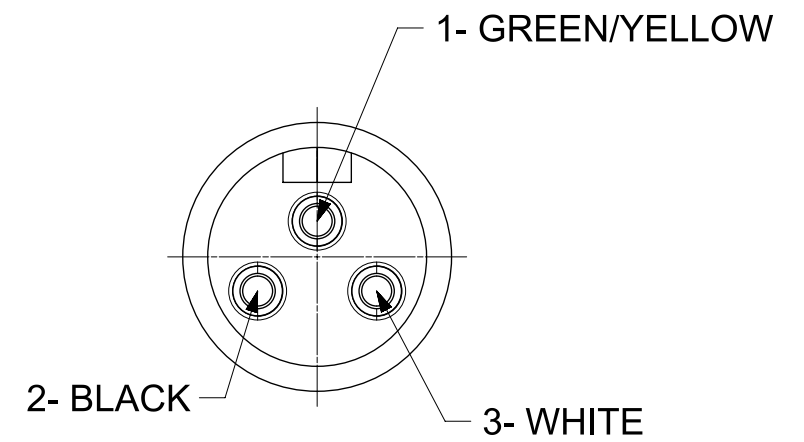


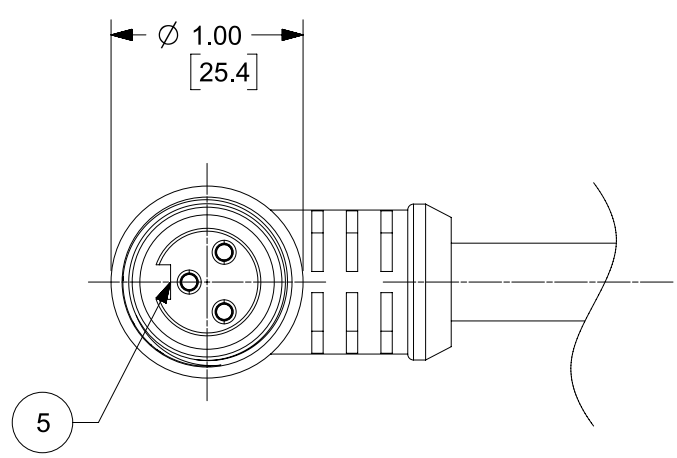
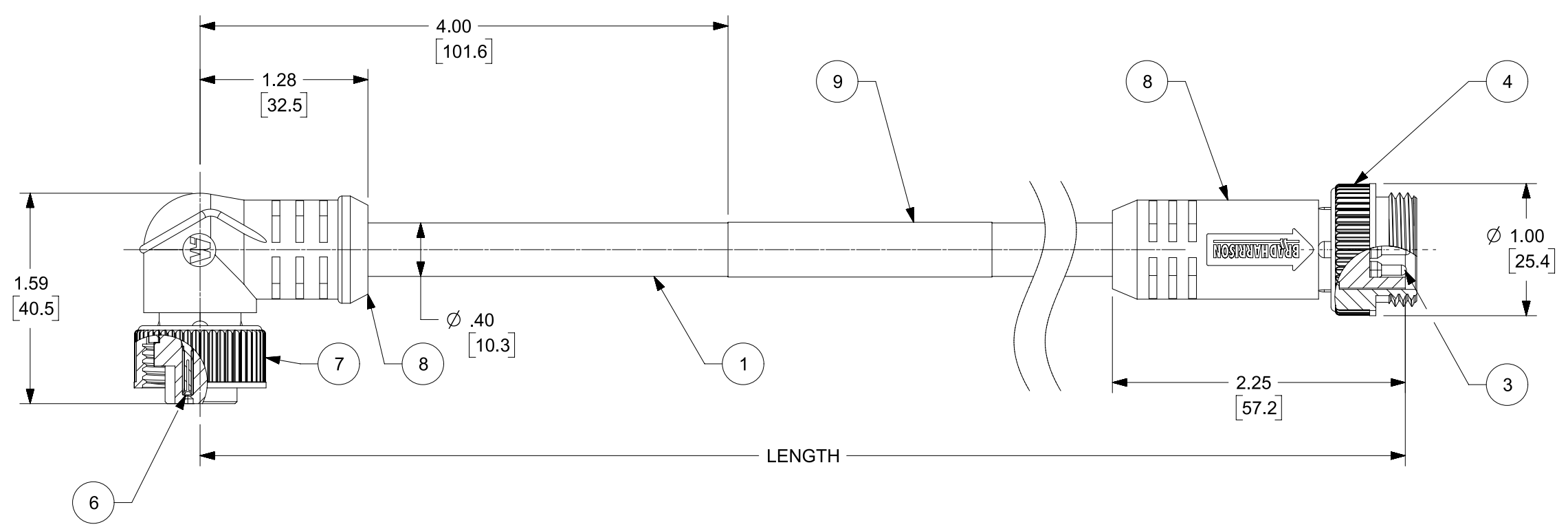
| PART NO. | ENGINEERING NO. | LENGTH |
|------------|-----------------|----------------|
| 1300102111 | 113031K10M010E | 1M (3 FT 3 IN) |
| 1300102171 | 113031K10M020E | 2M (6 FT 7 IN) |



FEMALE FACE VIEW



MALE FACE VIEW



- NOTES:
- MATERIAL: AS NOTED
 - FINISH: AS NOTED
 - ELECTRICAL:
VOLTAGE: 500V PER IEC60664
600V PER UL2238
CURRENT: 13A
 - TEMP RATING: -20°C TO +90°C
 - PROTECTION: IP67 (WHEN MATED)
 - COUPLING THREADS: 7/8"-16UN
 - ADDITIONAL CABLE SPECIFICATIONS:
TORSIONAL FLEX TEST: 20 MILLION CYCLES
BEND FLEX TEST: 20 MILLION CYCLES AT 10X OD
 - ALL DIMS ARE FOR REFERENCE UNLESS TOLERANCED OR NOTED OTHERWISE
 - UL APPROVAL: PENDING

PART NUMBER MATRIX

113031K10M010E

LENGTH
M001 = .1 METERS
M010 = 1.0 METERS
M100 = 10 METERS

SALES DRAWING
CUSTOMER PRODUCTION APPROVAL
APPROVED BY: _____
DATE: _____
MUST BE SIGNED AND RETURNED
BEFORE PRODUCTION WILL BEGIN

| ITEM | DESCRIPTION | MATERIAL | FINISH |
|------|-----------------------------|---------------|--------------|
| 9 | WRAP LABEL | VINYL | BLACK/YELLOW |
| 8 | OVERMOLD | TPE | RED |
| 7 | FEMALE COUPLER | ZINC DIE CAST | BLACK E-COAT |
| 6 | CONTACT SOCKET | COPPER ALLOY | GOLD PLATED |
| 5 | FEMALE INSERT (A-SIZE) | TPE | YELLOW |
| 4 | MALE COUPLER | ZINC DIE CAST | BLACK E-COAT |
| 3 | CONTACT PIN | COPPER ALLOY | GOLD PLATED |
| 2 | MALE INSERT (A-SIZE) | TPE | YELLOW |
| 1 | CABLE #16-3 AWG TC-ER, FT-4 | TPE JACKET | RED |

CABLE LENGTH TOLERANCES

| | |
|--------------------------|-------------------------|
| >.3M [1FT]: | +19mm-0 [+1.75in-0] |
| .3 - .9M [1 - 3FT]: | +44.5mm-0 [+1.75in-0] |
| .9 - 1.8M [3 - 6FT]: | +55.6mm-0 [+2.19in-0] |
| 1.8 - 3.7M [6 - 12FT]: | +88.9mm-0 [+3.50in-0] |
| 3.7 - 7.3M [12 - 24FT]: | +165.1mm-0 [+6.50in-0] |
| 7.3-14.6M [24 - 48FT]: | +317.5mm-0 [+12.50in-0] |
| 14.6 - 30.5M [48-100FT]: | +622.3mm-0 [+24.50in-0] |
| OVER 30M [100FT] | +2% OF FINISHED LENGTH |

| SYMBOLS | | THIS DRAWING CONTAINS INFORMATION THAT IS PROPRIETARY TO MOLEX ELECTRONIC TECHNOLOGIES, LLC AND SHOULD NOT BE USED WITHOUT WRITTEN PERMISSION | |
|---------|--|---|-----------------------------------|
| ▽ = 0 | DIMENSION UNITS | SCALE | CURRENT REV DESC: INITIAL RELEASE |
| ▽ = 0 | HYBRID | 1:1 | |
| ▽ = 0 | GENERAL TOLERANCES (UNLESS SPECIFIED) | | |
| ▽ = 0 | ANGULAR TOL | ± ° | |
| ▽ = 0 | 4 PLACES | ± | EC NO: 623053 |
| ▽ = 0 | 3 PLACES | ± | DRWN: MZIELINSKI 2017/09/13 |
| ▽ = 0 | 2 PLACES | ± | CHK'D: MZIELINSKI 2019/08/28 |
| ▽ = 0 | 1 PLACE | ± | APPR: BWOODMAN 2019/08/29 |
| ▽ = 0 | 0 PLACES | ± | INITIAL REVISION: |
| ▽ = 0 | DRAFT WHERE APPLICABLE MUST REMAIN WITHIN DIMENSIONS | | DRWN: MZIELINSKI 2017/09/13 |
| ▽ = 0 | THIRD ANGLE PROJECTION | | APPR: BWOODMAN 2019/08/29 |
| | DRAWING | SERIES | DOCUMENT NUMBER |
| | C-SIZE | 130010 | 1300102111 |
| | MATERIAL NUMBER | CUSTOMER | DOC TYPE DOC PART REVISION |
| | SEE P/N CHART | FORD | PSD 000 A |
| | | | SHEET NUMBER |
| | | | 1 OF 1 |

| DOCUMENT STATUS | P1 | RELEASE DATE | 2019/08/29 15:48:00 |
|-----------------|----|--------------|---------------------|
|-----------------|----|--------------|---------------------|

X-ON Electronics

Largest Supplier of Electrical and Electronic Components

Click to view similar products for [Sensor Cables / Actuator Cables](#) category:

Click to view products by [Molex](#) manufacturer:

Other Similar products are found below :

[60963](#) [60964](#) [M83513/19-F01CP](#) [703000D02F2002](#) [703001D02F0602](#) [703001D02F300](#) [704000D02F120](#) [773032K02F030](#) [802027107404-1](#)
[802027213811-1](#) [804001A09M150](#) [805001A09M0502](#) [84914-0235](#) [84914-0237](#) [885030A09M020](#) [8R4J30E03C3003](#) [1200651332](#)
[1200651713](#) [1200660844](#) [1200660845](#) [1200661173](#) [1200680071](#) [1200720053](#) [1200720081](#) [1200720099](#) [1200720217](#) [1200800231](#)
[1200860125](#) [1200870123](#) [1200980102](#) [1200650267](#) [1200650298](#) [1200660183](#) [1200660782](#) [1200660849](#) [1200661295](#) [1200661297](#)
[1200661342](#) [1200661343](#) [1200670080](#) [1200670220](#) [1200680331](#) [1200720252](#) [1200730184](#) [1200860344](#) [1200870359](#) [1200870643](#)
[1200980008](#) [1200980031](#) [1210502211](#)