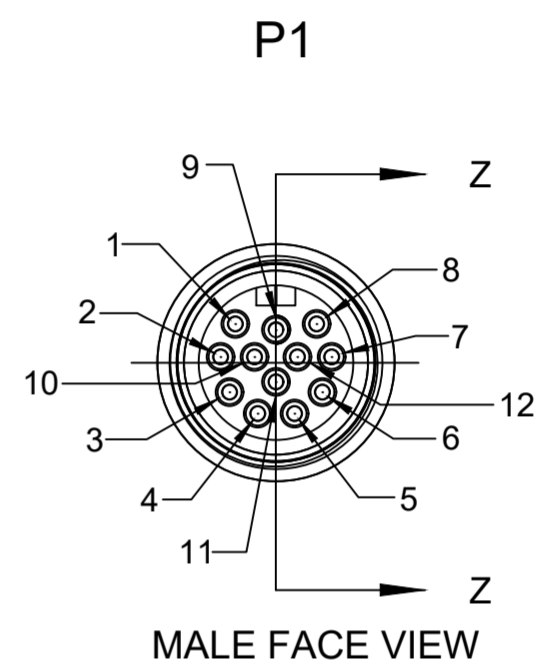
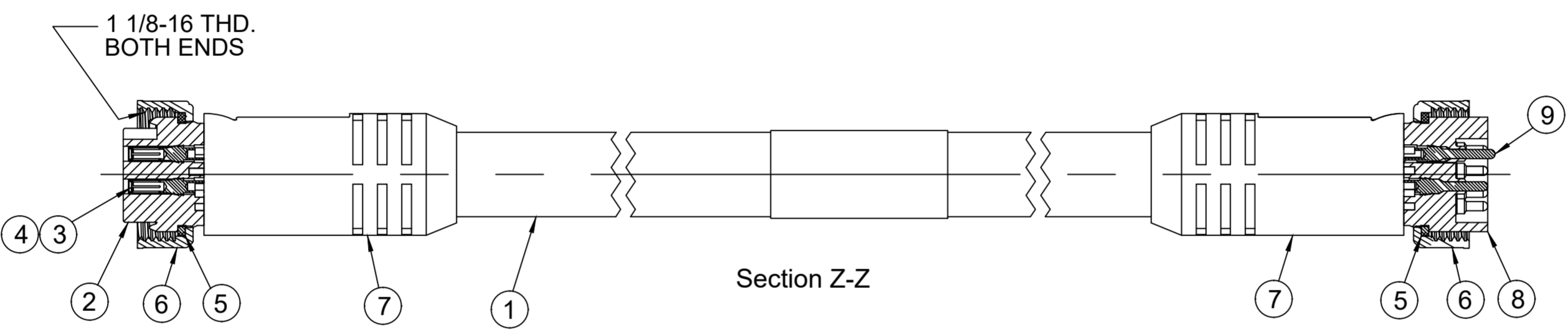
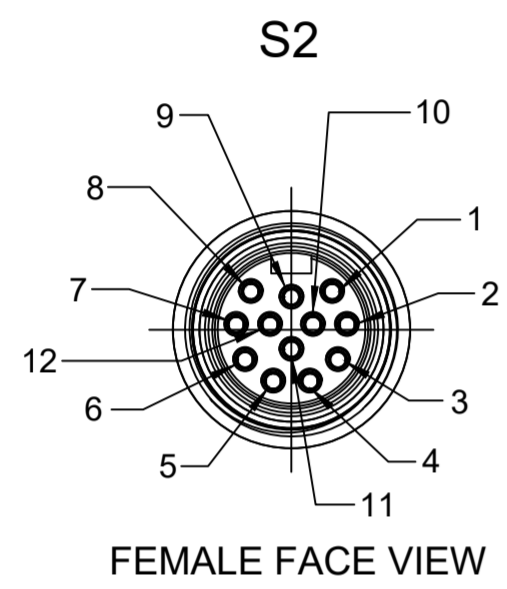
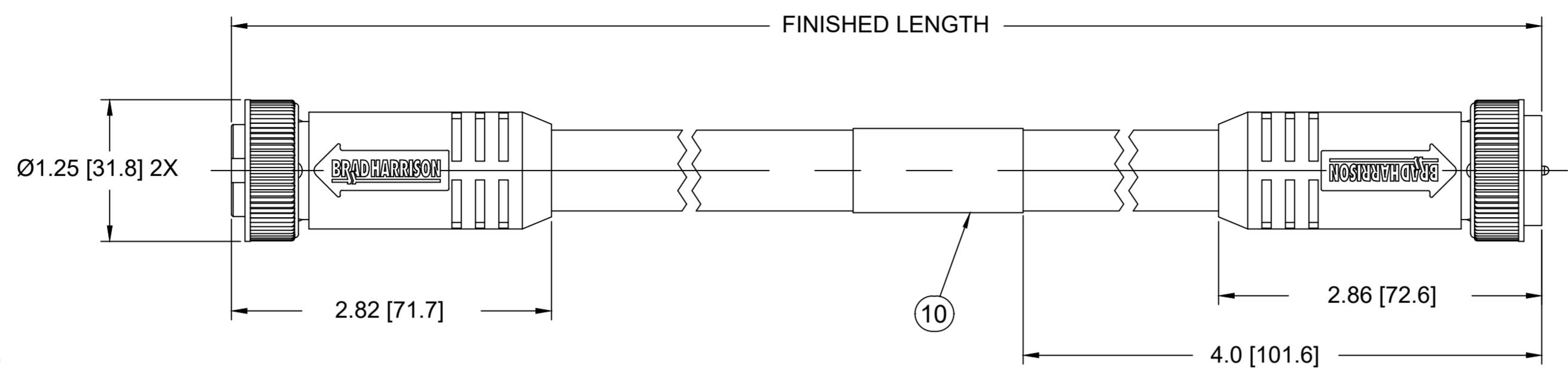
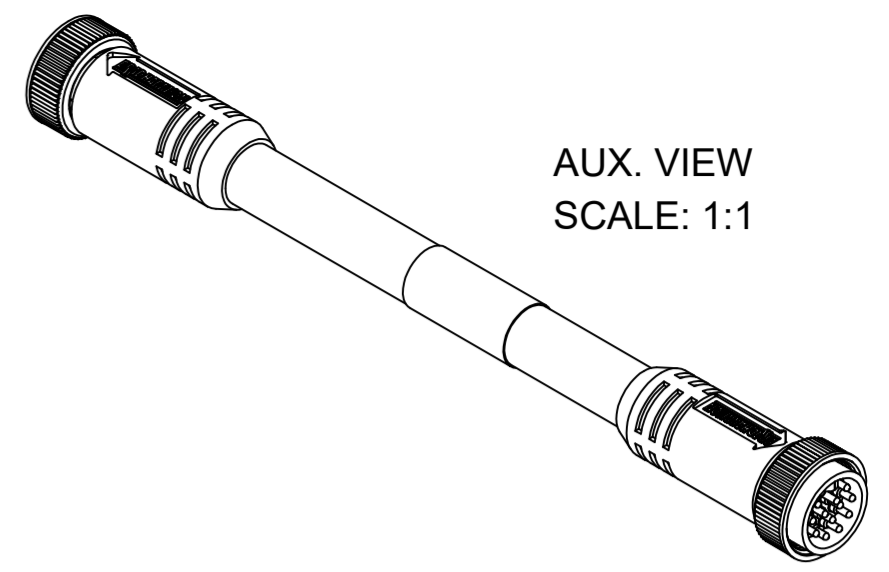


PART NO	ENGINEERING NO.	FINISHED LENGTH
1300120184	332020K04F120	12 FT [3.7M]
1300120211	332020K04M400	40M [131FT 2.8 IN]
1300120758	332020K04M800	80M [262FT 5.6 IN]



- NOTES:
- MATERIAL: AS NOTED
  - FINISH: AS NOTED
  - ELECTRICAL:  
VOLTAGE: 320V PER IEC60664  
600V PER UL2238  
CURRENT: 5A
  - TEMP RATING: -20°TO +90°C
  - PROTECTION: IP67 (WHEN MATED)
  - UL LISTED, FILE: E152210 (B2)
  - ALL DIMS ARE FOR REFERENCE UNLESS NOTED OTHERWISE

## PART NO. MATRIX 332020K04M010

LENGTH  
M010 - 1 METER  
M100 - 10 METER  
F050 - 5 FEET  
F500 - 50 FEET

S2		P1	
1	WHITE	1	
2	GREEN	2	
3	YELLOW	3	
4	GRAY	4	
5	PINK	5	
6	RED	6	
7	BLACK	7	
8	VIOLET	8	
9	GREEN/YELLOW	9	
10	BROWN	10	
11	BLUE	11	
12	GRAY/PINK	12	

WIRING DIAGRAM

CABLE LENGTH TOLERANCES

>.3M [1FT]:	+19mm-0 [+ .75in-0]
.3 - .9M [1 - 3FT]:	+44.5mm-0 [+1.75in-0]
.9 - 1.8M [3 - 6FT]:	+55.6mm-0 [+2.19in-0]
1.8 - 3.7M [6 - 12FT]:	+88.9mm-0 [+3.50in-0]
3.7 - 7.3M [12 - 24FT]:	+165.1mm-0 [+6.50in-0]
7.3-14.6M [24 - 48FT]:	+317.5mm-0 [+12.50in-0]
14.6 - 30.5M [48-100FT]:	+622.3mm-0 [+24.50in-0]
OVER 30M [100FT]	+2% OF FINISHED LENGTH

MECHANICAL CHARACTERISTICS:

TORSIONAL FLEX TEST	20 MILLION CYCLES PER MIL-C-13777G
BEND FLEX TEST	20 MILLION CYCLES PER MIL-C-13777G (B2)
WELD SLAG RESISTANCE	WOODHEAD STANDARD S-300

ITEM	DESCRIPTION	MATERIAL	FINISH
10	LABEL	VINYL	BLACK/YELLOW
9	PIN CONTACT	BRASS	GOLD PLATED
8	INSERT, MALE, 12 POLE	TPE	YELLOW
7	OVERMOLD	TPE	YELLOW
6	COUPLING NUT	ZINC DIE CAST	BLACK
5	FRICTION RING	NYLON	NATURAL
4	SOCKET CONTACT	BRASS	GOLD PLATED
3	SOCKET SLEEVE	STAINLESS STEEL	
2	INSERT, FEMALE, 12 POLE	TPE	YELLOW
1	CABLE, 16-12 HI FLEX	TPEJACKET	YELLOW

FUNCTIONAL SYMBOLS FA=0 FC=0 FP=0	THIS DRAWING CONTAINS INFORMATION THAT IS PROPRIETARY TO MOLEX ELECTRONIC TECHNOLOGIES, LLC AND SHOULD NOT BE USED WITHOUT WRITTEN PERMISSION			
	DIMENSION UNITS	SCALE	CURRENT REV DESC: ADDED MECHANICAL CHARACTERISTICS TABLE, UL IN NOTES AND MODIFIED MATERIAL TABLE.	
	INCH/MM	NTS		
	GENERAL TOLERANCES (UNLESS SPECIFIED)			
DIVISIONAL SYMBOLS		mm	INCH	EC NO: 641453
	4 PLACES	±----	±----	DRWN: ABENJAMINLW 2020/06/18
	3 PLACES	±----	±----	CHK'D: RSTONE 2020/07/20
	2 PLACES	±----	±----	APPR: BWOODMAN 2020/07/27
	1 PLACE	±----	±----	INITIAL REVISION:
	0 PLACES	±----	±----	DRWN: BARDEN 2015/08/12
	ANGULAR TOL	± ---- °		APPR: JFMURPHY 2015/08/12
DRAFT WHERE APPLICABLE MUST REMAIN WITHIN DIMENSIONS		THIRD ANGLE PROJECTION		DRAWING C-SIZE
				SERIES 130012
DOCUMENT STATUS P1		RELEASE DATE 2020/07/27 17:35:16	DOCUMENT NUMBER SD-130012-018	
			DOC TYPE/DOC PART/REVISION PSD 001 B2	
			MATERIAL NUMBER SEE_CHART	
			CUSTOMER GENERAL MARKET	
			SHEET NUMBER 1 OF 1	

## X-ON Electronics

Largest Supplier of Electrical and Electronic Components

*Click to view similar products for [Sensor Cables / Actuator Cables](#) category:*

*Click to view products by [Molex](#) manufacturer:*

Other Similar products are found below :

[60963](#) [60964](#) [M83513/19-F01CP](#) [703000D02F2002](#) [703001D02F0602](#) [703001D02F300](#) [704000D02F120](#) [773032K02F030](#) [802027107404-1](#)  
[802027213811-1](#) [804001A09M150](#) [805001A09M0502](#) [84914-0235](#) [84914-0237](#) [885030A09M020](#) [8R4J30E03C3003](#) [1200651332](#)  
[1200651713](#) [1200660844](#) [1200660845](#) [1200661173](#) [1200680071](#) [1200720053](#) [1200720081](#) [1200720099](#) [1200720217](#) [1200800231](#)  
[1200860125](#) [1200870123](#) [1200980102](#) [1200650267](#) [1200650298](#) [1200660183](#) [1200660782](#) [1200660849](#) [1200661295](#) [1200661297](#)  
[1200661342](#) [1200661343](#) [1200670080](#) [1200670220](#) [1200680331](#) [1200720252](#) [1200730184](#) [1200860344](#) [1200870359](#) [1200870643](#)  
[1200980008](#) [1200980031](#) [1210502211](#)