

| FACE VIEW-FEMALE INSERT | | | | |
|-------------------------|--|---|---|---|
| | | | | |
| 1-WHITE 2-BLACK | 1-GREEN / YELLOW 2-BLACK 3-WHITE | 1-BLACK 2-WHITE 3-RED 4-GREEN / YELLOW | 1-WHITE 2-RED 3-GREEN / YELLOW 4-ORANGE 5-BLACK | 1-WHITE 2-RED 3-GREEN / YELLOW 4-ORANGE 5-BLACK 6-BLUE |

PART NO. MATRIX

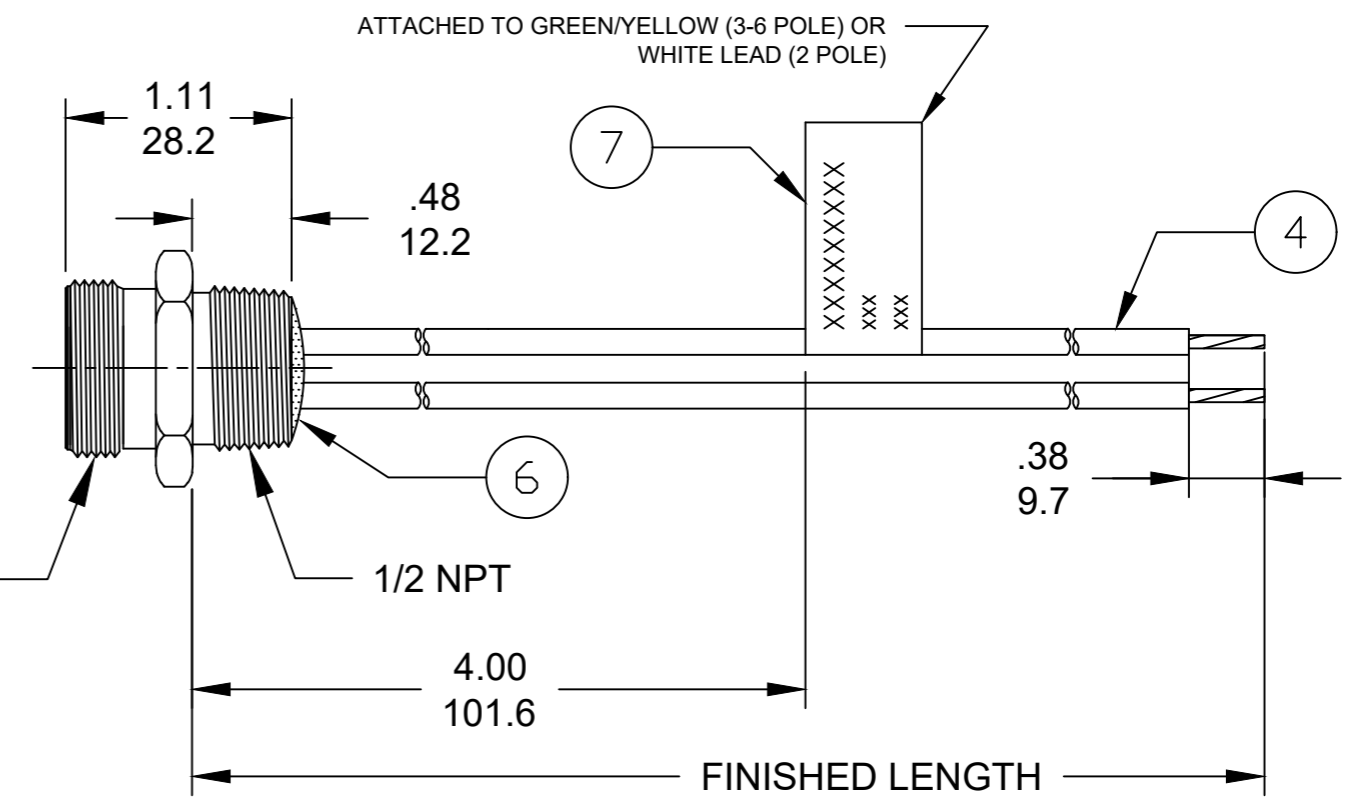
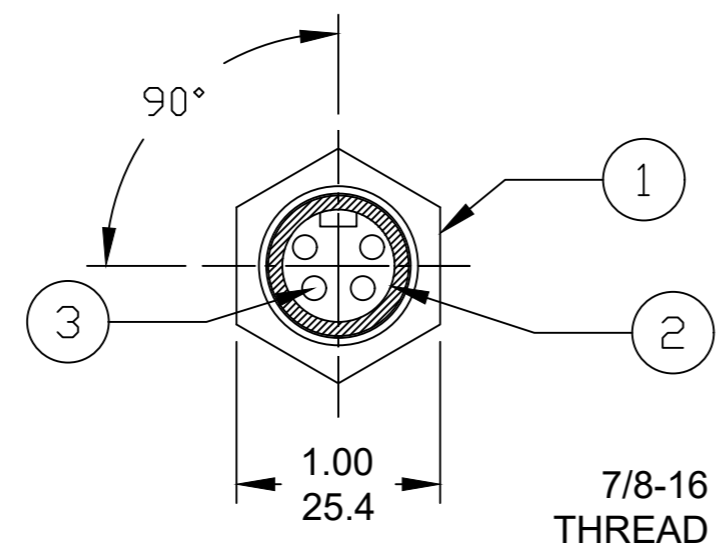
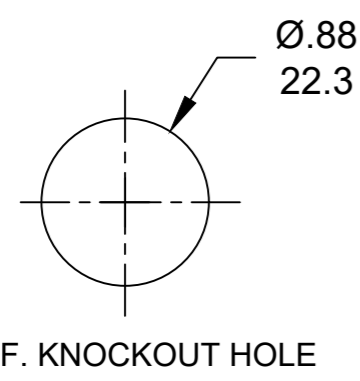
1R3004A20F020

↑ POLES 2-6 ↑ FINISHED LENGTH:
A120= 12 IN.
F020= 2 FEET
F100= 10 FEET

M005= 0.5 METER
M010= 1 METER
M100= 10 METER

CABLE LENGTH TOLERANCES

>.3M [1FT]: +19mm-0 [+.75in-0]
 .3 - .9M [1 - 3FT]: +44.5mm-0 [+1.75in-0]
 .9 - 1.8M [3 - 6FT]: +55.6mm-0 [+2.19in-0]
 1.8 - 3.7M [6 - 12FT]: +88.9mm-0 [+3.50in-0]
 3.7 - 7.3M [12 - 24FT]: +165.1mm-0 [+6.50in-0]
 7.3-14.6M [24 - 48FT]: +317.5mm-0 [+12.50in-0]
 14.6 - 30.5M [48-100FT]: +622.3mm-0 [+24.50in-0]
 OVER 30M [100FT] +2% OF FINISHED LENGTH



- NOTES:**
1. MATERIAL: SEE TABLE
 2. FINISH: SEE TABLE
 3. ELECTRICAL:
VOLTAGE: 2P THRU 6P 600V PER UL 2238
2 & 3P 500V PER IEC60664
4P 483V PER IEC60664
5 & 6P 400V PER IEC60664
CURRENT: 2P & 3P: 13A
4P: 10A
5P & 6P: 8A
 4. TEMP RATING: -20°TO +105°C
 5. PROTECTION: IP67 (WHEN MATED)
 6. UL RECOGNIZED, FILE: E152210
CSA CERTIFIED, FILE: LR6837 (B)
 7. ALL DIMENSIONS ARE FOR REFERENCE UNLESS TOLERANCED OR NOTED OTHERWISE

| PART NO | ENGINEERING NO. | FINISHED LENGTH |
|------------|-----------------|-------------------|
| 1300130060 | 1R2004A20A120 | 12 IN [0.3M] |
| 1300130148 | 1R3004A20F060 | 6 FT [1.8M] |
| 1300130457 | 1R5004A20F120 | 12 FT [3.6M] |
| 1300131011 | 1R6004A20M040 | 4.0M [13 FT 1 IN] |
| 1300130007 | 1R4004A20M060 | 6.0M [19 FT 8 IN] |

| ITEM | DESCRIPTION | MATERIAL | FINISH |
|------|------------------------|----------------|---------------|
| 6 | FLAG LABEL | VINYL | BLACK/YELLOW |
| 5 | POTTING MATERIAL | EPOXY | |
| 4 | WIRE, 16 AWG UL (1015) | PVC INSULATION | SEE FACE VIEW |
| 3 | CONTACT SOCKET | COPPER ALLOY | GOLD PLATED |
| 2 | FEMALE INSERT | TPE | YELLOW (B) |
| 1 | RECEPTACLE SHELL | ZINC DIE-CAST | BLACK |

THIS DRAWING CONTAINS INFORMATION THAT IS PROPRIETARY TO MOLEX ELECTRONIC TECHNOLOGIES, LLC AND SHOULD NOT BE USED WITHOUT WRITTEN PERMISSION

FUNCTIONAL SYMBOLS: F=0, E=0, P=0

DIMENSION UNITS: INCH/MM

SCALE: ---

GENERAL TOLERANCES (UNLESS SPECIFIED): 4 PLACES ±--- ±---

EC NO: 641453
 DRWN: ABENJAMINLW 2020/05/21
 CHK'D: RSTONE 2020/07/20
 APPR: BWOODMAN 2020/07/27

INITIAL REVISION:
 DRWN: RSTONE 2016/12/05
 APPR: BWOODMAN 2017/01/16

ANGULAR TOL ± 0.5°

DRAFT WHERE APPLICABLE MUST REMAIN WITHIN DIMENSIONS

THIRD ANGLE PROJECTION

DRAWING: B-SIZE

SERIES: 130066

MATERIAL NUMBER: SEE_CHART

CUSTOMER: GENERAL MARKET

SHEET NUMBER: 1 OF 1

molex

MINI-CHANGE RECEPTACLE, A-SIZE
 2-6P, FEMALE, STRAIGHT, SINGLE KEY,
 16 AWG

PRODUCT CUSTOMER DRAWING

DOCUMENT NUMBER: SD-130013-121

DOC TYPE: PSD

DOC PART: 001

REVISION: B

X-ON Electronics

Largest Supplier of Electrical and Electronic Components

Click to view similar products for [Sensor Cables / Actuator Cables](#) category:

Click to view products by [Molex](#) manufacturer:

Other Similar products are found below :

[60963](#) [60964](#) [703000D02F2002](#) [703001D02F0602](#) [703001D02F300](#) [704000D02F120](#) [773032K02F030](#) [802027107404-1](#) [802027213811-1](#)
[804001A09M150](#) [805001A09M0502](#) [84914-0235](#) [84914-0237](#) [885030A09M020](#) [8R4J30E03C3003](#) [1200651332](#) [1200651713](#) [1200660844](#)
[1200660845](#) [1200661173](#) [1200680071](#) [1200720053](#) [1200720081](#) [1200720099](#) [1200720217](#) [1200800231](#) [1200860125](#) [1200870123](#)
[1200980102](#) [1200650267](#) [1200650298](#) [1200660183](#) [1200660782](#) [1200660849](#) [1200661295](#) [1200661297](#) [1200661342](#) [1200661343](#)
[1200670080](#) [1200670220](#) [1200680331](#) [1200720252](#) [1200730184](#) [1200860344](#) [1200870359](#) [1200870643](#) [1200980008](#) [1200980031](#)
[1210502211](#) [1210400542](#)