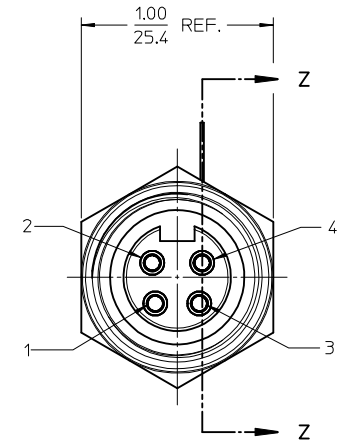
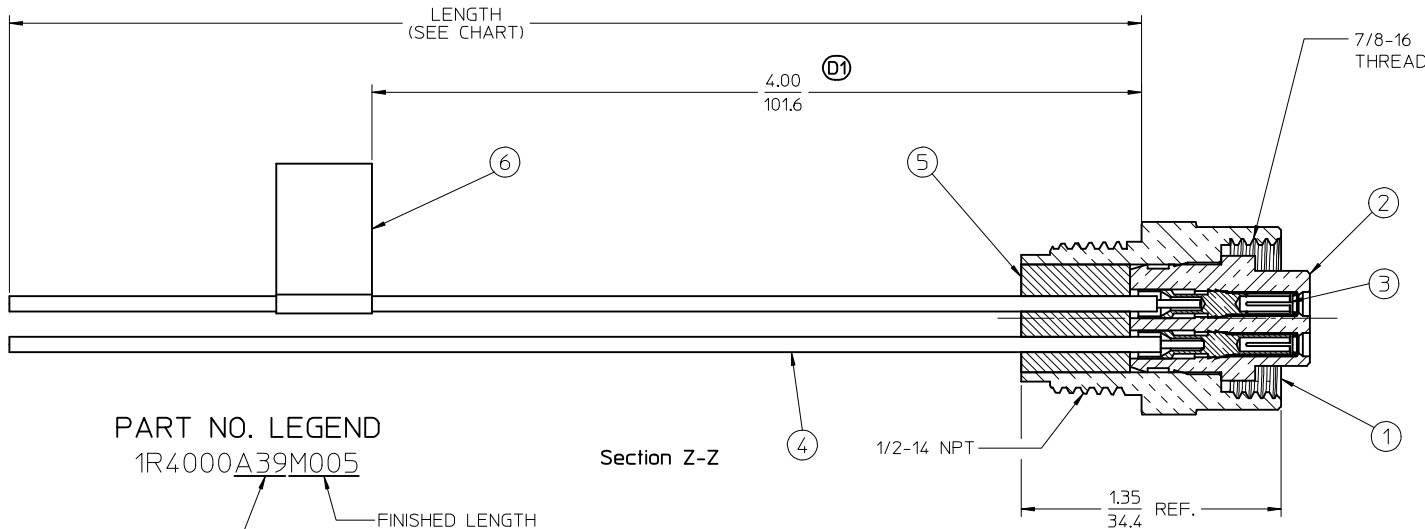
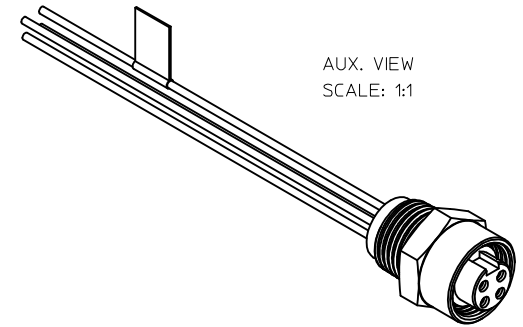


MATERIAL NO.	ENGINEERING NO.	LENGTH
1300130299	1R4000A39M005	0.5M
1300130300	1R4000A39M010	1.0M
1300130301	1R4000A39M020	2.0M

CABLE LENGTH TOLERANCES
 >.3M [1FT]: +19mm-0 [+1.75in-0]
 .3 - .9M [1 - 3FT]: +44.5mm-0 [+1.75in-0]
 .9 - 1.8M [3 - 6FT]: +55.6mm-0 [+2.19in-0]
 1.8 - 3.7M [6 - 12FT]: +88.9mm-0 [+3.50in-0]
 3.7 - 7.3M [12 - 24FT]: +165.1mm-0 [+6.50in-0]
 7.3-14.6M [24 - 48FT]: +317.5mm-0 [+12.50in-0]
 14.6 - 30.5M [48-100FT]: +622.3mm-0 [+24.50in-0]
 OVER 30M [100FT]: +2% OF FINISHED LENGTH



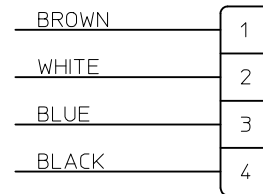
PART NO. LEGEND
 1R4000A39M005

WIRE TYPE: 16 AWG PVC

FINISHED LENGTH
 M005= 0.5 METER
 M010= 1 METER
 M100= 10 METERS

- NOTES:**
- MATERIAL: AS NOTED
 - FINISHES: AS NOTED
 - ELECTRICAL SPECIFICATIONS
 VOLTAGE RATING: 483V PER IEC60664
 600V PER UL2238
 CURRENT RATING: 10 AMPS
 - PROTECTION: IP67 (WHEN MATED)
 - TEMP RANGE: -20°C TO +105°C
 - AGENCY LISTING: E152210
 - DIMS SHOWN ARE FOR REFERENCE UNLESS NOTED OTHERWISE

WIRE DIAGRAM



PIN-OUT PER CENELEC COLOR CODE

ITEM	QTY.	DESCRIPTION	MATERIAL	FINISH
6	1	LABEL	VINYL	BLACK/YELLOW
5	1	POTTING MATERIAL	EPOXY	
4	4	WIRE, 16 AWG	PVC INSULATION	SEE WIRE DIAGRAM
3	4	CONTACT SOCKET & SLEEVE ASSY.	Cu ALLOY/ST.STEEL	GOLD PLATED
2	1	INSERT	PVC	YELLOW
1	1	RECEPTACLE SHELL	ZINC DIE-CAST	NICKEL PLATED

16V VOLTS WAS 370 WAS 800
 ADD LENGTH TOLS & CHART
 IEC NO: IFC2017-0940
 2017/04/10
 DRWRNSTONE
 CHKD:
 APPR: BWOODMAN 2017/06/06

QUALITY SYMBOLS
 ▽=0
 ▽=0

GENERAL TOLERANCES (UNLESS SPECIFIED)

	mm	INCH
4 PLACES	± .005	± .0005
3 PLACES	± .003	± .0003
2 PLACES	± .002	± .0002
1 PLACE	± .001	± .0001

ANGULAR ±1/2°

DRAFT WHERE APPLICABLE
 MUST REMAIN WITHIN DIMENSIONS

DIMENSION STYLE
 IN/MM

DRAWN BY R.STONE DATE 2009/08/25
 CHECKED BY B.WOODMAN DATE 2009/08/27
 APPROVED BY JFMURPHY DATE 2009/08/26

MATERIAL NO. -

SCALE 2:1 DESIGN UNITS INCH THIRD ANGLE PROJECTION

TITLE
**MINI-CHANGE, RECEPTACLE
 4P, FEMALE, 16 AWG**

MOLEX INCORPORATED

DOCUMENT NO. SD-130013-086 SHEET NO. 1 OF 1

THIS DRAWING CONTAINS INFORMATION THAT IS PROPRIETARY TO MOLEX INCORPORATED AND SHOULD NOT BE USED WITHOUT WRITTEN PERMISSION

X-ON Electronics

Largest Supplier of Electrical and Electronic Components

Click to view similar products for [Sensor Cables / Actuator Cables](#) category:

Click to view products by [Molex](#) manufacturer:

Other Similar products are found below :

[60963](#) [60964](#) [M83513/19-F01CP](#) [703000D02F2002](#) [703001D02F0602](#) [703001D02F300](#) [704000D02F120](#) [773032K02F030](#) [802027107404-1](#)
[802027213811-1](#) [804001A09M150](#) [805001A09M0502](#) [84914-0235](#) [84914-0237](#) [885030A09M020](#) [8R4J30E03C3003](#) [1200651332](#)
[1200651713](#) [1200660844](#) [1200660845](#) [1200661173](#) [1200680071](#) [1200720053](#) [1200720081](#) [1200720099](#) [1200720217](#) [1200800231](#)
[1200860125](#) [1200870123](#) [1200980102](#) [1200650267](#) [1200650298](#) [1200660183](#) [1200660782](#) [1200660849](#) [1200661295](#) [1200661297](#)
[1200661342](#) [1200661343](#) [1200670080](#) [1200670220](#) [1200680331](#) [1200720252](#) [1200730184](#) [1200860344](#) [1200870359](#) [1200870643](#)
[1200980008](#) [1200980031](#) [1210502211](#)