

MATERIAL NO.	ENGINEERING NO.	LENGTH
1300130299	1R4000A39M005	0.5M
1300130300	1R4000A39M010	1.0M
1300130301	1R4000A39M020	2.0M

**CABLE LENGTH TOLERANCES**

>.3M [1FT): +19mm-0 [+1.75in-0]

.3 - .9M [1 - 3FT): +44.5mm-0 [+1.75in-0]

.9 - 1.8M [3 - 6FT): +55.6mm-0 [+2.19in-0]

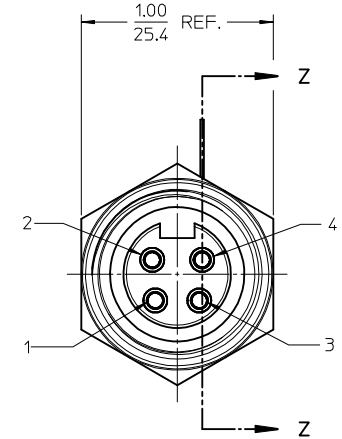
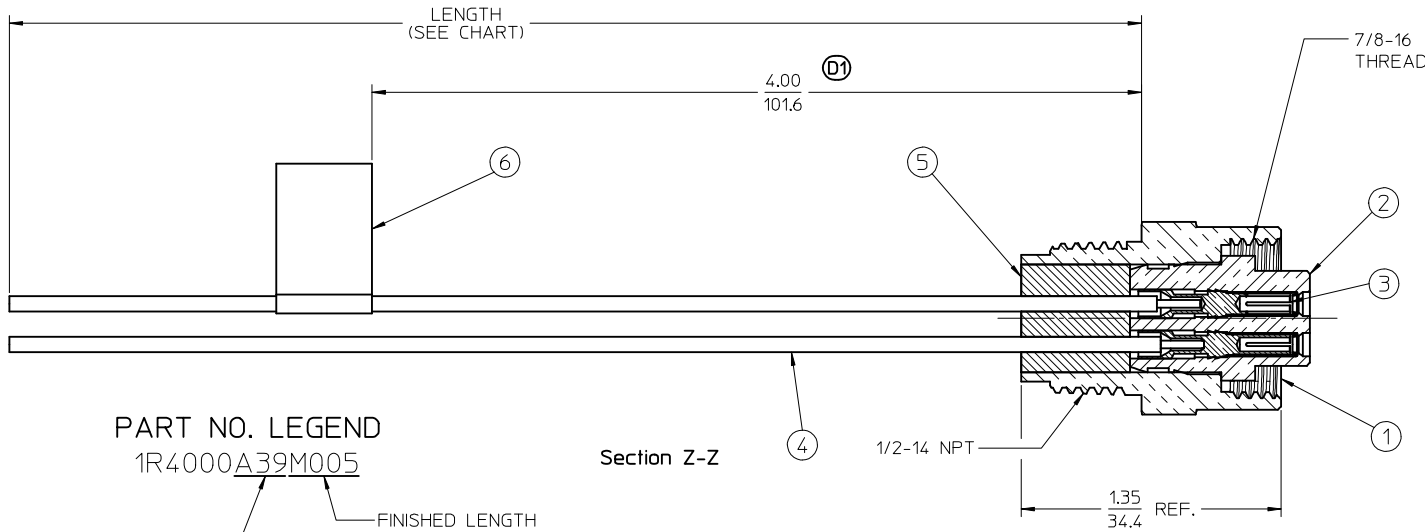
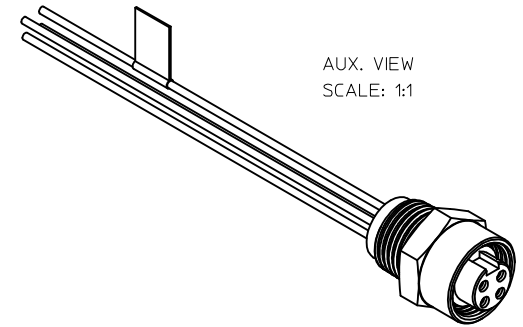
1.8 - 3.7M [6 - 12FT): +88.9mm-0 [+3.50in-0]

3.7 - 7.3M [12 - 24FT): +165.1mm-0 [+6.50in-0]

7.3-14.6M [24 - 48FT): +317.5mm-0 [+12.50in-0]

14.6 - 30.5M [48-100FT): +622.3mm-0 [+24.50in-0]

OVER 30M [100FT) +2% OF FINISHED LENGTH

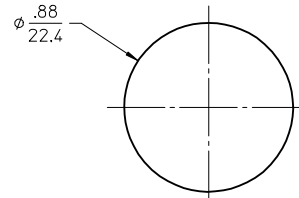


**PART NO. LEGEND**  
1R4000A39M005

WIRE TYPE: 16 AWG PVC

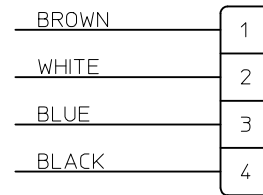
FINISHED LENGTH  
M005= 0.5 METER  
M010= 1 METER  
M100= 10 METERS

- NOTES:**
1. MATERIAL: AS NOTED
  2. FINISHES: AS NOTED
  3. ELECTRICAL SPECIFICATIONS  
VOLTAGE RATING: 483V PER IEC60664  
600V PER UL2238  
CURRENT RATING: 10 AMPS
  4. PROTECTION: IP67 (WHEN MATED)
  5. TEMP RANGE: -20°C TO +105°C
  6. AGENCY LISTING: E152210
  7. DIMS SHOWN ARE FOR REFERENCE UNLESS NOTED OTHERWISE



KNOCKOUT HOLE

WIRE DIAGRAM



PIN-OUT PER CENELEC COLOR CODE

ITEM	QTY.	DESCRIPTION	MATERIAL	FINISH
6	1	LABEL	VINYL	BLACK/YELLOW
5	1	POTTING MATERIAL	EPOXY	
4	4	WIRE, 16 AWG	PVC INSULATION	SEE WIRE DIAGRAM
3	4	CONTACT SOCKET & SLEEVE ASSY.	Cu ALLOY/ST.STEEL	GOLD PLATED
2	1	INSERT	PVC	YELLOW
1	1	RECEPTACLE SHELL	ZINC DIE-CAST	NICKEL PLATED

REV	DESCRIPTION	DATE
D1	ADD LENGTH TOLS & CHART	2017/04/10
	DRWR:RSTONE	2017/04/10
	CHKD: BWOODMAN	2017/06/06
	APPR: BWOODMAN	2017/06/06

QUALITY SYMBOLS	DESCRIPTION
▽=0	
▽=0	

GENERAL TOLERANCES (UNLESS SPECIFIED)	
mm	INCH
4 PLACES ± ---	± ---
3 PLACES ± ---	± ---
2 PLACES ± ---	± .01
1 PLACE ± 0.3	± ---
ANGULAR ± 1/2°	
DRAFT WHERE APPLICABLE MUST REMAIN WITHIN DIMENSIONS	

DIMENSION STYLE		SCALE	DESIGN UNITS	THIRD ANGLE PROJECTION
IN/MM		2:1	INCH	
DRAWN BY	DATE	TITLE		
R.STONE	2009/08/25	MINI-CHANGE, RECEPTACLE 4P, FEMALE, 16 AWG		
CHECKED BY	DATE	APPROVED BY		
B.WOODMAN	2009/08/27	JFMURPHY		
APPROVED BY	DATE	MATERIAL NO.		
JFMURPHY	2009/08/26	-		
DOCUMENT NO.		SHEET NO.		
SD-130013-086		1 OF 1		

MOLEX INCORPORATED	
THIS DRAWING CONTAINS INFORMATION THAT IS PROPRIETARY TO MOLEX INCORPORATED AND SHOULD NOT BE USED WITHOUT WRITTEN PERMISSION	

## X-ON Electronics

Largest Supplier of Electrical and Electronic Components

*Click to view similar products for [Sensor Cables / Actuator Cables](#) category:*

*Click to view products by [Molex](#) manufacturer:*

Other Similar products are found below :

[60963](#) [60964](#) [703000D02F2002](#) [703001D02F0602](#) [703001D02F300](#) [704000D02F120](#) [773032K02F030](#) [802027107404-1](#) [802027213811-1](#)  
[804001A09M150](#) [805001A09M0502](#) [84914-0235](#) [84914-0237](#) [885030A09M020](#) [8R4J30E03C3003](#) [1200651332](#) [1200651713](#) [1200660844](#)  
[1200660845](#) [1200661173](#) [1200680071](#) [1200720053](#) [1200720081](#) [1200720099](#) [1200720217](#) [1200800231](#) [1200860125](#) [1200870123](#)  
[1200980102](#) [1200650267](#) [1200650298](#) [1200660183](#) [1200660782](#) [1200660849](#) [1200661295](#) [1200661297](#) [1200661342](#) [1200661343](#)  
[1200670080](#) [1200670220](#) [1200680331](#) [1200720252](#) [1200730184](#) [1200860344](#) [1200870359](#) [1200870643](#) [1200980008](#) [1200980031](#)  
[1210502211](#) [1210400542](#)