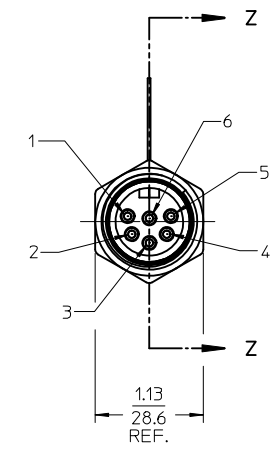
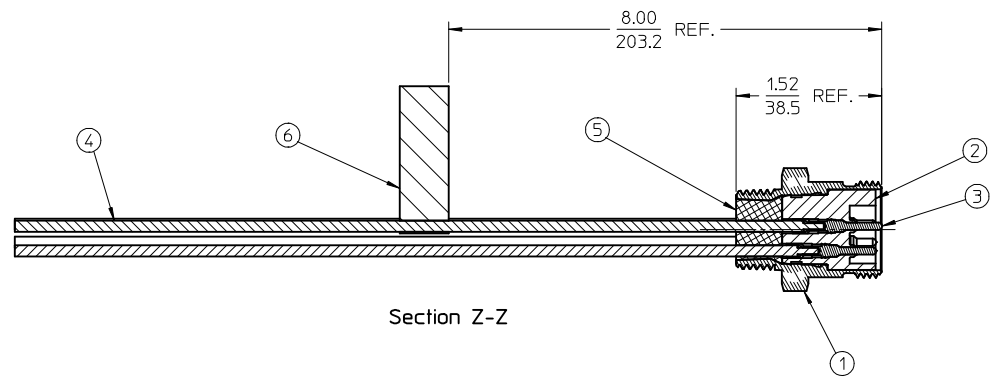
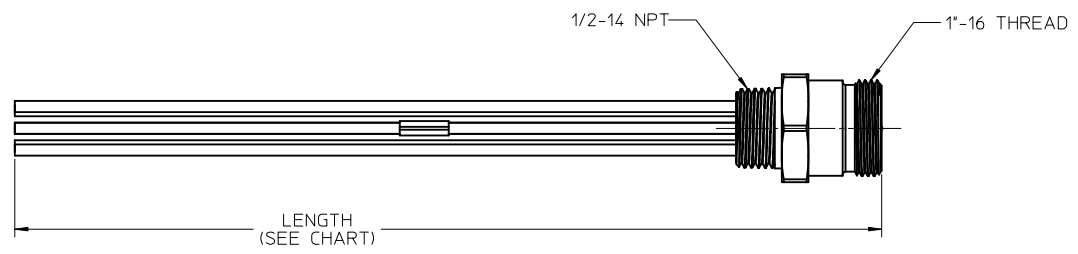
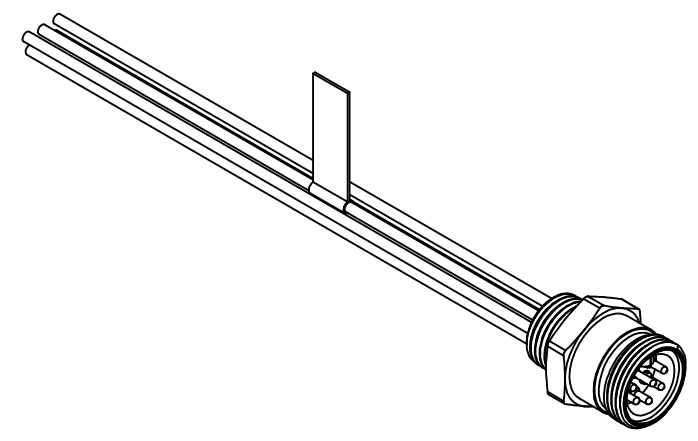
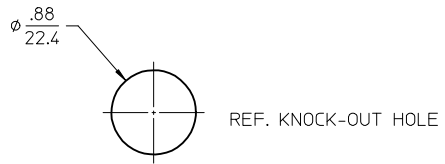


MATERIAL NO.	ENGINEERING NO.	LENGTH
1300140025	2R6006A20A120	12' +.75-0 [305mm +19.0-0]
1300140029	2R6006A20F030	3'0" +1.75-0 [ .9M +44.5-0]
1300140032	2R6006A20F060	6'0" +2.19-0 [ 1.8M +55.6-0]



1	ORANGE
2	BLUE
3	BLACK
4	WHITE
5	RED
6	GREEN/YELLOW

- NOTES:
- MATERIAL: SEE TABLE
  - FINISHES: SEE TABLE
  - MATES WITH: 6/C MINI-CHANGE CORD ASSY.
  - ELECTRICAL SPECIFICATIONS:  
VOLTAGE RATING: 600V AC/DC  
CURRENT RATING: 8 AMPS
  - RoHS COMPLIANT

ITEM	QTY.	DESCRIPTION	MATERIAL	FINISH
6	1	LABEL	PLASTIC FILM	BLACK/YELLOW
5	1	POTTING	EPOXY	
4	6	WIRE, 16 AWG (UL 1015)	PVC INSULATED	SEE WIRE DIAGRAM
3	6	CONTACT PIN	BRASS	GOLD PLATED
2	1	INSERT	PVC	YELLOW
1	1	RECEPTACLE SHELL	ZINC ALLOY	E-COAT, BLACK

RELEASED  
EC NO: MNA2009-0655  
DRAWN BY: DRWINRSTONE 2009/04/03  
CHKD BY: WOODMAN  
APPR: J. MURPHY 2009/04/08

QUALITY SYMBOLS  
▽=0  
▽=0

GENERAL TOLERANCES (UNLESS SPECIFIED)

	mm	INCH
4 PLACES	± .005	± .0005
3 PLACES	± .005	± .0005
2 PLACES	± .01	± .001
1 PLACE	± 0.3	± .012

ANGULAR ±1/2°

DRAFT WHERE APPLICABLE MUST REMAIN WITHIN DIMENSIONS

DIMENSION STYLE  
IN/MM

DRAWN BY: R. STONE DATE: 2009/04/03

CHECKED BY: B. WOODMAN DATE: 2009/04/03

APPROVED BY: J. MURPHY DATE: 2009/04/07

MATERIAL NO. SEE CHART

SCALE 1:1

DESIGN UNITS INCH

THIRD ANGLE PROJECTION

TITLE  
MINI-CHANGE RECEPTACLE  
MALE, 6 POLE  
1/2 IN NPT

MOLEX INCORPORATED

DOCUMENT NO. SD-130014-001

SHEET NO. 1 OF 1

THIS DRAWING CONTAINS INFORMATION THAT IS PROPRIETARY TO MOLEX INCORPORATED AND SHOULD NOT BE USED WITHOUT WRITTEN PERMISSION

M100= 1 METER  
M100= 10 METER

3 BLACK	5 WHITE	5 WHITE/BLACK
4 WHITE	4 RED	4 BLACK
5 RED	5 ORANGE	5 WHITE
6 GREEN/YELLOW	6 BLUE	6 RED
	7 GREEN/YELLOW	7 GREEN/YELLOW
		8 RED/BLACK

D

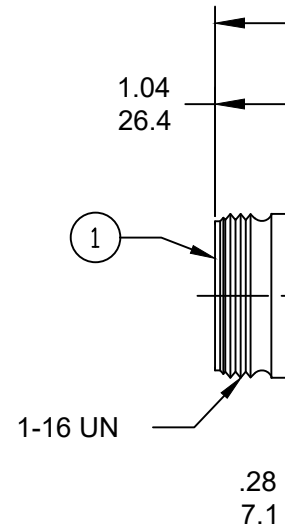
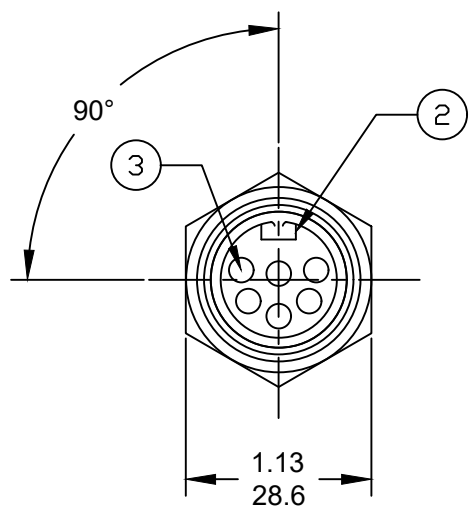
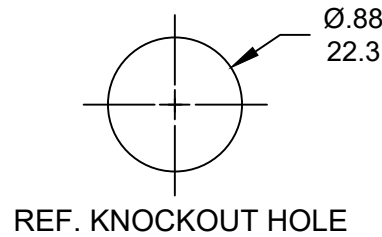
C

B

A

NOTES:

1. MATERIAL: AS NOTED
2. FINISH: AS NOTED
3. ELECTRICAL:  
 VOLTAGE: 6 THRU 8P 600V PER UL 2238  
 6P 400V PER IEC 60664  
 7 & 8P 320V PER IEC 60664  
 CURRENT: 6 & 7 POLE: 8A  
 8 POLE: 7A
4. TEMP RATING: -20°TO +105°C
5. PROTECTION: IP67 (WHEN MATED)
6. UL LISTED, FILE: E152210  
 CSA CERTIFIED, FILE: LR6837 (B)
7. ALL DIMENSIONS ARE FOR REFERENCE UNLESS TOLERANCED OR NOTED OTHERWISE



6	LABEL	VINYL	BLACK/YELLOW
5	POTTING MATERIAL	EPOXY	
4	WIRE, 16 AWG UL (1015)	PVC INSULATION	SEE FACE VIEW
3	CONTACT PIN	COPPER ALLOY	GOLD PLATED
2	INSERT	TPE	YELLOW
1	RECEPTACLE SHELL	ZINC DIE-CAST	BLACK
ITEM	DESCRIPTION	MATERIAL	FINISH

(B)

FUNCTIONAL SYMBOLS
$F_A=0$
$F_E=0$
$F_P=0$
DIVISIONAL SYMBOLS

## X-ON Electronics

Largest Supplier of Electrical and Electronic Components

*Click to view similar products for [DC Power Cords](#) category:*

*Click to view products by [Molex](#) manufacturer:*

Other Similar products are found below :

[172-4000](#) [172-4101](#) [172-7443-E](#) [21033836407](#) [2J-1865A](#) [2R7006A20A120](#) [426055400-3](#) [MN47A4BC01M010](#) [H-OU-2](#) [CA0002](#)  
[420680840-3](#) [426451500-3](#) [P162PT4-36](#) [1-832692-4](#) [FJ-VSP 3M](#) [96CB-POWER-B-1.8M2](#) [426040200](#) [CA0006](#) [H-OU-27](#) [1700019464](#) [FJ-](#)  
[VSP 10M](#) [MN47B4BC01M040](#) [H-OU-20](#) [2-836917-8](#) [867566-1](#) [804001P03M050G](#) [2050KH1-BK](#) [426013710-3](#) [58257-1069](#) [216603-0037](#)  
[1011147](#) [1011324](#) [1012028](#) [862545-5](#) [BXC-10567](#) [172-2555](#) [32102-022800-200-RS](#) [P29000-M2](#) [P29004-M2](#) [DC.CAB.0201.0150](#)  
[DC.CAB.0301.0150](#) [DC.CAB.0610.0150](#) [DC.CAB.0700.0150](#) [DC.CAB.1000.0150](#) [DC.CAB.1000.0300](#) [DC.CAB.1100.0150](#)  
[DC.CAB.1400.0150](#) [DC.CAB.1410.0150](#) [DC.CAB.1500.0150](#) [DC.CAB.1811.0150](#)