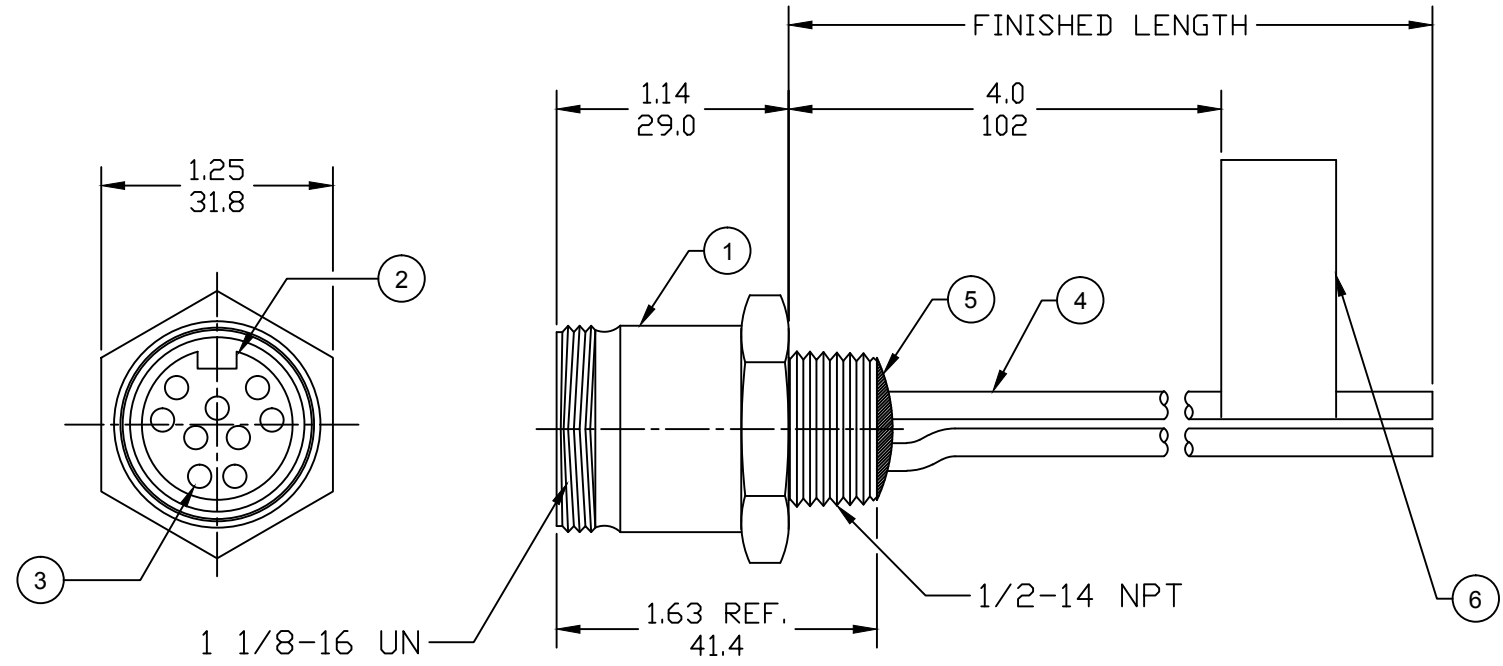
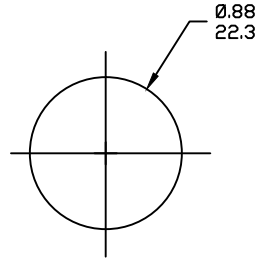


FACE VIEW-MALE INSERT		
1 ORANGE 2 BLUE 3 RED/BLACK 4 GREEN/BLACK 5 WHITE 6 RED 7 GREEN/YELLOW 8 WHITE/BLACK 9 BLACK	1 ORANGE 2 BLUE 3 WHITE/BLACK 4 RED/BLACK 5 GREEN/BLACK 6 ORANGE/BLACK 7 RED 8 GREEN/YELLOW 9 BLACK 10 WHITE	1 ORANGE 2 BLUE 3 WHITE/BLACK 4 RED/BLACK 5 GREEN/BLACK 6 ORANGE/BLACK 7 BLUE/BLACK 8 BLACK/WHITE 9 GREEN/YELLOW 10 RED 11 WHITE 12 BLACK



(A1) CHART

PART NO.	ENGINEERING NO.	FINISHED LENGTH
1300150137	3R9006A20A120	12IN
1300150046	3R1006A20F020	2.0FT
1300150086	3R2006A20M005	0.5M



**PART NUMBER LEGEND**

3R1006A20F0101

- COUPLING: BLANK= STD (SEE BDM)
- 1= 303 STAINLESS ST.
- LENGTH:
  - A120= 12 INCHES
  - F001= .1 FT
  - F020= 2 FT
  - F200= 20 FT
- M005= 0.5 METER
- M010= 1 METER
- M100= 10 METER

POLES:  
 9= 9 POLES  
 1=10 POLES  
 2=12 POLES

(A1) CABLE LENGTH TOLERANCES

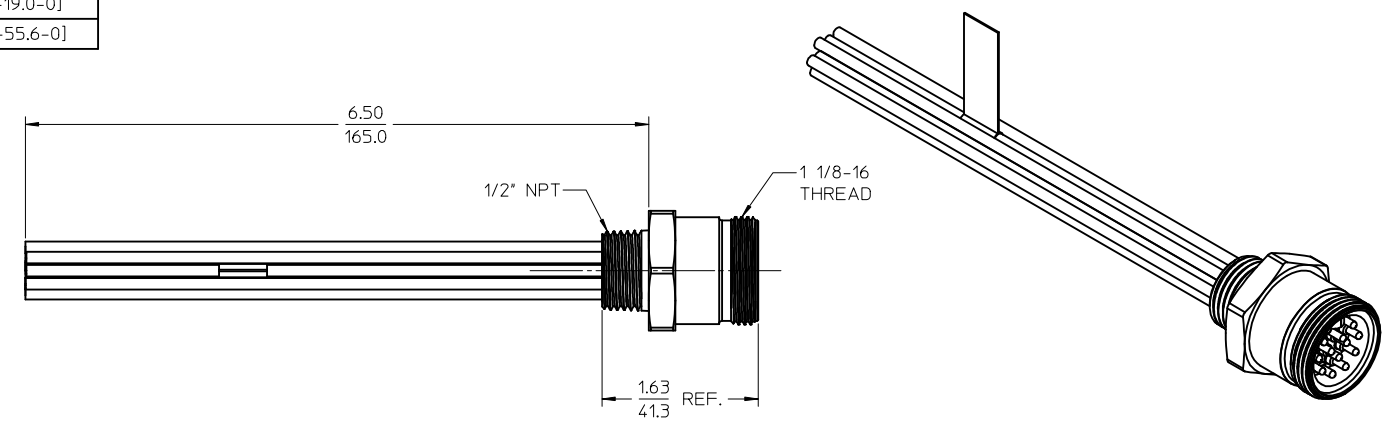
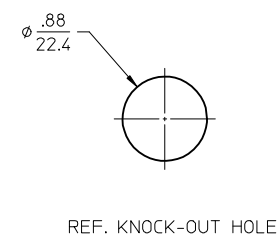
>.3M [1FT]:	+19mm-0 [+1.75in-0]
.3 - .9M [1 - 3FT]:	+44.5mm-0 [+1.75in-0]
.9 - 1.8M [3 - 6FT]:	+55.6mm-0 [+2.19in-0]
1.8 - 3.7M [6 - 12FT]:	+88.9mm-0 [+3.50in-0]
3.7 - 7.3M [12 - 24FT]:	+165.1mm-0 [+6.50in-0]
7.3-14.6M [24 - 48FT]:	+317.5mm-0 [+12.50in-0]
14.6 - 30.5M [48-100FT]:	+622.3mm-0 [+24.50in-0]
OVER 30M [100FT]	+2% OF FINISHED LENGTH

- NOTES:**
- MATERIAL: AS NOTED
  - FINISH: AS NOTED
  - ELECTRICAL:
    - (A1) VOLTAGE: 320V PER IEC60664  
600V PER UL2238
    - CURRENT: 9 POLE: 7A  
10 POLE: 7A  
12 POLE: 5A
    - 4. TEMP RATING: -20°TO +105°C
    - 5. PROTECTION: IP67 (WHEN MATED)
    - (A1) 6. UL RECOGNIZED, FILE: E152210
    - 7. DIMS ARE FOR REFERENCE UNLESS OTHERWISE NOTED

ITEM	DESCRIPTION	MATERIAL	FINISH
6	FLAG LABEL	VINYL	BLACK/YELLOW
5	POTTING MATERIAL	EPOXY	
4	WIRE, 16 AWG UL (1015)	PVC INSULATION	SEE CHART
3	CONTACT PIN	COPPER ALLOY	GOLD PLATED
2	MALE INSERT (C-SIZE)	PVC	YELLOW
1	RECEPTACLE SHELL	ZINC DIE-CAST	BLACK

REV'D IEC VOLTS, ADD UL FILE, CHART & TOLS EC NO: IPG2017-1018 DRWN: RSTONE 5/11/17 CHK'D: M ZIELIN 2017/05/08 APPR: BWOODMAN 2017/02/02	DESCRIPTION REV	<b>QUALITY SYMBOLS</b> ▽=0 ◻=0	<b>GENERAL TOLERANCES (UNLESS SPECIFIED)</b> mm INCH 4 PLACES ±--- ±--- 3 PLACES ±--- ±--- 2 PLACES ±--- ±--- 1 PLACE ±--- ±--- ANGULAR ±---°	<b>DIMENSION STYLE</b> IN/MM	SCALE --- DESIGN UNITS INCH	THIRD ANGLE PROJECTION
		DRAWN BY DATE RSTONE 2016/12/08	CHECKED BY DATE M ZIELIN 2017/05/08	<b>MINI-CHANGE RECEPTACLE 9, 10, &amp; 12P MALE 16 AWG</b>		
		APPROVED BY DATE BWOODMAN 2017/02/02	MATERIAL NO. --- DOCUMENT NO. SD-130015-027	SHEET NO. 1 OF 1		
		DRAFT WHERE APPLICABLE MUST REMAIN WITHIN DIMENSIONS			SIZE B THIS DRAWING CONTAINS INFORMATION THAT IS PROPRIETARY TO MOLEX INCORPORATED AND SHOULD NOT BE USED WITHOUT WRITTEN PERMISSION	

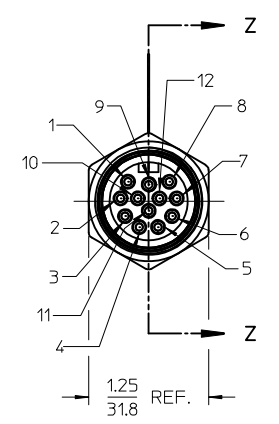
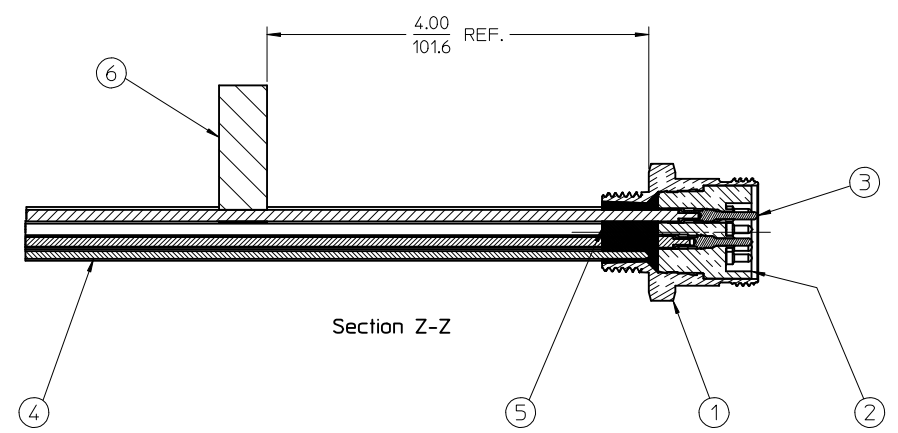
MATERIAL NO.	ENGINEERING NO.	LENGTH
1300150076	3R2006A20A120	12' +.75-0 [305mm +19.0-0]
1300150082	3R2006A20F060	6'0" +.219-0 [ 1.8M +55.6-0]



- NOTES:
1. MATERIAL: SEE TABLE
  2. FINISHES: SEE TABLE
  3. MATES WITH: NONE
  4. ELECTRICAL SPECIFICATIONS:  
VOLTAGE RATING: 600V AC/DC  
CURRENT RATING: 5 AMPS
  5. RoHS COMPLIANT

Color	Wire Color
1	ORANGE
2	BLUE
3	WHITE-BLACK
4	RED-BLACK
5	GREEN-BLACK
6	ORANGE-BLACK
7	BLUE-BLACK
8	BLACK-WHITE
9	GREEN-YELLOW
10	RED
11	WHITE
12	BLACK

WIRING DIAGRAM



ITEM	QTY.	DESCRIPTION	MATERIAL	FINISH
6	1	LABEL	PLASTIC FILM	BLACK/YELLOW
5	1	POTTING	EPOXY	
4	12	WIRE, 16 AWG (UL 1015)	PVC INSULATED	SEE WIRE DIAGRAM
3	12	CONTACT PIN	BRASS	GOLD PLATED
2	1	INSERT	PVC	YELLOW
1	1	RECEPCTACLE SHELL	ZINC ALLOY	BLACK

RELEASED EC NO: WNA2010-0101 DRAWN BY: R.STONE 2009/08/17 CHKD BY: WOODMAN APPR: J.MURPHY 2009/08/21	QUALITY SYMBOLS	GENERAL TOLERANCES (UNLESS SPECIFIED)	DIMENSION STYLE IN/MM	SCALE 1:1	DESIGN UNITS INCH	THIRD ANGLE PROJECTION	
	$\nabla=0$ $\nabla=0$	4 PLACES ±.01 ±.01 3 PLACES ±.01 ±.01 2 PLACES ±.01 ±.01 1 PLACE ±0.3 ±.01 ANGULAR ±1/2°	DRAWN BY: R.STONE 2009/08/17 CHECKED BY: B.WOODMAN 2009/08/17 APPROVED BY: J.MURPHY 2009/08/20	TITLE	MC RECEPTACLE, MALE 12 POLE, 1/2" NPT		
	DRAFT WHERE APPLICABLE MUST REMAIN WITHIN DIMENSIONS		SEE CHART	MOLEX INCORPORATED		DOCUMENT NO. SD-130015-006	
			THIS DRAWING CONTAINS INFORMATION THAT IS PROPRIETARY TO MOLEX INCORPORATED AND SHOULD NOT BE USED WITHOUT WRITTEN PERMISSION		SHEET NO. 1 OF 1		

## X-ON Electronics

Largest Supplier of Electrical and Electronic Components

*Click to view similar products for [Circular Metric Connectors](#) category:*

*Click to view products by [Molex](#) manufacturer:*

Other Similar products are found below :

[600X518037X](#) [6STD15PCR99B70A](#) [8R4000A16M020](#) [8R5000A16M005](#) [1200910002](#) [1203580030](#) [1200910008](#) [1200910011](#) [1300140094](#)  
[130203-0054](#) [1300140026](#) [1300150099](#) [RF-12S1N8A90DU](#) [1-3637-600-5205](#) [1612618](#) [21036836414](#) [8R4006A16M010](#) [1604232](#)  
[1R3006A20M005](#) [RF-12P1N8A90DU](#) [41-40011](#) [42-00006](#) [42-01015](#) [4-22279-4](#) [4-22281-1](#) [4-22284-9](#) [43-00113](#) [43-01088](#) [43-01203](#) [41-](#)  
[40013](#) [42-00008](#) [43-00343](#) [43-01026](#) [43-01162](#) [43-01173](#) [43-10000](#) [XS3P-M421-2](#) [600X518050X](#) [SACC-DSI-FS-5P-PG9-L180 SC](#)  
[8R5006A16M020](#) [8R5006A16M005](#) [8R4000A16M010](#) [6-22279-3](#) [1605332](#) [N03FA03144](#) [1300140077](#) [43-16213](#) [43-01338](#) [XS2RD4265](#)  
[XS2R-D426-1](#)